



**Economic and Social
Council**

Distr.
GENERAL

TRANS/WP.30/AC.2/2000/13
TRANS/WP.30/2000/19
4 August 2000

Original: ENGLISH

ECONOMIC COMMISSION FOR EUROPE

Working Party on Customs Questions affecting Transport
(Ninety-sixth session, 16-20 October 2000,
agenda item 6 (d) (iii))

Administrative Committee for the TIR Convention 1975
(Twenty-seventh session, 19 and 20 October 2000
agenda item 7 (b))

**CUSTOMS CONVENTION ON THE INTERNATIONAL TRANSPORT OF GOODS
UNDER COVER OF TIR CARNETS (TIR CONVENTION 1975)**

Application of the Convention

Validity of vehicles and containers with sliding sheets

Note by the UN/ECE secretariat

1. Following the considerations of the Working Party at its ninety-fifth session (19-23 June 2000) (TRANS/WP.30/190, paras. 43-48), the UN/ECE secretariat has in this document compiled the amendment proposals prepared by an informal group of experts convened by the UN/ECE secretariat following a decision by the Working Party at its ninety-fourth session (TRANS/WP.30/188, para. 57).
2. The amendment proposals are contained in documents TRANS/WP.30/2000/14, TRANS/WP.30/2000/14/Add.1 and TRANS/WP.30/2000/Add.1/Corr.1.

3. The Working Party has already, at its ninety-fifth session, agreed in principle with the approach taken by the expert group but decided to review briefly the amendment proposals at its ninety-sixth session before transmitting them to the TIR Administrative Committee. Also the Working Party requested the UN/ECE secretariat to add additional sketches to the proposed amendments showing clearly the overall construction of both vehicles and containers with sliding sheets (TRANS/WP.30/190, para. 47).

4. In accordance with the request of the Working Party, the secretariat has prepared the amendment proposals to Annexes 2 and 7 of the Convention as provided below for review by the Working Party and the TIR Administrative Committee. Following its adoption by the Administrative Committee, the UN/ECE secretariat will transmit these amendment proposals to the Secretary-General of the United Nations who will communicate them to all Contracting Parties to the Convention.

* * *

AMENDMENT PROPOSALS TO THE TIR CONVENTION, 1975

for consideration by

the Administrative Committee for the TIR Convention, 1975

Annex 2, Article 3, paragraph 11 (a)

After the last sentence of Article 3, paragraph 11 (a) insert a new sentence to read as follows:

“Neither shall a flap be required for vehicles with sliding sheets.”

Annex 2, new Article 4

Insert a new Article 4 to read as follows:

“Article 4

Vehicles with sliding sheets

1. Where applicable, the provisions of Articles 1, 2 and 3 of these Regulations shall apply to vehicles with sliding sheets. In addition, these vehicles shall conform to the provisions of this Article.

2. Notwithstanding the provisions of paragraph 3 of this Article, the sliding sheets, floor, doors and all other constituent parts of the load compartment shall fulfil either the requirements in Annex 2, Article 3, paragraphs 6, 8, 9 and 11 or the requirements set out in (i) to (vi) below.

- (i) The sliding sheets, floor, doors and all other constituent parts of the load compartment shall be assembled in such a way that they cannot be opened or closed without leaving obvious traces.
- (ii) The sheet shall overlap the solid parts at the top of the vehicle by at least 1/4 of the actual distance between the tensioning straps. The sheet shall overlap the solid parts at the bottom of the vehicle by at least 50 mm. The horizontal opening between the sheet and the solid parts of the load compartment may not exceed 10 mm measured perpendicular to the longitudinal axis of the vehicle at any place when the load compartment is secured and sealed for Customs purposes.
- (iii) The sliding sheet guidance and other movable parts shall be assembled in such a way that closed and Customs sealed doors and other movable parts cannot be opened or closed from the outside without leaving obvious traces. The sliding sheet guidance and other movable parts shall be assembled in such a way that it is impossible to gain access to the load compartment without leaving obvious traces. The system is described in sketch No. 10 appended to these Regulations.
- (iv) The horizontal distance between the rings, used for Customs purposes, on the solid parts of the vehicle shall not exceed 200 mm. The space may, however, be greater but shall not exceed 300 mm between the rings on either side of the upright if the construction of the vehicle and the sheets is such as preventing all access to the load compartment. In any case, the conditions laid down in (ii) above shall be complied with.
- (v) The distance between the tensioning straps shall not exceed 600 mm.
- (vi) The fastenings used to secure the sheets to the solid parts of the vehicle shall fulfil the requirements in Annex 2, Article 3, paragraph 9.

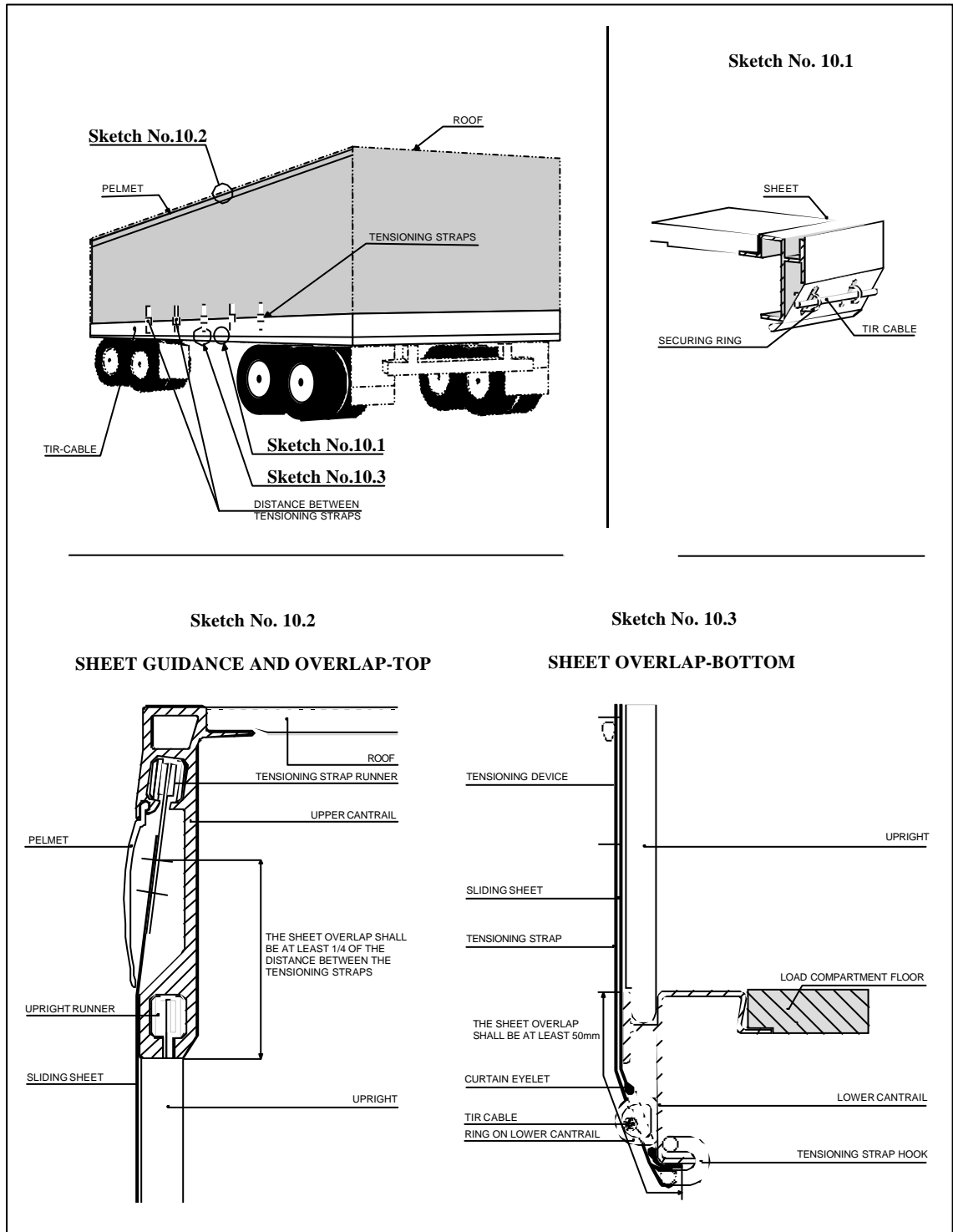
3. If a construction for vehicles with sliding sheets is used which cannot meet all the provisions of paragraph 2 of this Article, this construction must produce a structure in which goods can be neither removed from nor introduced into the sealed part of the vehicle, and the structure cannot be modified without leaving obvious traces.”

Add the following new sketch to the existing sketches appended to Annex 2:

“

Sketch No. 10

**SHEET GUIDANCE SYSTEM AND LOCKING SYSTEM AT OPENINGS FOR
LOADING AND UNLOADING FOR VEHICLES WITH SLIDING SHEETS**



Annex 7, Article 4, paragraph 11 (a)

After the last sentence of Article 4, paragraph 11 (a) insert a new sentence to read as follows:

“Neither shall a flap be required for containers with sliding sheets.”

Annex 7, Article 5

To be deleted.

Annex 7, new Article 5

Insert a new Article 5 to read as follows:

Article 5

Containers with sliding sheets

1. Where applicable, the provisions of Articles 1, 2, 3 and 4 of these Regulations shall apply to containers with sliding sheets. In addition, these containers shall conform to the provisions of this article.
2. Notwithstanding the provisions of paragraph 3 of this Article, the sliding sheets, floor, doors and all other constituent parts of the container shall fulfil either the requirements in Annex 7, Article 4, paragraphs 6, 8, 9 and 11 or the requirements set out in (i) to (vi) below.
 - (i) The sliding sheets, floor, doors and all other constituent parts of the container shall be assembled in such a way that they cannot be opened or closed without leaving obvious traces.
 - (ii) The sheet shall overlap the solid parts at the top of the container by at least 1/4 of the actual distance between the tensioning straps. The sheet shall overlap the solid parts at the bottom of the container by at least 50 mm. The horizontal opening between the sheet and the solid parts of the container may not exceed 10 mm measured perpendicular to the longitudinal axis of the container at any place when the container is secured and sealed for Customs purposes.
 - (iii) The sliding sheet guidance and other movable parts shall be assembled in such a way that closed and Customs sealed doors and other movable parts cannot be opened or closed from the outside without leaving obvious traces. The sliding sheet guidance and other movable parts shall be assembled in such a way that it is impossible to gain access to the container without leaving obvious traces. The system is described in sketch No. 10 appended to these Regulations.

- (iv) The horizontal distance between the rings, used for Customs purposes, on the solid parts of the container shall not exceed 200 mm. The space may, however, be greater but shall not exceed 300 mm between the rings on either side of the upright if the construction of the container and the sheets is such as preventing all access to the container. In any case, the conditions laid down in (ii) above shall be complied with.
- (v) The distance between the tensioning straps shall not exceed 600 mm.
- (vi) The fastenings used to secure the sheets to the solid parts of the container shall fulfil the requirements in Annex 7, Article 4, paragraph 9.

3. If a construction for a container with sliding sheets is used which cannot meet all the provisions of paragraph 2 of this Article, this construction must produce a structure in which goods can be neither removed from nor introduced into the sealed part of the container, and the structure cannot be modified without leaving obvious traces.”

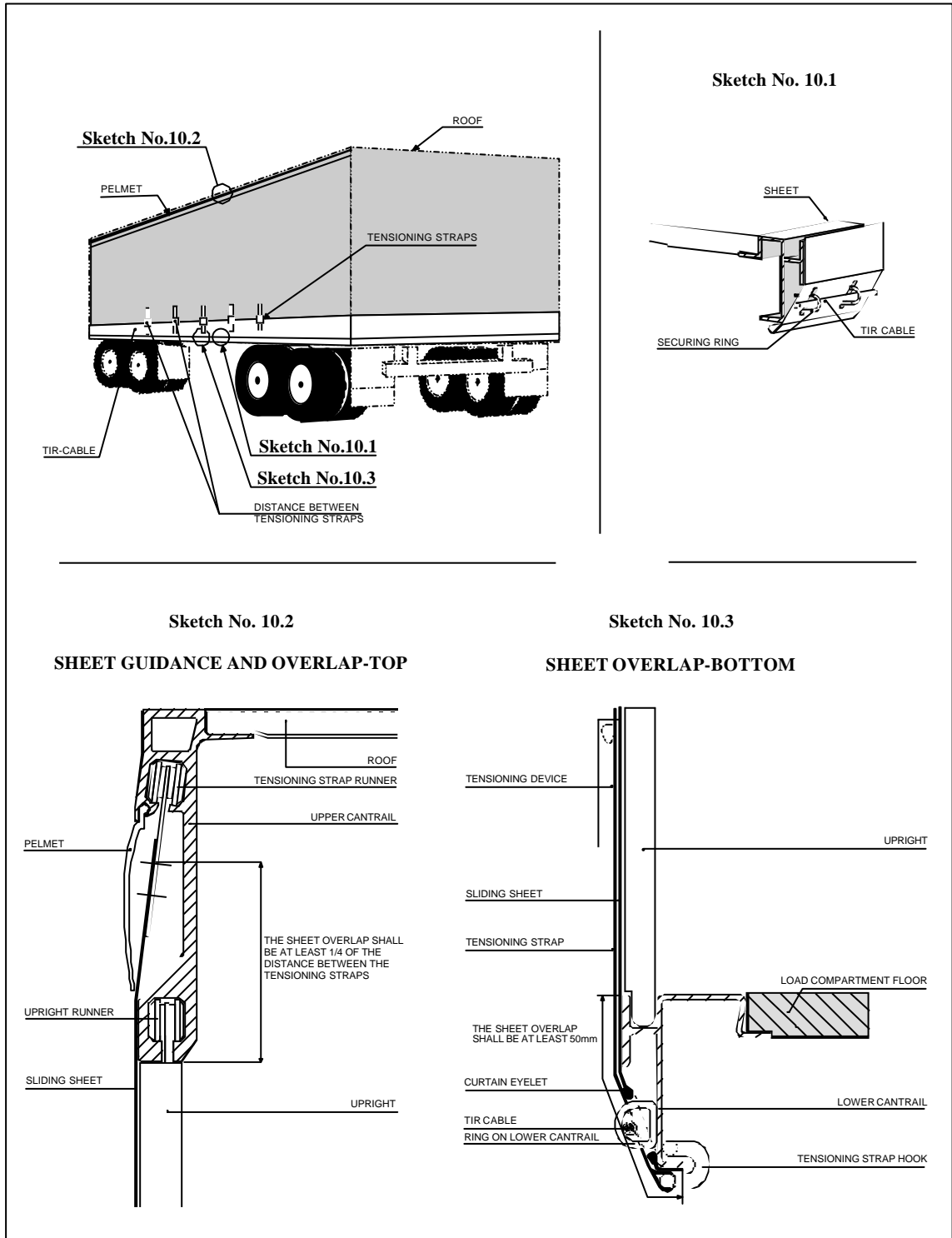
Add the following new sketch to the existing sketches appended to Annex 7:

Part I:

“

Sketch No. 10

SHEET GUIDANCE SYSTEM AND LOCKING SYSTEM AT OPENINGS FOR LOADING AND UNLOADING FOR CONTAINERS WITH SLIDING SHEETS



”