

**PART III**

**CLASSIFICATION PROCEDURES,  
TEST METHODS AND CRITERIA  
RELATING TO  
CLASS 3, CLASS 4,  
DIVISION 5.1 AND CLASS 9**



## CONTENTS OF PART III

**NOTE 1:** The country or organisation of origin of each test method is indicated in brackets after each test name.

**NOTE 2:** All test methods given in Part III of the manual are recommended tests as only one test is given for each property.

<u>Section</u>	<u>Page</u>
<b>30. INTRODUCTION TO PART III</b> .....	323
30.1 PURPOSE .....	323
30.2 SCOPE .....	323
<b>31. CLASSIFICATION PROCEDURES, TEST METHODS AND CRITERIA RELATING TO FLAMMABLE AEROSOLS OF CLASS 2</b> .....	325
31.1 PURPOSE .....	325
31.2 SCOPE .....	325
31.3 CLASSIFICATION PROCEDURES.....	325
31.4 IGNITION DISTANCE TEST FOR SPURAY AEROSOLS.....	330
31.5 ENCLOSED SPACE IGNITION TEST .....	334
31.6 AEROSOLS FOAM FLAMMABILITY TEST.....	339
<b>32. CLASSIFICATION PROCEDURES, TEST METHODS AND CRITERIA RELATING TO LIQUID DESENSITIZED EXPLOSIVES AND FLAMMABLE LIQUIDS OF CLASS 3</b> .....	341
32.1 PURPOSE .....	341
32.2 SCOPE .....	341
32.3 CLASSIFICATION PROCEDURES.....	341
32.4 TEST METHODS FOR DETERMINING FLASH POINT AND VISCOSITY.....	344
32.5 TEST METHODS FOR DETERMINING SOLVENT SEPARATION AND SUSTAINED COMBUSTION .....	346
32.5.1 Test L.1 Solvent separation test (UNO) .....	346
32.5.2 Test L.2 Sustained combustion test (UNO).....	347
<b>33. CLASSIFICATION PROCEDURES, TEST METHODS AND CRITERIA RELATING TO CLASS 4</b> .....	351
33.1 INTRODUCTION.....	351
33.2 <b>DIVISION 4.1</b> .....	351
33.2.1 FLAMMABLE SOLIDS .....	351
33.2.1.1 Purpose .....	351
33.2.1.2 Scope .....	351
33.2.1.3 Classification procedure for readily combustible solids.....	351
33.2.1.4 Test N.1 Test method for readily combustible solids (UNO).....	353
33.2.2 (Reserved) .....	356
33.2.3 SOLID DESENSITIZED EXPLOSIVES.....	356

## CONTENTS OF PART III (continued)

<u>Section</u>	<u>Page</u>
33.3	<b>DIVISION 4.2</b> ..... 357
33.3.1	SUBSTANCES LIABLE TO SPONTANEOUS COMBUSTION..... 357
33.3.1.1	Purpose ..... 357
33.3.1.2	Scope ..... 357
33.3.1.3	Classification procedure for substances liable to spontaneous combustion..... 357
33.3.1.4	Test N.2 Test method for pyrophoric solids (UNO)..... 360
33.3.1.5	Test N.3 Test method for pyrophoric liquids (UNO)..... 361
33.3.1.6	Test N.4 Test method for self-heating substances (UNO)..... 362
33.4	<b>DIVISION 4.3</b> ..... 365
33.4.1	SUBSTANCES WHICH IN CONTACT WITH WATER EMIT FLAMMABLE GASES ..... 365
33.4.1.1	Purpose ..... 365
33.4.1.2	Scope ..... 365
33.4.1.3	Classification procedure for substances which in contact with water emit flammable gases ..... 365
33.4.1.4	Test N.5 Test method for substances which in contact with water emit flammable gases (UNO) ..... 366
<b>34.</b>	<b>CLASSIFICATION PROCEDURES, TEST METHODS AND CRITERIA RELATING TO OXIDIZING SUBSTANCES OF DIVISION 5.1</b> ..... 369
34.1	PURPOSE ..... 369
34.2	SCOPE ..... 369
34.3	CLASSIFICATION PROCEDURE..... 369
34.4	TEST METHODS FOR OXIDIZING SUBSTANCES ..... 370
34.4.1	Test O.1 Test for oxidizing solids (UNO)..... 370
34.4.2	Test O.2 Test for oxidizing liquids (UNO) ..... 374
35.	<i>Reserved for classification procedures, test methods and criteria relating to Class 6</i> ..... 381
36.	<i>Reserved for classification procedures, test methods and criteria relating to Class 7</i> ..... 385
<b>37.</b>	<b>CLASSIFICATION PROCEDURES, TEST METHODS AND CRITERIA RELATING TO SUBSTANCES OF CLASS 8</b> ..... 385
37.1	PURPOSE ..... 385
37.2	SCOPE ..... 385
37.3	CLASSIFICATION PROCEDURE..... 385
37.4	TEST METHODS FOR CORROSION TO METALS ..... 385
37.4.1	Introduction..... 385
37.4.1.1	Test C.1 Test for determining the corrosive properties of liquids and solids that may become liquid during transport as dangerous goods of Class 8, packing group III. .... 385

## CONTENTS OF PART III (continued)

Section	Page
<b>38. CLASSIFICATION PROCEDURES, TEST METHODS AND CRITERIA RELATING TO CLASS 9 .....</b>	<b>389</b>
38.1 INTRODUCTION.....	389
<b>38.2 AMMONIUM NITRATE FERTILIZERS CAPABLE OF SELF-SUSTAINING DECOMPOSITION .....</b>	<b>389</b>
38.2.1 Purpose .....	389
38.2.2 Scope .....	389
38.2.3 Classification procedure.....	389
38.2.4 Test S.1 "Trough" test for determination of the self-sustaining exothermic decomposition of fertilizers containing nitrates .....	390
<b>38.3 LITHIUM BATTERIES.....</b>	<b>394</b>
38.3.1 Purpose .....	394
38.3.2 Scope .....	394
38.3.4 Procedure .....	398
38.3.4.1 Test T.1 Altitude simulation .....	398
38.3.4.2 Test T.2 Thermal test .....	398
38.3.4.3 Test T.3 Vibration.....	399
38.3.4.4 Test T.4 Shock .....	399
38.3.4.5 Test T.5 External short circuit .....	400
38.3.4.6 Test T.6 Impact .....	400
38.3.4.7 Test T.7 Overcharge.....	401
38.3.4.8 Test T.8 Forced discharge.....	401



## SECTION 30

### INTRODUCTION TO PART III

#### 30.1 Purpose

30.1.1 Part III of the test manual presents the United Nations schemes for the classification of:

- (a) Flammable aerosols (see section 31 of this Manual and special provision 63 of Chapter 3.3 of the Model Regulations);
- (b) Flammable liquids and liquid desensitized explosives of Class 3 (see section 32 of this Manual and Chapter 2.3 of the Model Regulations);
- (c) Readily combustible solids and solid desensitized explosives of Division 4.1 (see sub-section 33.2 of this Manual and Chapter 2.4 of the Model Regulations);
- (d) Pyrophoric and self-heating substances of Division 4.2 (see sub-section 33.3 of this Manual and Chapter 2.4 of the Model Regulations);
- (e) Substances which in contact with water emit flammable gases of Division 4.3 (see sub-section 33.4 of this Manual and Chapter 2.4 of the Model Regulations);
- (f) Oxidizing substances of Division 5.1 (see section 34 of this Manual and Chapter 2.5 of the Model Regulations);
- (g) Corrosive properties of substances of class 8 (see section 37 of this Manual and Chapter 2.8 of the Model Regulations);
- (h) Ammonium nitrate fertilizers capable of self-sustaining decomposition of Class 9 (see sub-section 38.2 of this Manual); and
- (i) Lithium cells and batteries of Class 9 (see sub-section 38.3 of this Manual).

30.1.2 Part III contains some classification procedures, test methods and criteria which are also given in the Model Regulations. Sections 35 and 36 are reserved, to allow for possible future developments, for Classes 6 and 7 respectively.

#### 30.2 Scope

The appropriate classification procedure should be undertaken before a new product is offered for transport. The producer or other applicant for classification of a new product should provide:

- (a) Adequate information concerning the names and characteristics of the substance or article;
- (b) The results of all relevant tests which have been done; and
- (c) The proposed classification with any subsidiary risk requirements.





## SECTION 31

### CLASSIFICATION PROCEDURES, TEST METHODS AND CRITERIA RELATING TO FLAMMABLE AEROSOLS OF CLASS 2

#### 31.1 Purpose

31.1.1 This section presents the United Nations scheme for the classification of flammable aerosols. The text should be used in conjunction with the classification principles given in Chapters 2.2 and 3.3 (special provision 63) of the Model Regulations, the flow charts given here in figures 31.1, 31.2 and 31.3 and the tests prescriptions given in sub-sections 31.4, 31.5 and 31.6 of this Manual.

31.1.2 The test procedures outlined here adequately assess the relative hazard of flammable aerosols so that an appropriate classification can be made.

31.1.3 For the purposes of this section the following definitions apply:

*Aerosols or aerosol dispensers* are non-refillable receptacles meeting the requirements of section 6.2.4 of the Model Regulations, made of metal glass or plastics and containing a gas, compressed, liquefied or dissolved under pressure, with or without a liquid, paste or powder, and fitted with a release device allowing the contents to be ejected as solid or liquid particles in suspension in a gas, as a foam, paste or powder or in a liquid state or in a gaseous state;

*Flammable components* are flammable liquids, flammable solids or flammable gases and gas mixtures. This designation does not cover pyrophoric, self-heating or water-reactive substances.

**NOTE 1:** *A flammable liquid means a liquid having a flash point of not more than 93 °C. Test methods for determining the flash point are given in sub-section 32.4 of this Manual;*

**NOTE 2:** *For the definition of flammable solids, see paragraph 2.4.2.2 of the Model Regulations. Classification procedures, test methods and criteria relating to flammable solids of Division 4.1 are given in sub-section 33.2 of this Manual;*

**NOTE 3:** *A flammable gas is a gas having a flammable range with air at 20 °C and a standard pressure of 101.3 kPa.*

#### 31.2 Scope

31.2.1 Aerosols offered for transport shall be subjected to the classification procedures as set out in special provision 63 of Chapter 3.3 of the Model Regulations and, for flammability, shall be subjected to the classification procedures as set out in this section. The classification procedure shall be undertaken before a new product is offered for transport.

**NOTE:** *Aerosol dispensers not submitted to flammability classification procedures in this sub-section shall be classified as extremely flammable.*

#### 31.3 Classification procedure for flammable aerosols

31.3.1 Aerosols shall be classified as flammable or extremely flammable according to their heat of combustion and to their flammable component contents, as follows:

- (a) The aerosol product is classified as extremely flammable if the product contains 85% or more flammable components and the chemical heat of combustion exceeds or is equal to 30 kJ/g;

- (b) The aerosol product is classified as non-flammable if the product contains 1% or less flammable components and the chemical heat of combustion is less than 20 kJ/g.

31.3.2 In the case of spray aerosols the classification shall be made taking into account the chemical heat of combustion and on the basis of the results of the ignition distance test, as follows:

- (a) If the chemical heat of combustion is less than 20 kJ/g:
  - (i) The aerosol is classified as flammable if ignition occurs at a distance equal or greater than 15 cm but less than 75 cm;
  - (ii) The aerosol is classified as extremely flammable if ignition occurs at a distance of 75 cm or more;
  - (iii) If no ignition occurs in the ignition distance test, the enclosed space test shall be performed and in this case, the aerosol is classified as flammable if the time equivalent is less than or equal to 300 s/m<sup>3</sup> or the deflagration density is less than or equal to 300 g/m<sup>3</sup>; otherwise the aerosol is classified as non-flammable;
- (b) If the chemical heat of combustion is equal to or more than 20 kJ/g, the aerosol is classified as extremely flammable if ignition occurs at a distance of 75 cm or more; otherwise the aerosol is classified as flammable.

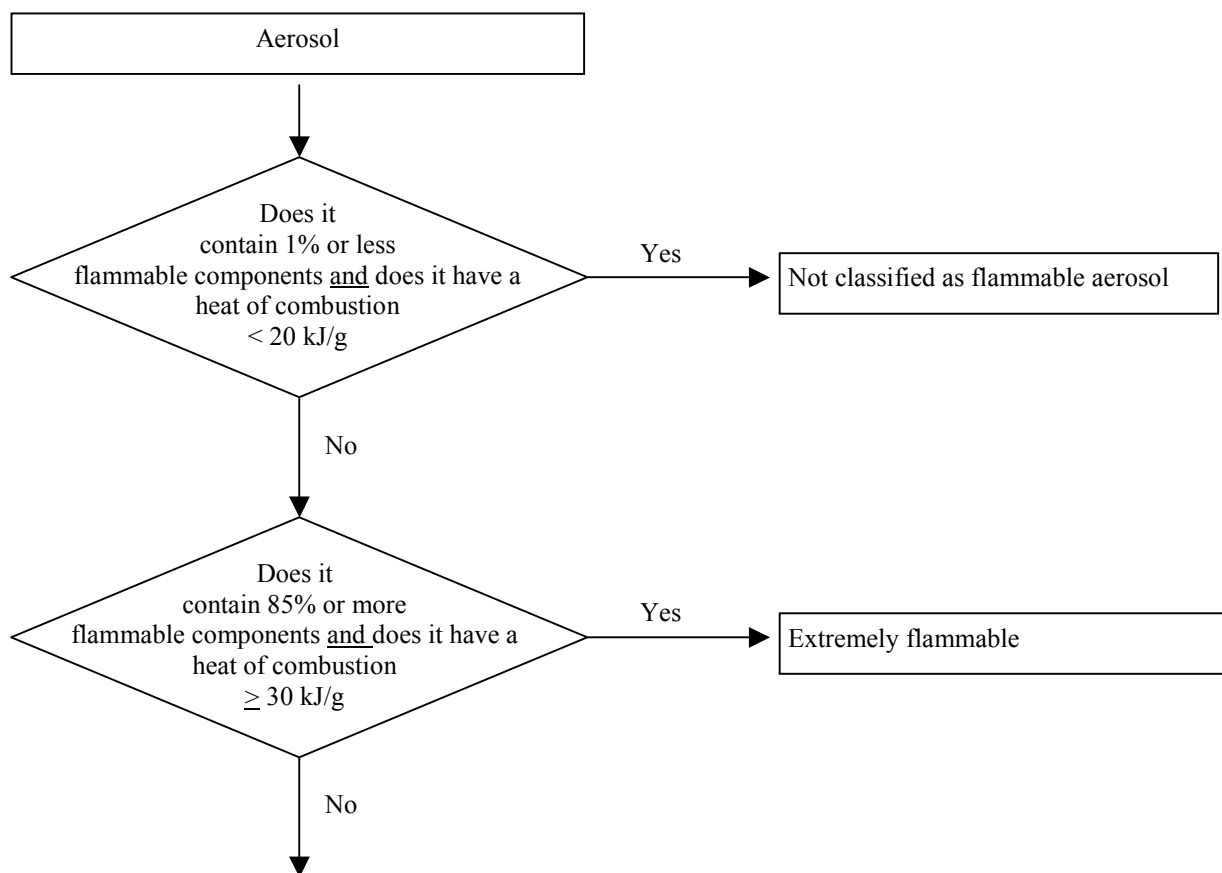
31.3.3 The chemical heat of combustion shall be determined following one of the methods described in the following standards: ASTM D 240, ISO/FDIS 13943:1999 (E/F) 86.1 to 86.3 and NFPA 30B.

31.3.4 In the case of foam aerosols, the classification shall be made on the basis of the results of the foam flammability test (see sub-section 31.6 of this Manual).

- (a) The aerosol product shall be classified as extremely flammable if:
  - (i) the flame height is 20 cm or more and the flame duration is 2 s or more; or
  - (ii) the flame height is 4 cm or more and the flame duration is 7 s or more;
- (b) The aerosol product which does not meet the criteria in (a) is classified as flammable if the flame height is 4 cm or more and the flame duration is 2 s or more.

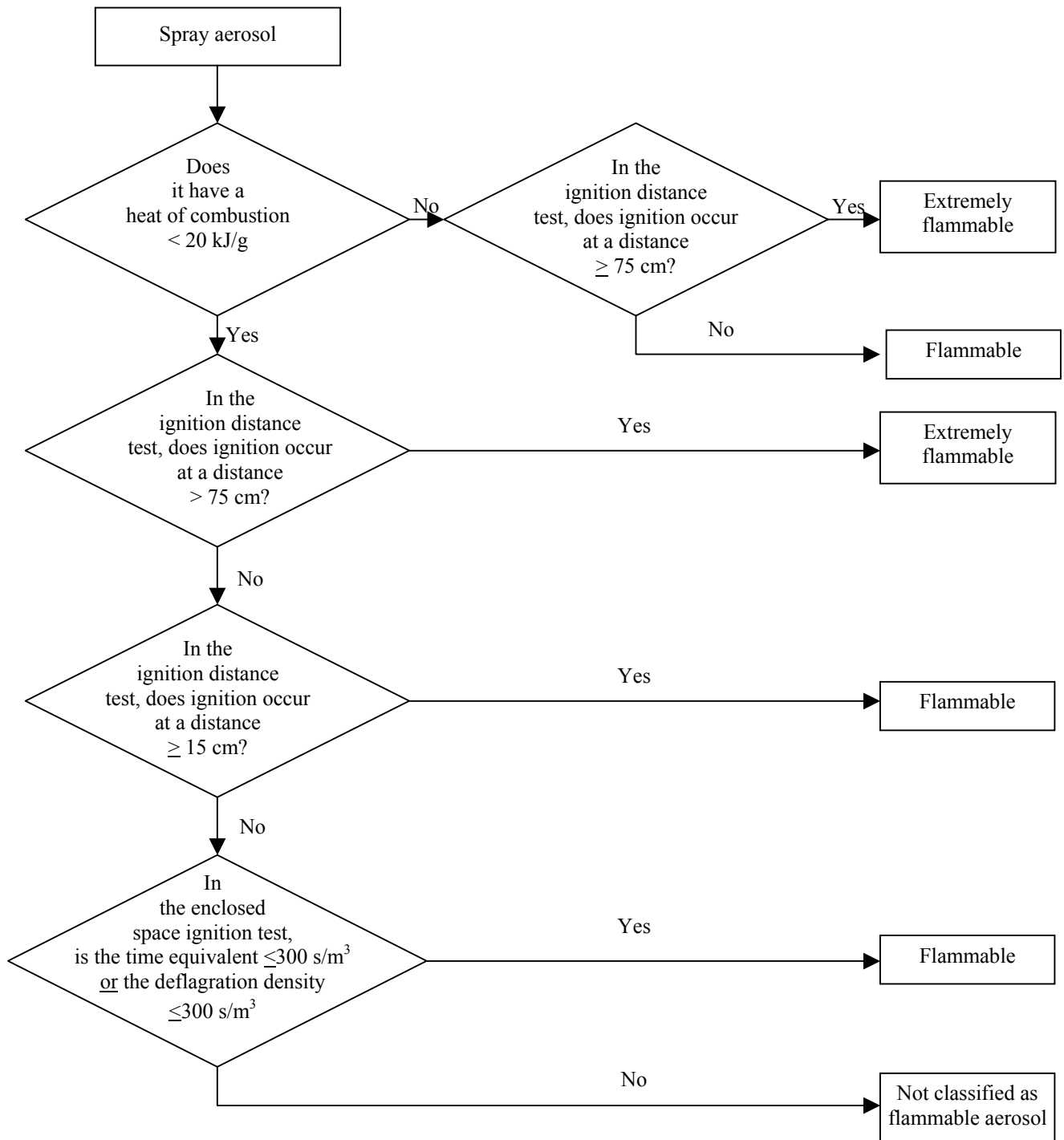
31.3.5 The classification criteria for aerosols, spray aerosols and foam aerosols is summarized in figures 31.1, 31.2 and 31.3 respectively.

**FIGURE 31.1: OVERALL PROCEDURE FOR CLASSIFICATION OF FLAMMABLE AEROSOLS**

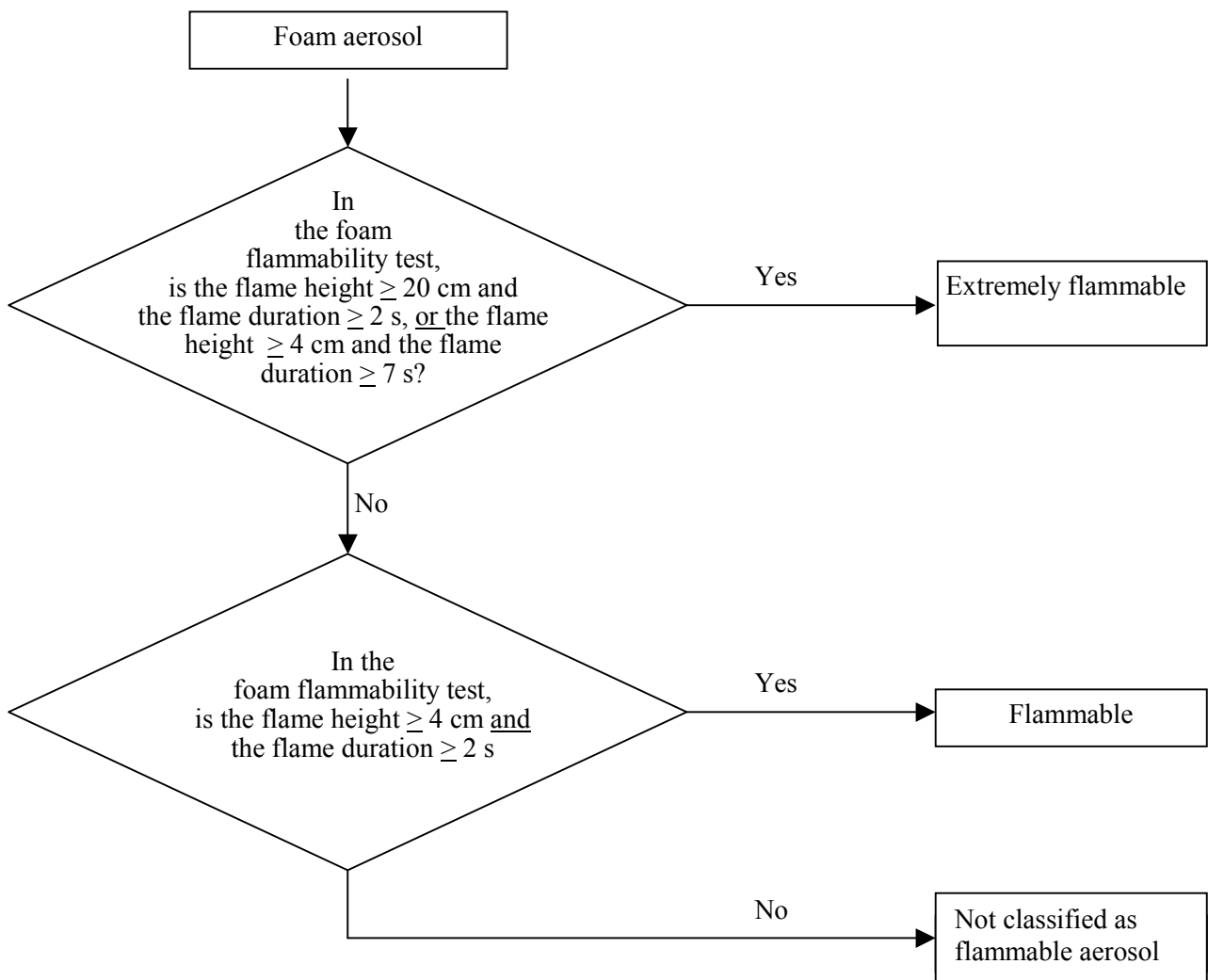


For spray aerosols, go to Figure 31.2.  
For foam aerosols, go to Figure 31.3.

**FIGURE 31.2: PROCEDURE FOR CLASSIFICATION OF SPRAY AEROSOLS**



**FIGURE 31.3: PROCEDURE FOR CLASSIFICATION OF FOAM AEROSOLS**



## 31.4 Ignition distance test for spray aerosols

### 31.4.1 *Introduction*

31.4.1.1 This test standard describes the method to determine the ignition distance of an aerosol spray in order to assess the associated flame risk. The aerosol is sprayed in the direction of an ignition source at intervals of 15 cm to observe if ignition and sustained combustion of the spray takes place. Ignition and sustained combustion is defined as when a stable flame is maintained for at least 5 s. The ignition source is defined as a gas burner with a blue, non-luminous flame 4-5 cm in height.

31.4.1.2 This test is applicable to aerosol products with a spray distance of 15 cm or more. Aerosol products with a spray distance of less than 15 cm such as dispensing foams, mousses, gels and pastes or fitted with a metering valve, are excluded from this test. Aerosol products that dispense foams, mousses, gels or pastes are subject to testing under the aerosol foam flammability test.

### 31.4.2 *Apparatus and material*

31.4.2.1 The following apparatus is required:

Water bath maintained at 20°C	accurate to $\pm 1$ °C
Calibrated laboratory scales (balance)	accurate to $\pm 0.1$ g
Chronometer (stopwatch)	accurate to $\pm 0.2$ s
Graduated scale, support and clamp	graduations in cm
Gas burner with support and clamp	
Thermometer	accurate to $\pm 1$ °C
Hygrometer	accurate to $\pm 5$ %
Pressure gauge	accurate to $\pm 0.1$ bar

### 31.4.3 *Procedure*

#### 31.4.3.1 *General requirements*

31.4.3.1.1 Before testing, each aerosol dispenser shall be conditioned and then primed by discharging for approximately 1 s. The purpose of this action is to remove non-homogeneous material from the diptube.

31.4.3.1.2 The instructions of use shall be strictly followed, including whether the dispenser is intended to be used in the upright or inverted position. When shaking is required, shake immediately before testing.

31.4.3.1.3 The test shall be carried out in a draught-free environment capable of ventilation, with the temperature controlled at  $20\text{ °C} \pm 5\text{ °C}$  and relative humidity in the range 30 - 80%.

31.4.3.1.4 Each aerosol dispenser is to be tested:

- (a) When full according to the complete procedure, with the gas burner in the range of 15 - 90 cm distance from the actuator of the aerosol can;
- (b) When 10 - 12% full nominal (% by mass) only one test, either at 15 cm distance from the actuator when the spray from a full can did not ignite at all, or at the flame ignition distance of the spray of a full can plus 15 cm.

31.4.3.1.5 During the test, the can shall be positioned as indicated by label instructions. The ignition source shall be positioned accordingly.

31.4.3.1.6 The following procedure requires testing the spray at intervals of 15 cm between the burner flame and the aerosol actuator, in the range of 15 - 90 cm. It is efficient to start at 60 cm distance between burner flame and aerosol actuator. The distance between burner flame and aerosol actuator shall be increased

by 15 cm in the case of an ignition of the spray at 60 cm distance. The distance shall be decreased by 15 cm in the case of no ignition at 60 cm distance between burner flame and aerosol actuator. The aim of the procedure is to determine the maximum distance between aerosol actuator and burner flame that leads to sustained combustion of the spray or to determine that ignition could not be obtained at 15 cm distance between the burner flame and the aerosol's actuator.

#### 31.4.3.2 *Test procedure*

- (a) A minimum of 3 full aerosol dispensers per product shall be conditioned to  $20\text{ °C} \pm 1\text{ °C}$  with at least 95% of the dispenser immersed in the water for at least 30 min before each test (if the aerosol is fully immersed, 30 min conditioning is sufficient);
- (b) Comply with general requirements. Record the temperature and relative humidity of the environment;
- (c) Weigh an aerosol dispenser and note its mass;
- (d) Determine the internal pressure and initial discharge rate at  $20\text{ °C} \pm 1\text{ °C}$  (to eliminate faulty or partly filled aerosol dispensers);
- (e) Support the gas burner on a flat horizontal surface or fix the burner to a support by means of a clamp;
- (f) Ignite the gas burner; the flame shall be non-luminous and approximately 4-5 cm high;
- (g) Place the actuator's exit orifice at the required distance from the flame. The aerosol shall be tested in the position it is designed to be used, e.g. upright or inverted;
- (h) Level the actuator's orifice and burner flame, ensuring that the orifice is properly directed towards and aligned with the flame (see Figure 31.4.1). The spray shall be expelled through the top half of the flame;
- (i) Comply with the general requirements regarding shaking of the dispenser;
- (j) Actuate the valve of the aerosol dispenser, to discharge its contents for 5 s, unless ignition occurs. If ignition occurs, continue discharging and time the duration of the flame for 5 s, from the start of ignition;
- (k) Note the ignition results for the distance between the gas burner and the aerosol dispenser in the table provided;
- (l) If no ignition occurs during step (j), the aerosol shall be tested in alternative orientations, e.g. inverted for upright use products, to check if ignition is obtained;
- (m) Repeat steps (g) to (l) twice more (a total of 3) for the same can at the same distance between the gas burner and the aerosol actuator;
- (n) Repeat the test procedure for another two aerosol cans of the same product at the same distance between gas burner and aerosol actuator;
- (o) Repeat steps (g) to (n) of the test procedure at a distance between 15 and 90 cm between the actuator of the aerosol can and the burner flame depending on the outcome of each test (see also 31.4.3.1.4 and 31.4.3.1.5);

- (p) If no ignition occurs at 15 cm, the procedure is finished for initially full cans. The procedure is also finished when ignition and sustained combustion is obtained at a distance of 90 cm. If ignition could not be obtained at 15 cm distance, record that ignition did not occur. The maximum distance between burner flame and the aerosol's actuator for which an ignition and sustained combustion was observed is noted as the "ignition distance", in all other circumstances;
- (q) One test shall also be conducted on 3 cans of 10 - 12% nominal fill level. These cans shall be tested at a distance between the aerosol's actuator and the burner flame of "the flame ignition distance of full cans + 15 cm";
- (r) Discharge an aerosol can to a 10 - 12% nominal fill level (by mass) in bursts of 30 s maximum. Observe a 300 s minimum time period between bursts. During this interim period dispensers shall be placed in the water bath for conditioning;
- (s) Repeat steps (g) to (n) for 10 - 12% nominal fill aerosol cans, omitting steps (l) and (m). This test shall only be performed with the aerosol in one position, e.g. upright or inverted, corresponding with that which produced the ignition (if any) for filled cans;
- (t) Record all results in the Table 31.4 as shown below.

31.4.3.2.1 All experiments shall be performed in a fume hood in a room that may be well ventilated. Ventilation of the fume hood and room can be applied for at least 3 min after each test. Take all necessary safety precautions to prevent the inhalation of combustion products.

31.4.3.2.2 The cans with a 10 - 12% nominal fill level shall be tested only once. The result tables need only one result per can indicated.

31.4.3.2.3 When the test in the position in which the dispenser is designed to be used gives a negative result, the test shall be repeated in the position of the dispenser most likely to result in a positive result.

#### 31.4.4 ***Test criteria and method of assessing results***

31.4.4.1 All the results shall be recorded. Table 31.4 below shows the model of "result table" to be used.

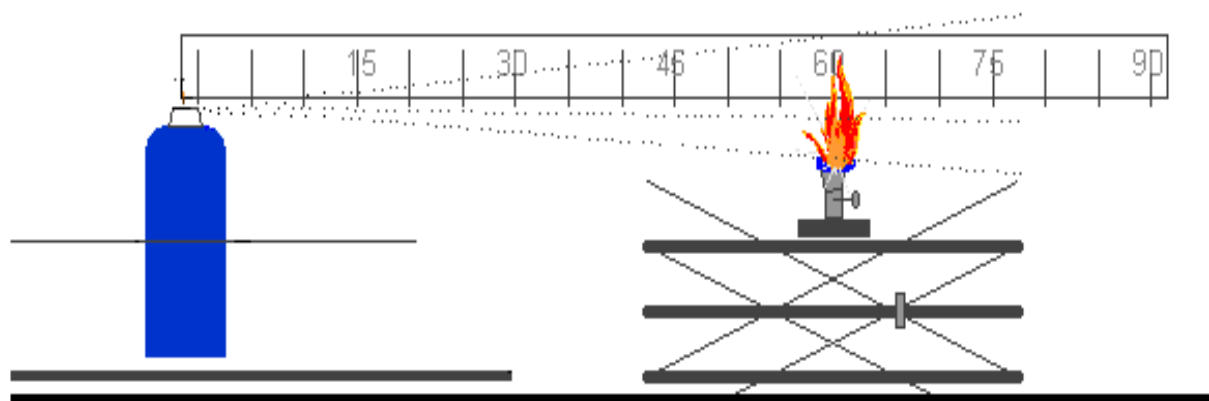


**Table 31.4: Model of “result table”**

Date		Temperature	°C				
		Relative humidity	%				
Name of product							
Net volume		Can 1	Can 2		Can 3		
Initial level of filling		%	%		%		
Dispenser distance	Test	1	2	3	1	2	3
15 cm	Ignition? Y or N						
30 cm	Ignition? Y or N						
45 cm	Ignition? Y or N						
60 cm	Ignition? Y or N						
75 cm	Ignition? Y or N						
90 cm	Ignition? Y or N						
Observations – including can position							

31.4.4.2 Spray aerosols shall be classified as flammable, extremely flammable or non flammable according to the following criteria:

- (a) An aerosol with a chemical heat of combustion less than 20 kJ/g is classified as flammable if ignition occurs at a distance equal or greater than 15 cm but less than 75 cm;
- (b) An aerosol with a chemical heat of combustion less than 20 kJ/g is classified as extremely flammable if ignition occurs at a distance of 75 cm or more;
- (c) If for an aerosol with a chemical heat of combustion less than 20 kJ/g, no ignition occurs in the ignition distance test, the enclosed space ignition test described in sub-section 31.5 of this Manual shall be performed;
- (d) An aerosol with a chemical heat of combustion equal to or more than 20 kJ/g is classified as extremely flammable if ignition occurs at a distance of 75 cm or more. Otherwise the aerosol is classified as flammable.



**Figure 31.4.1 SYSTEM FOR IGNITION DISTANCE TEST**

## **31.5 Enclosed space ignition test**

### **31.5.1 Introduction**

31.5.1.1 This test standard describes the method to assess the flammability of products emerging from aerosol dispensers due to their propensity to ignite in an enclosed or confined space. The contents of an aerosol dispenser are sprayed into a cylindrical test vessel containing a burning candle. If an observable ignition occurs, the elapsed time and amount discharged is noted.

### **31.5.2 Apparatus and material**

31.5.2.1 The following apparatus is required:

Chronometer (stopwatch)	accurate to $\pm 0.2$ s
Water bath maintained at 20 °C	accurate to $\pm 1$ °C
Calibrated laboratory scales (balance)	accurate to $\pm 0.1$ g
Thermometer	accurate to $\pm 1$ °C
Hygrometer	accurate to $\pm 5\%$
Pressure gauge	accurate to $\pm 0.1$ bar
Cylindrical test vessel	as detailed below

31.5.2.2 Preparation of test apparatus

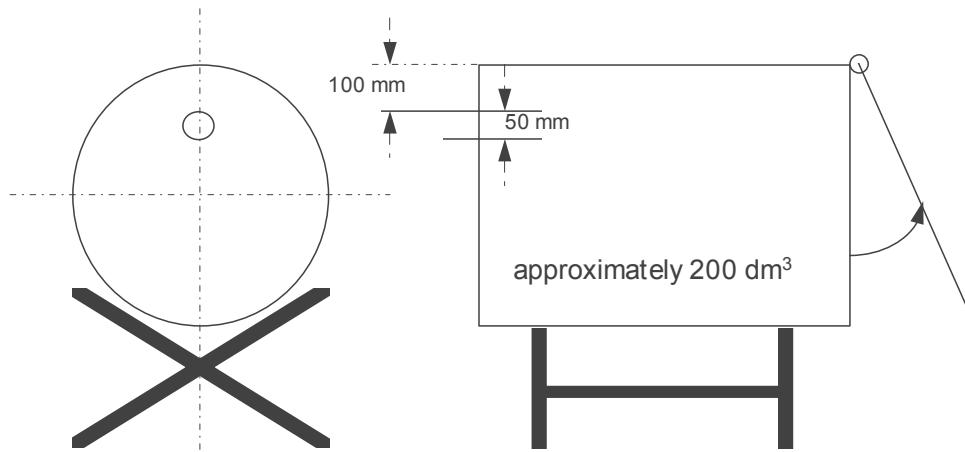
31.5.2.2.1 A cylindrical vessel approximately 200 dm<sup>3</sup> (55 gallons) volume, approximately 600 mm in diameter and approximately 720 mm long and open at one end shall be modified as follows:

- (a) A closure system consisting of a hinged cover should be matched to the open end of the receptacle; or
- (b) A plastic film 0.01 to 0.02 mm thick may be used as a closure system. If the test is carried out with a plastic film this must be used as described below:

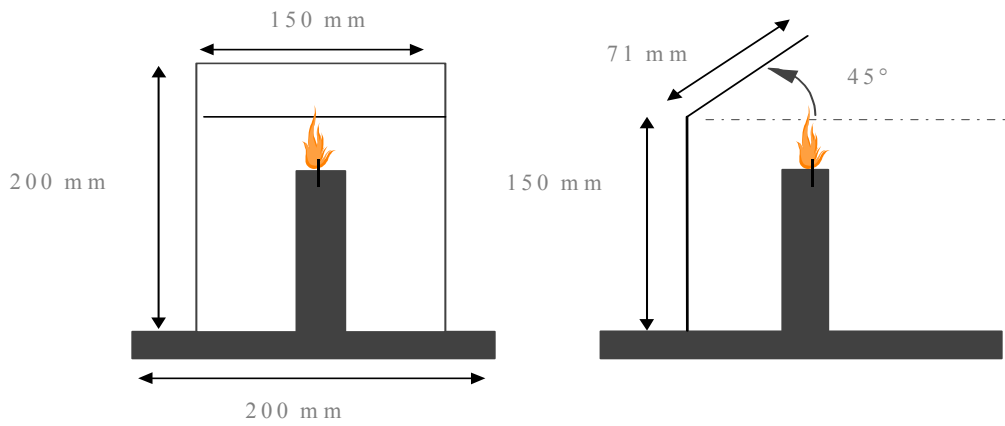
Stretch the film over the open end of the drum and hold it in place with an elastic band. The strength of the band shall be such that when placed around the drum resting on its side, it stretches by only 25 mm when a mass of 0.45 kg is attached to its lowest point. Cut a 25 mm slit in the film, starting 50 mm from the edge of the drum. Ensure that the film is taut;

- (c) At the other end of the drum drill a 50 mm diameter hole 100 mm from the edge in such a way that the orifice is uppermost when the receptacle is laid down and ready for the test (Figure 31.5.1);
- (d) On a 200 × 200 mm metal support place a paraffin wax candle 20 to 40 mm in diameter and 100 mm high. The candle shall be replaced when having a height of less than 80 mm. The candle's flame is protected from the action of the spray by a 150 mm wide, 200 mm high deflector. This includes the plane inclined at 45° produced 150 mm from the base of the deflector (Figure 31.5.2);
- (e) The candle placed on the metal support shall be positioned midway between the two ends of the drum (Figure 31.5.3);
- (f) The drum is laid on the ground or on a support at a spot where the temperature is between 15 °C and 25 °C. The product to be tested will be sprayed within the drum of roughly 200 dm<sup>3</sup> in which there will be a source of ignition.

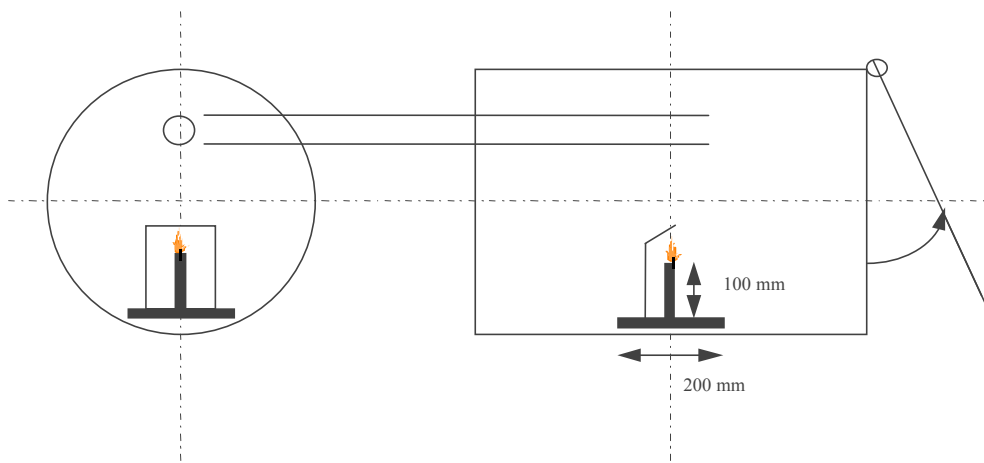
31.5.2.2.2 Usually, the product leaves the aerosol can at an angle of 90° relevant to the vertical axis of the can. The layout and procedure described refers to this kind of aerosol product. In the case of unusually operating aerosols (e.g. vertical-spray aerosol dispensers) it will be necessary to record changes to equipment and procedures in accordance with good laboratory practice, such as ISO/IEC 17025:1999 General requirements for the competence of testing and calibration laboratories.



**Figure 31.5.1 DRUM FOR ENCLOSED SPACE IGNITION TEST**



**Figure 31.5.2 CANDLE FOR ENCLOSED SPACE IGNITION TEST**



**Figure 31.5.3 CANDLE ON ITS METAL SUPPORT**

### **31.5.3 Procedure**

#### 31.5.3.1 *General requirements*

31.5.3.1.1 Before testing, each aerosol dispenser shall be conditioned and then primed by discharging for approximately 1 second. The purpose of this action is to remove non-homogeneous material from the diptube.

31.5.3.1.2 The instructions of use shall be strictly followed, including whether the dispenser is intended to be used in the upright or inverted position. When shaking is required, shake immediately before testing.

31.5.3.1.3 The tests shall be carried out in a draught-free environment capable of ventilation, with the temperature controlled at  $20\text{ °C} \pm 5\text{ °C}$  and relative humidity in the range 30 - 80%.

#### 31.5.3.2 *Test procedure*

- (a) A minimum of 3 full aerosol dispensers per product shall be conditioned to  $20\text{ °C} \pm 1\text{ °C}$  in a water bath with at least 95% of the dispenser immersed in the water for at least 30 min (if the aerosol is fully immersed, 30 min conditioning is sufficient);
- (b) Measure or calculate the actual volume of the drum in dm<sup>3</sup>;
- (c) Comply with general requirements. Record the temperature and relative humidity of the environment;
- (d) Determine the internal pressure and initial discharge rate at  $20\text{ °C} \pm 1\text{ °C}$  (to eliminate faulty or partly filled aerosol dispensers);
- (e) Weigh one of the aerosol dispensers and note its mass;
- (f) Light the candle and apply the closure system (cover or plastic film);
- (g) Place the aerosol dispenser actuator orifice 35 mm or closer for a wide spray product, from the centre of the entrance hole in the drum. Start the chronometer (stopwatch) and following the instructions for use of the product; direct the spray towards the centre of the opposite extremity (cover or plastic film). The aerosol shall be tested in the position it is designed to be used, e.g. upright or inverted;
- (h) Spray until ignition occurs. Stop the chronometer and note the time elapsed. Re-weigh the aerosol dispenser and note its mass;
- (i) Ventilate and clean the drum removing any residue likely to affect subsequent tests. Allow the drum to cool if necessary;
- (j) Repeat the test procedure steps (d) to (i) for another two aerosol dispensers of the same product (3 in total, note: each dispenser is only tested once);

### **31.5.4 Test criteria and method of assessing results**

31.5.4.1 A test report containing the following information shall be drawn up:

- (a) The product tested and its references;
- (b) The internal pressure and discharge rate of the aerosol dispenser;

- (c) The temperature and relative air humidity of the room;
- (d) For each test, the discharge time (s) needed to achieve ignition (if the product does not ignite, state this);
- (e) The mass of the product sprayed during each test (in g);
- (f) The actual volume of the drum (in dm<sup>3</sup>).

31.5.4.2 The time equivalent ( $t_{eq}$ ) needed to achieve ignition in one cubic metre can be calculated as follows:

$$t_{eq} = \frac{1000 \times \text{discharge time (s)}}{\text{Actual volume of drum (dm}^3\text{)}}$$

31.5.4.3 The deflagration density ( $D_{def}$ ) needed to achieve ignition during the test may also be calculated as follows:

$$D_{def} = \frac{1000 \times \text{Amount of product dispensed (g)}}{\text{Actual volume of drum (dm}^3\text{)}}$$

31.5.4.4 An aerosol with a chemical heat of combustion less than 20 kJ/g for which no ignition occurs in the ignition distance test (see sub-section 31.4 of this Manual) is classified as flammable if the time equivalent is less than or equal to 300 s/m<sup>3</sup> or the deflagration density is less than or equal to 300 g/m<sup>3</sup>. Otherwise the aerosol is classified as non-flammable.

**31.6 Aerosol foam flammability test****31.6.1 Introduction**

31.6.1.1 This test standard describes the method to determine the flammability of an aerosol spray emitted in the form of a foam, mousse, gel or paste. An aerosol, which emits a foam, mousse, gel or paste is sprayed (approx. 5 g) on a watchglass and an ignition source (candle, wax taper, match or lighter) is placed at the base of the watchglass to observe if ignition and sustained combustion of the foam, mousse, gel or paste occurs. Ignition is defined as a stable flame maintained for at least 2 s and a minimum 4 cm in height.

**31.6.2 Apparatus and material**

31.6.2.1 The following apparatus is required:

Graduated scale, support and clamp	gradations in cm
Fire-resistant watchglass roughly 150 mm in diameter	
Chronometer (stopwatch)	accurate to $\pm 0.2$ s
Candle, wax taper, match or lighter	
Calibrated laboratory scales (balance)	accurate to $\pm 0.1$ g
Water bath maintained at 20 °C	accurate to $\pm 1$ °C
Thermometer	accurate to $\pm 1$ °C
Hygrometer	accurate to $\pm 5\%$
Pressure gauge	accurate to $\pm 0.1$ bar

31.6.2.2 The watchglass is placed on a fire-resistant surface within a draught-free area that may be ventilated after each test. The graduated scale is positioned exactly behind the watchglass and held vertically by means of a support and clamp.

31.6.2.3 The scale is positioned in such a way that its origin is on a level with the watchglass base in a horizontal plane.

**31.6.3 Procedure****31.6.3.1 General requirements**

31.6.3.1.1 Before testing, each aerosol dispenser shall be conditioned and then primed by discharging for approximately 1 second. The purpose of this action is to remove non-homogeneous material from the diptube.

31.6.3.1.2 The instructions of use shall be strictly followed, including whether the dispenser is intended to be used in the upright or inverted position. When shaking is required, shake immediately before testing.

31.6.3.1.3 The tests shall be carried out in a draught-free environment capable of ventilation, with the temperature controlled at  $20\text{ °C} \pm 5\text{ °C}$  and relative humidity in the range of 30–80%.

**31.6.3.2 Test procedure**

- (a) A minimum of four full aerosol dispensers per product shall be conditioned to  $20\text{ °C} \pm 1\text{ °C}$  with at least 95% of the dispenser immersed in the water for at least 30 min before each test (if the aerosol is fully immersed, 30 min conditioning is sufficient);
- (b) Comply with general requirements. Record the temperature and relative humidity of the environment;

- (c) Determine the internal pressure at  $20\text{ °C} \pm 1\text{ °C}$  (to eliminate faulty or partly filled aerosol dispensers);
- (d) Measure the discharge or flow rate of the aerosol product to be examined, so that the amount of test product dispensed can be more accurately gauged;
- (e) Weigh one of the aerosol dispensers and note its mass;
- (f) On the basis of the measured discharge or flow rate and following the manufacturer's instructions, release approximately 5 g of the product onto the centre of the clean watchglass with the aim of producing a mound no higher than 25 mm;
- (g) Within 5 s of completion of discharge, apply the source of ignition to the edge of the sample at its base and at the same time start the chronometer (stopwatch). If necessary, the ignition source shall be removed from the edge of the sample after approximately two seconds, in order to clearly observe if ignition has occurred. If no ignition of the sample is apparent, the ignition source shall be reapplied to the edge of the sample;
- (h) If ignition occurs note the following points:
  - (i) The maximum height of the flame in cm above the base of the watchglass;
  - (ii) The flame duration in s;
  - (iii) Dry and re-weigh the aerosol dispenser and calculate the mass of the released product;
- (i) Ventilate the test area immediately after each test;
- (j) If ignition is not obtained and the released product remains in the form of a foam or paste throughout its period of use, steps (e) to (i) should be repeated. Allow the product to stand for 30 s, 1 min, 2 min or 4 min before applying the ignition source;
- (k) Repeat the test procedure steps (e) to (j) twice more (a total of 3) for the same can;
- (l) Repeat the test procedure steps (e) to (k) for another two aerosol cans (3 cans in total) of the same product.

#### **31.6.4 Test criteria and method of assessing results**

31.6.4.1 A test report containing the following information shall be drawn up:

- (a) Whether the product ignites;
- (b) Maximum flame height in cm;
- (c) Duration of flame in s;
- (d) The mass of the product tested.

31.6.4.2 The aerosol product shall be classified as extremely flammable if the flame height is 20 cm or more and the flame duration is 2 s or more; or if the flame duration is 7 s or more and the flame height is 4 cm or more.



## SECTION 32

### CLASSIFICATION PROCEDURES, TEST METHODS AND CRITERIA RELATING TO LIQUID DESENSITIZED EXPLOSIVES AND FLAMMABLE LIQUIDS OF CLASS 3

#### 32.1 Purpose

This section presents the United Nations scheme for the classification of liquid desensitized explosives and flammable liquids of Class 3 (see Chapter 2.3 of the Model Regulations). The text should be used in conjunction with the classification principles given in Chapter 2.3 of the Model Regulations and the test methods given in sub-sections 32.4 and 32.5 of this Manual.

#### 32.2 Scope

32.2.1 Liquid desensitized explosives are explosive substances which are dissolved or suspended in water or other liquid substances, to form a homogeneous liquid mixture to suppress their explosive properties (see 2.3.1.4 of the Model Regulations).

32.2.2 Substances are listed in this class as flammable liquids only when their flash point is not more than 60.5 °C in a closed-cup test, or not more than 65.6 °C in an open-cup test or, in the case of substances transported or offered for transport at elevated temperatures, when they give off a flammable vapour at a temperature at or below the maximum transport temperature. However, liquids with a flash point of more than 35 °C, which do not sustain combustion, need not to be considered as flammable liquids for the purposes of the Model Regulations.

32.2.3 Flammable liquids listed (Chapter 3.2 of the Model Regulations) in this class by name should be regarded as chemically pure. In practice, goods shipped under the name of such substances are often commercial products which contain other added substances or impurities. Therefore, it may occur that liquids which are not included in the list because their flash point in their pure state is more than 60.5 °C in a closed-cup test, or more than 65.6 °C in an open-cup test, may be offered for transport as commercial products with a flash point at or below that limit. Moreover, liquids which would be listed, in their pure state, in Packing Group III could in fact be included in Packing Group II as commercial products because of the presence of added substances or impurities.

32.2.4 For these reasons caution should be exercised when using the lists, as they are only guides. In the event of doubt, the flash point of substances should be tested experimentally.

32.2.5 Liquids are considered to be unable to sustain combustion for the purposes of the Model Regulations (i.e. they do not sustain combustion under defined test conditions) if they have passed a suitable combustibility test (see section 32.5.2) or if their fire point, according to ISO 2592, is greater than 100 °C or if they are miscible solutions with a water content of more than 90% by mass.

#### 32.3 Classification procedures

##### 32.3.1 *Flammable liquids*

32.3.1.1 Table 32.1 should be used for the determination of the hazard grouping of a liquid that presents a risk due to flammability.

32.3.1.2 For liquids whose only risk is flammability, the packing group for the substance is shown in the hazard grouping shown in Table 32.1.

32.3.1.3 For a liquid with additional risk(s), the hazard group determined from Table 32.1 and the hazard group based on the severity of the additional risk(s) should be considered. In such cases, the table of precedence of hazard characteristics in Chapter 2.0, section 2.0.3 of the Model Regulations, should be used to determine the correct classification of the liquid. The hazard grouping indicating the highest degree of danger based on the different risks of a substance then becomes the packing group for the substance.

**Table 32.1: HAZARD GROUPING BASED ON FLAMMABILITY**

Packing Group	Flash Point (Closed-cup)	Initial Boiling Point
I	-	≤ 35 °C
II	<23 °C	> 35 °C
III	≥ 23 °C, ≤60.5 °C	> 35 °C

32.3.1.4 Substances classified as flammable liquids due to their being transported or offered for transport at elevated temperatures are included in packing group III.

32.3.1.5 Viscous substances having a flash point of less than 23 °C may be placed in Packing Group III in conformity with paragraphs 32.3.1.7 and 32.4.2.

32.3.1.6 Viscous substances which:

- (a) have a flash point of 23 °C or above and less than or equal to 60.5 °C;
- (b) are not toxic or corrosive;
- (c) contain less than 20% nitrocellulose provided the nitrocellulose contains not more than 12.6% nitrogen by dry mass; and
- (d) are packed in receptacles of less than 450 litre capacity;

are not subject to the Model Regulations if:

- (a) In the solvent separation test (see 32.5.1) the height of the separated layer of solvent is less than 3% of the total height; and
- (b) The flow-time in the viscosity test (see 32.4.3) with a jet diameter of 6 mm is equal to or greater than:
  - (i) 60 seconds; or
  - (ii) 40 seconds if the viscous substance contains not more than 60% of Class 3 substances.

32.3.1.7 Viscous flammable liquids such as paints, enamels, varnishes, adhesives and polishes with a flash point of less than 23 °C are included in packing group III provided that:

- (a) Less than 3 % of the clear solvent layer separates in the solvent separation test;
- (b) The mixture does not contain any substances with a primary or a subsidiary risk of Division 6.1 or Class 8;

(c) The viscosity and flash point are in accordance with the following table:

<b>Flow-time t (s)</b>	<b>Jet diameter (mm)</b>	<b>Flash point (°C)</b>
20 < t ≤ 60	4	above 17
60 < t ≤ 100	4	above 10
20 < t ≤ 32	6	above 5
32 < t ≤ 44	6	above -1
44 < t ≤ 100	6	above -5
100 < t	6	-5 and below

(d) The capacity of the receptacle used does not exceed 450 litres.

### **32.3.2**      *Liquid desensitized explosives*

32.3.2.1      This sub-section presents the United Nations scheme for the classification of liquid desensitized explosives of Class 3 (see paragraph 2.3.1.4 of the Model Regulations). Liquid desensitized explosives are substances which are dissolved or suspended in water or other liquid substances to form a homogeneous liquid mixture to suppress their explosives properties.

32.3.2.2      New products which are thermally stable and have, or are suspected of having, explosive properties should first be considered for Class 1 and the Class 1 acceptance procedure and, if necessary, the assignment procedure applied.

32.3.2.3      Where a substance is assigned to Class 1 but is diluted to be exempted from Class 1 by test series 6 (see section 16), this diluted substance, when meeting the classification criteria or definition for another class or division, should be classified in that class or division at the highest concentration which exempts it from Class 1. When sufficiently diluted, such substances may be deemed to be non-dangerous (see also paragraph 2.1.3.5.3 of the Model Regulations).

## **32.4 Test methods used for determining flash point and viscosity**

### **32.4.1 *Non-viscous flammable liquids***

The following is a list of documents describing methods used in certain countries for determining the flash point of substances of Class 3:

France (Association française de normalisation, AFNOR, Tour Europe, 92049 Paris La Défense Cedex):

French Standard NF M 07 - 019  
French Standards NF M 07 - 011 / NF T 30 - 050 / NF T 66 - 009  
French Standard NF M 07 - 036

Germany (Deutsches Institut für Normung, Burggrafenstr 6, D-10787 Berlin):

Standard DIN 51755 (flash points below 65 °C)  
Standard DIN EN 22719 (flash points above 5 °C)  
Standard DIN 53213 (for varnishes, lacquers and similar viscous liquids with flash points below 65 °C)

Netherlands:

ASTM D93-90  
ASTM D3278-89  
ISO 1516  
ISO 1523  
ISO 3679  
ISO 3680

Russian Federation (State Committee of the Council of Ministers for Standardization, 113813, GSP, Moscow, M-49 Leninsky Prospect, 9):

GOST 12.1.044-84

United Kingdom (British Standards Institution, Linford Wood, Milton Keynes, MK14 6LE):

British Standard BS EN 22719  
British Standard BS 2000 Part 170

United States of America (American Society for Testing Materials, 1916 Race Street, Philadelphia, Penna 19103):

ASTM D 3828-93, Standard Test Methods for Flash Point by Small Scale Closed Tester  
ASTM D 56-93, Standard Test Method for Flash Point by Tag Closed Tester  
ASTM D 3278-96, Standard Test Methods for Flash Point of Liquids by Setaflash Closed-Cup Apparatus  
ASTM D 0093-96, Standard Test Methods for Flash Point by Pensky-Martens Closed Cup Tester

### **32.4.2 *Viscous flammable substances with a flash point of less than 23 °C***

32.4.2.1 The hazard group of paints, varnishes, enamels, lacquers, adhesives, polishes and other viscous flammable substances of Class 3 with a flash point of less than 23 °C is determined by reference to:

(a) The viscosity expressed as the flow-time in seconds (see 32.4.3);

- (b) The closed-cup flash point (see 32.4.2.2); and
- (c) A solvent separation test (see 32.5.1).

32.4.2.2 The closed-cup flash point is determined according to the ISO method ISO 1523:1983 for paints and varnishes. Where the temperature of the flash point is too low for the use of water in the water bath, the following modifications should be made:

- (a) Use ethylene glycol in the water bath or other suitable similar container;
- (b) Where appropriate, a refrigerator may be used to cool the sample and apparatus to below the temperature required by the method for the expected flash point. For lower temperatures, the sample and equipment should be cooled to a suitable temperature - for example, by adding of solid carbon dioxide slowly to the ethylene glycol, the sample being similarly cooled in a separate container of ethylene glycol;
- (c) In order to obtain reliable flash points, it is important that the recommended rate of temperature rise for the sample during testing is not exceeded. Depending on the size of the water bath and the amount of ethylene glycol it contains, it may be necessary partially to insulate the water bath to achieve a sufficiently slow rate of temperature rise.

### 32.4.3 *Viscosity test*

The flow-time in seconds is determined at 23 °C using the ISO standard cup with a 4 mm jet (ISO 2431:1984). Where the flow-time exceeds 100 seconds, a second test is carried out using the ISO standard cup with a 6 mm jet.

## **32.5 Test methods for determining solvent separation and sustained combustion**

### **32.5.1 Test L.1: Solvent separation test**

#### *32.5.1.1 Introduction*

This test is used to determine the extent of solvent separation in viscous liquids such as paints, enamels, varnishes, adhesives and polishes with a flash point of less than 23 °C.

#### *32.5.1.2 Apparatus and materials*

A stoppered 100 ml measuring cylinder is required of approximately 25 cm total height and of a uniform internal diameter of approximately 3 cm over the calibrated section.

#### *32.5.1.3 Procedure*

The paint should be stirred to obtain a uniform consistency and poured in up to the 100 ml mark. The stopper should be inserted and the cylinder left standing undisturbed for 24 hours. After 24 hours, the height of the upper separated layer should be measured.

#### *32.5.1.4 Test criteria and method of assessing results*

The height of the upper separated layer should be expressed as a percentage of the total height of the sample. If less than 3% of clear solvent separates out then the substance may be considered for inclusion in Packing Group III (see 32.3.1.6 and 32.3.1.7).

### 32.5.2 *Test L.2: Sustained combustibility test*

#### 32.5.2.1 *Introduction*

This test is used to determine if a substance sustains combustion when heated under the test conditions and exposed to a flame. A metal block with a concave depression (sample well) is heated to a specified temperature. A specified volume of the substance under test is transferred to the well and its ability to sustain combustion is noted after application and subsequent removal of a standard flame under specified conditions.

#### 32.5.2.2 *Apparatus and materials*

32.5.2.2.1 A combustibility tester is used consisting of a block of aluminium alloy or other corrosion resistant metal of high thermal conductivity. The block has a concave well and a pocket drilled to take a thermometer. A small gas jet assembly on a swivel is attached to the block. The handle and gas inlet for the gas jet may be fitted at any convenient angle to the gas jet. A suitable apparatus is shown in Figure 32.5.2.1 and the essential diagrams are given in figures 32.5.2.1 and 32.5.2.2. The following apparatus is also required:

- (a) *Gauge*, for checking that the height of the centre of the gas jet above the top of the sample well is 2.2 mm (see Figure 32.5.2.1);
- (b) *Thermometer*, mercury in glass, for horizontal operation, with a sensitivity not less than 1 mm/ °C, or other measuring device of equivalent sensitivity permitting reading at 0.5 °C intervals. When in position in the block, the thermometer bulb should be surrounded with thermally conducting thermoplastic compound;
- (c) *Hotplate*, fitted with a temperature-control device (Other types of apparatus with suitable temperature-control facilities may be employed to heat the metal block.);
- (d) *Stopwatch*, or other suitable timing device;
- (e) *Syringe*, capable of delivering 2.0 ml to an accuracy of  $\pm 0.1$  ml;
- (f) *Fuel*, butane.

32.5.2.2.2 The sample should be representative of the substance to be tested and should be supplied and kept in a tightly closed container prior to the test. Because of the possibility of loss of volatile constituents, the sample should receive only the minimum treatment to ensure its homogeneity. After removing each test portion, the sample container should be immediately closed tightly to ensure that no volatile components escape from the container; if this closure is incomplete, an entirely new sample should be taken.

#### 32.5.2.3 *Procedure*

32.5.2.3.1 It is essential that the apparatus is set up in a completely draught-free area<sup>1</sup> and in the absence of strong light to facilitate observation of flash, flame, etc.

32.5.2.3.2 Place the metal block on the hotplate or heat the metal block by other suitable means so that its temperature, as indicated by the thermometer placed in the metal block, is maintained at the specified temperature within a tolerance of  $\pm 1$  °C. The test temperature is 60.5 °C or 75 °C (see 32.5.2.3.8). Correct this temperature for the difference in barometric pressure from the standard atmospheric pressure (101.3 kPa) by raising the test temperature for a higher pressure, or lowering the test temperature for a lower pressure,

<sup>1</sup> **Warning - do not carry out the test in a small confined area (for example, a glove box) because of the hazard of explosions.**

by 1.0 °C for each 4 kPa difference. Ensure that the top of the metal block is exactly horizontal. Use the gauge to check that the jet is 2.2 mm above the top of the well when in the test position.

32.5.2.3.3 Light the butane with the jet away from the test position (i.e. in the "off" position, away from the well). Adjust the size of the flame so that it is 8 mm to 9 mm high and approximately 5 mm wide.

32.5.2.3.4 Using the syringe, take from the sample container at least 2 ml of the sample and rapidly transfer a test portion of  $2.0 \text{ ml} \pm 0.1 \text{ ml}$  to the well of the combustibility tester and immediately start the timing device.

32.5.2.3.5 After a heating time of 60 s, by which time the test portion is deemed to have reached its equilibrium temperature, and if the test fluid has not ignited, swing the test flame into the test position over the edge of the pool of liquid. Maintain it in this position for 15 s and then return it to the "off" position whilst observing the behaviour of the test portion. The test flame should remain alight throughout the test.

32.5.2.3.6 The test should be performed in triplicate. For each test observe and record:

- (a) Whether there is ignition and sustained combustion or flashing, or neither, of the test portion before the test flame is moved into the test position; and
- (b) Whether the test portion ignites while the test flame is in the test position, and, if so, how long combustion is sustained after the test flame is returned to the "off" position.

32.5.2.3.7 If sustained combustion, interpreted in accordance with 32.5.2.4, is not found, repeat the complete procedure with new test portions, but with a heating time of 30 s.

32.5.2.3.8 If sustained combustion, interpreted in accordance with 32.5.2.4, is not found at a test temperature of 60.5 °C, repeat the complete procedure with new test portions, but at a test temperature of 75 °C.

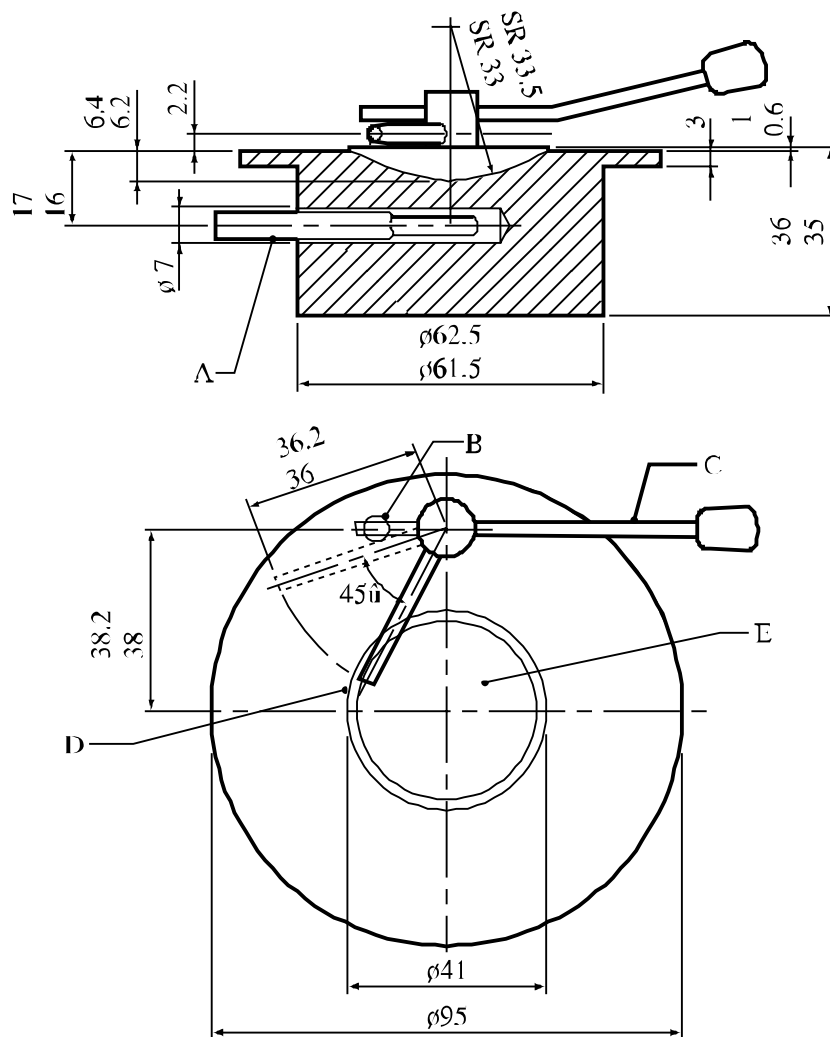
#### 32.5.2.4 *Test criteria and method of assessing results*

The substance should be assessed either as not sustaining combustion or as sustaining combustion. Sustained combustion should be reported at either of the heating times or temperatures if one of the following occurs with any of the test portions:

- (a) When the test flame is in the "off" position, the test portion ignites and sustains combustion; or
- (b) The test portion ignites while the test flame is in the test position, maintained for 15 s, and sustains combustion for more than 15 s after the test flame has been returned to the "off" position.

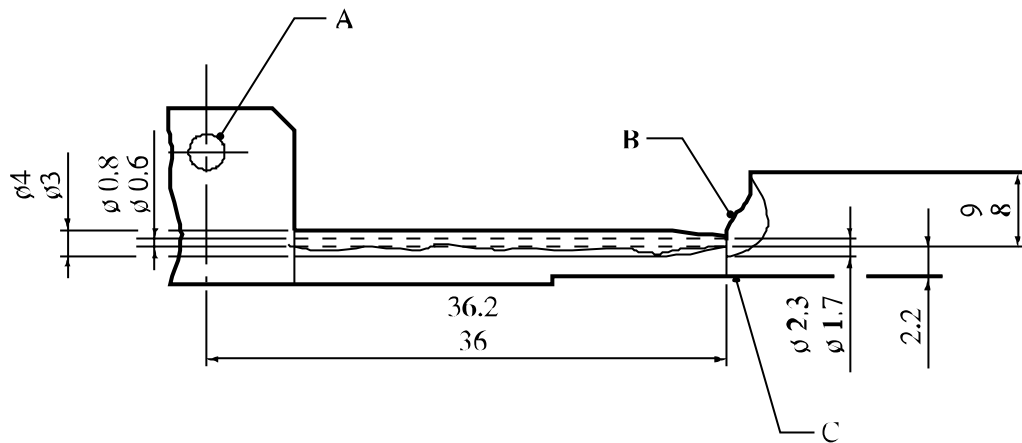
Intermittent flashing should not be interpreted as sustained combustion. Normally, at the end of 15 s, the combustion has either clearly ceased or continues. In cases of doubt, the substance should be deemed to sustain combustion.





- 
- (A) Thermometer
  - (B) Stop
  - (C) Handle
  - (D) Test gas jet
  - (E) Sample well
- 

**Figure 32.5.2.1: COMBUSTIBILITY TESTER**



- 
- (A) Butane gas inlet
  - (B) Test flame
  - (C) Sample well
- 

**Figure 32.5.2.2: TEST GAS JET AND FLAME**

## SECTION 33

### CLASSIFICATION PROCEDURES, TEST METHODS AND CRITERIA RELATING TO CLASS 4

#### 33.1 Introduction

This section of the test manual contains classification procedures, test methods and criteria relating to substances (except self-reactive substances of Division 4.1, see Part II) and articles of Class 4.

#### 33.2 Division 4.1

##### 33.2.1 *Flammable solids*

##### 33.2.1.1 *Purpose*

33.2.1.1.1 Section 33.2.1.3 presents the United Nations scheme for the classification of readily combustible solids of Division 4.1 (see sub-section 2.4.2.2 of the Model Regulations). The text should be used in conjunction with the classification principles given in paragraphs 2.4.2.2.2 and 2.4.2.2.3 of the Model Regulations, the flow chart given in Figure 33.2.1.3 and the test prescription given here in 33.2.1.4.

33.2.1.1.2 In order to differentiate between substances that can be ignited and those which burn rapidly, or whose burning behaviour is particularly dangerous, only substances whose burning rate exceeds a certain limiting value are classified in Division 4.1.

33.2.1.1.3 The test procedures outlined here and in the Model Regulations adequately assess the relative hazard of readily combustible solids so that an appropriate classification for transport can be made.

##### 33.2.1.2 *Scope*

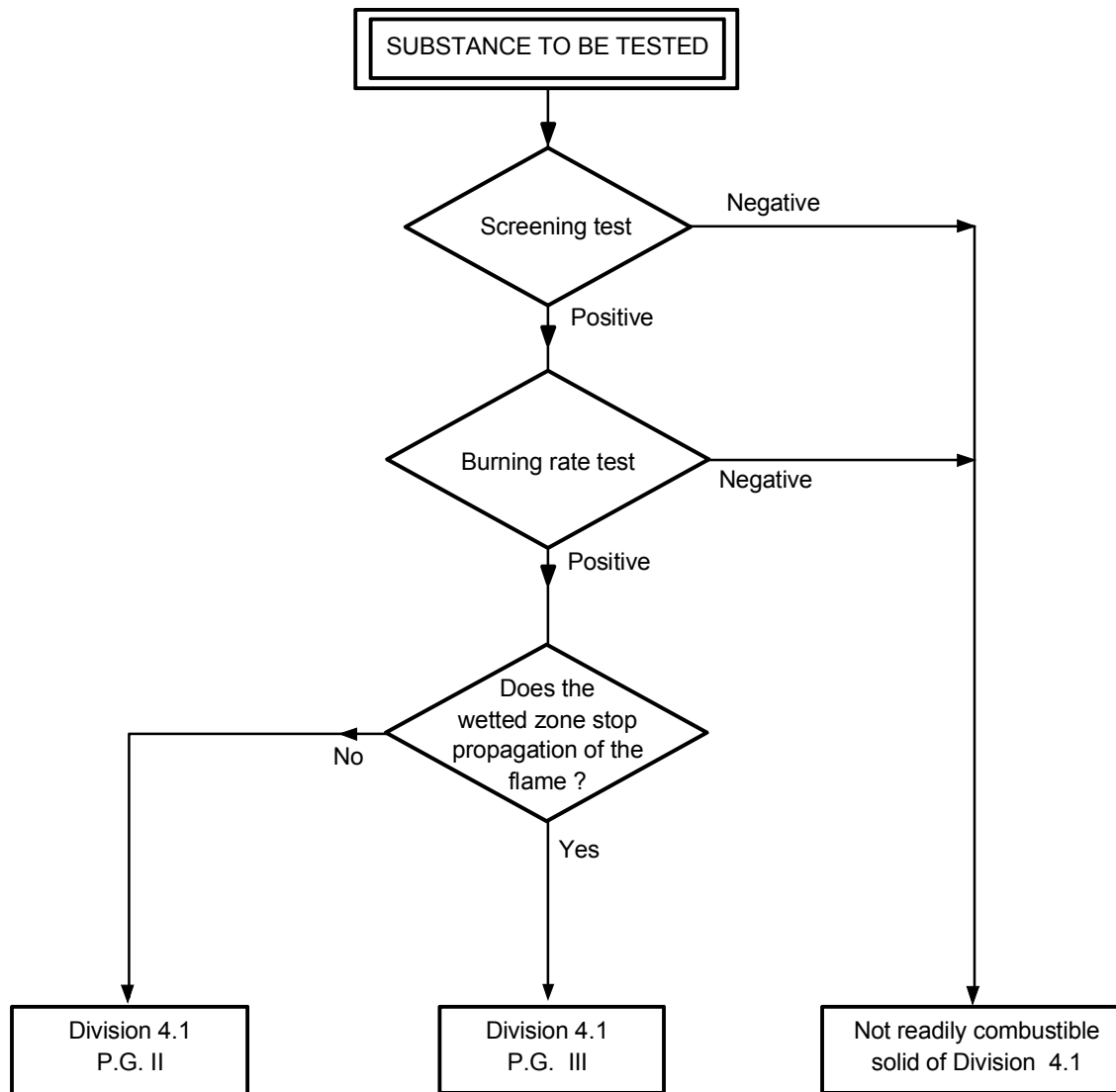
33.2.1.2.1 Products offered for transport should be subjected to the classification procedures as set out in paragraphs 2.4.2.2.2 and 2.4.2.2.3 of the Model Regulations, unless it is impracticable (e.g. because of the physical form) to perform the tests. Substances or articles which cannot be tested should be classified by analogy with existing entries (see paragraph 2.4.2.2.2.2 of the Model Regulations). The classification procedure should be undertaken before a new product is offered for transport.

##### 33.2.1.3 *Classification procedure for readily combustible solids*

33.2.1.3.1 A preliminary screening test is performed to determine if, on ignition by a gas flame, propagation by burning with flame or smouldering occurs. If propagation occurs within a specified time then the full test is carried out to determine the rate and vigour of burning.

33.2.1.3.2 The tests should only be applied to granular, paste-like or powdery substances. If in the screening test, the substance does not ignite and propagate combustion either by burning with flame or smouldering, it is not necessary to perform the complete burning rate test as the substance is not a readily combustible solid of Division 4.1. If propagation occurs and the burning time is less than a specified time, the full burning rate test should be performed. Whether the substance is a readily combustible solid of Division 4.1 and, if so, whether Packing Group II or III should be assigned is decided on the basis of the test result.

**Figure 33.2.1.3: FLOW CHART FOR ASSIGNING READILY COMBUSTIBLE SOLIDS, EXCEPT METAL POWDERS, TO DIVISION 4.1**



#### 33.2.1.4 *Test N.1: Test method for readily combustible solids*

##### 33.2.1.4.1 *Introduction*

The ability of a substance to propagate combustion is tested by igniting it and determining the burning time.

##### 33.2.1.4.2 *Apparatus and materials*

A mould 250 mm long with a triangular cross-section of inner height 10 mm and width 20 mm is used to form the train for the burning rate test. On both sides of the mould, in the longitudinal direction, two metal sheets are mounted as lateral limitations which extend 2 mm beyond the upper edge of the triangular cross-section (Figure 33.2.1.4.1). An impervious, non-combustible, low heat-conducting plate is used to support the sample train.

##### 33.2.1.4.3 *Procedure*

###### 33.2.1.4.3.1 Preliminary screening test

The substance in its commercial form, should be formed into an unbroken strip or powder train about 250 mm long by 20 mm wide by 10 mm high on a cool, impervious, low heat-conducting base plate. A hot flame (minimum temperature 1000 °C) from a gas burner (minimum diameter 5 mm) should be applied to one end of the powder train until the powder ignites or for a maximum of 2 minutes (5 minutes for powders of metals or metal-alloys). It should be noted whether combustion propagates along 200 mm of the train within the 2 minute test period (or 20 minutes for metal powders). If the substance does not ignite and propagate combustion either by burning with flame or smouldering along 200 mm of the powder train within the 2 minute (or 20 minute) test period, then the substance should not be classified as a flammable solid and no further testing is required. If the substance propagates burning of a 200 mm length of the powder train in less than 2 minutes or less than 20 minutes for metal powders, the full test programme in 33.2.1.4.3.2 should be carried out.

###### 33.2.1.4.3.2 Burning rate test

33.2.1.4.3.2.1 The powdered or granular substance, in its commercial form, should be loosely filled into the mould. The mould is then dropped three times from a height of 20 mm onto a solid surface. The lateral limitations are then removed and the impervious, non-combustible, low heat-conducting plate is placed on top of the mould, the apparatus inverted and the mould removed. Pasty substances are spread on a non-combustible surface in the form of a rope 250 mm in length with a cross-section of about 100 mm<sup>2</sup>. In the case of a moisture sensitive substance, the test should be carried out as quickly as possible after its removal from the container. The pile should be arranged across the draught in a fume cupboard. The air speed should be sufficient to prevent fumes escaping into the laboratory and should not be varied during the test. A draught screen may be erected around the apparatus.

33.2.1.4.3.2.2 For substances other than metal powders, 1 ml of a wetting solution should be added to the pile 30 - 40 mm beyond the 100 mm timing zone. Apply the wetting solution to the ridge drop by drop, ensuring the whole cross-section of the pile is wetted without loss of liquid from the sides. The liquid should be applied over the shortest possible length of the pile consistent with avoiding loss from the sides. With many substances, water rolls off the sides of the pile, so the addition of wetting agents may be necessary. Wetting agents used should be free from combustible diluents and the total active matter in the wetting solution should not exceed 1%. This liquid may be added to a hollow up to 3 mm deep and 5 mm in diameter in the top of the pile.

33.2.1.4.3.2.3 Any suitable ignition source such as a small flame or a hot wire of minimum temperature 1000 °C is used to ignite the pile at one end. When the pile has burned a distance of 80 mm, measure the rate of burning over the next 100 mm. For substances other than metal powders, note whether or

not the wetted zone stops propagation of the flame for at least 4 minutes. The test should be performed six times using a clean cool plate each time, unless a positive result is observed earlier.

#### 33.2.1.4.4 *Test criteria and method of assessing results*

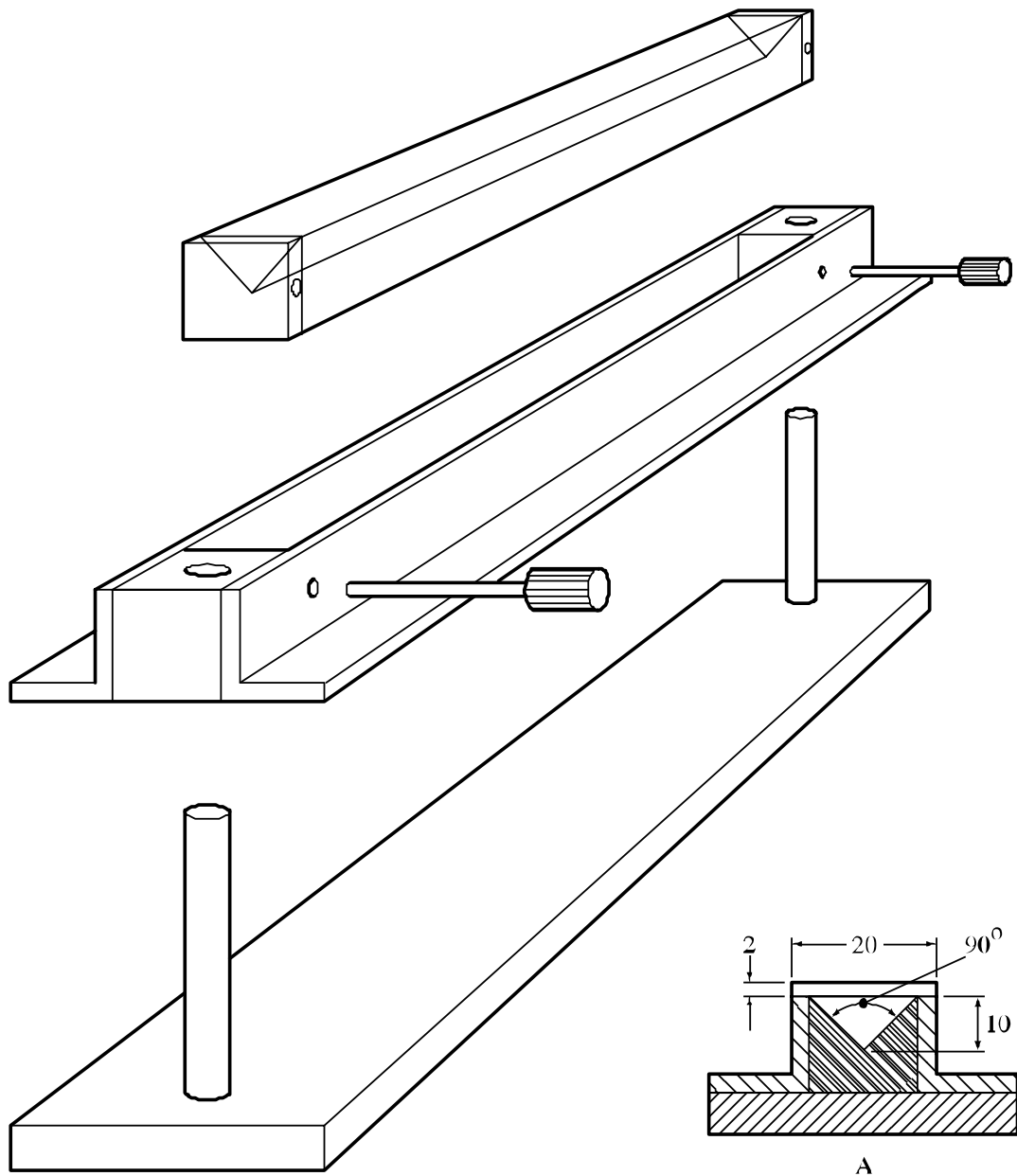
33.2.1.4.4.1 Powdered, granular or pasty substances should be classified in Division 4.1 when the time of burning of one or more of the test runs, in accordance with the test method described in 33.2.1.3.4.2, is less than 45 s or the rate of burning is more than 2.2 mm/s. Powders of metals or metal alloys should be classified when they can be ignited and the reaction spreads over the whole length of the sample in 10 minutes or less.

33.2.1.4.4.2 For readily combustible solids (other than metal powders), Packing Group II should be assigned if the burning time is less than 45 s and the flame passes the wetted zone. Packing Group II should be assigned to powders of metal or metal alloys if the zone of reaction spreads over the whole length of the sample in five minutes or less.

33.2.1.4.4.3 For readily combustible solids (other than metal powders), Packing Group III should be assigned if the burning time is less than 45 s and the wetted zone stops the flame propagation for at least four minutes. Packing Group III should be assigned to metal powders if the reaction spreads over the whole length of the sample in more than five minutes but not more than ten minutes.

#### 33.2.1.4.5 *Examples of results*

<b>Substance</b>	<b>Preliminary burning time (s)</b>	<b>Burning time (s)</b>	<b>Delay time (s)</b>	<b>Result</b>
Manganese ethylene bis (dithiocarbamate) complex with zinc salt 88% (Mancozeb)	-	102	-	Not 4.1
Manganese ethylene bis (dithiocarbamate) complex with zinc salt 80% (Mancozeb)	-	145	-	Not 4.1
Manganese ethylene bis (dithiocarbamate) complex with zinc salt 75% (Mancozeb)	No ignition	-	-	Not 4.1



---

(A) Cross-section of 250 mm long mould

---

**Figure 33.2.1.4.1: MOULD AND ACCESSORIES FOR THE PREPARATION OF THE PILE FOR THE BURNING RATE TEST**

33.2.2 (Reserved)

**33.2.3 *Solid desensitized explosives of Division 4.1***

33.2.3.1 This sub-section presents the United Nations scheme for the classification of desensitized explosives of Division 4.1 (see sub-section 2.4.2.4 of the Model Regulations). Solid desensitized explosives are substances which are wetted with water or alcohols or are diluted with other substances to form a homogeneous solid mixture to suppress their explosive properties.

33.2.3.2 New products which are thermally stable and have, or are suspected of having, explosive properties should first be considered for Class 1 and the Class 1 acceptance procedure and, if necessary, the assignment procedure applied.

33.2.3.3 Where a substance is assigned to Class 1 but is diluted to be exempted from Class 1 by test series 6 (see section 16), this diluted substance, when meeting the classification criteria or definition for another class or division, should be classified in that class or division at the highest concentration which exempts it from Class 1. When sufficiently diluted, such substances may be deemed to be non-dangerous (see also paragraph 2.1.3.5.3 of the Model Regulations).



**33.3 Division 4.2****33.3.1 Substances liable to spontaneous combustion**33.3.1.1 *Purpose*

33.3.1.1.1 This sub-section presents the United Nations scheme for the classification of substances liable to spontaneous combustion of Division 4.2 (see section 2.4.3 of the Model Regulations). The text should be used in conjunction with the classification principles given in sub-sections 2.4.3.2 and 2.4.3.3 of the Model Regulations and the test prescriptions given here in 33.3.1.4 to 33.3.1.6.

33.3.1.1.2 The test procedures are intended to identify two types of substances with spontaneous combustion properties:

- (a) Substances, including mixtures and solutions (liquid or solid) which, even in small quantities, ignite within five minutes of coming in contact with air. These substances are the most liable to spontaneous combustion and are called pyrophoric substances;
- (b) Other substances which, in contact with air and without an energy supply, are liable to self-heating. These substances will ignite only when in large amounts (kilograms) and after long periods of time (hours or days) and are called self-heating substances.

33.3.1.1.3 The test procedures outlined here adequately assess the relative hazard of substances liable to spontaneous combustion so that an appropriate classification for transport can be made.

33.3.1.2 *Scope*

33.3.1.2.1 Products offered for transport should be subjected to the classification procedures as set out in sub-sections 2.4.3.2 and 2.4.3.3 of the Model Regulations, unless it is impracticable (e.g. because of the physical properties) to perform the tests. The classification procedure should be undertaken before a product is offered for transport.

33.3.1.3 *Classification procedure for substances liable to spontaneous combustion*

## 33.3.1.3.1 Pyrophoric solids

A test is performed to determine if a solid ignites within five minutes of coming in contact with air. The recommended test method is given here, in 33.3.1.4. Whether a substance is a pyrophoric solid of Division 4.2 is decided on the basis of the test result. Packing group I is assigned to all pyrophoric solids.

## 33.3.1.3.2 Pyrophoric liquids

A test is performed to determine if a liquid ignites when added to an inert carrier and exposed to air for five minutes. If no ignition occurs then the second part of the test is performed to determine if it chars or ignites a filter paper. The recommended test method is given here in 33.3.1.5. Whether a substance is a pyrophoric liquid of Division 4.2 is decided on the basis of the test result. Packing group I is assigned to all pyrophoric liquids.

## 33.3.1.3.3 Self-heating substances

33.3.1.3.3.1 Tests are performed to determine if substances in a 25 mm or 100 mm sample cube, at test temperatures of 100 °C, 120 °C or 140 °C, undergo spontaneous ignition or dangerous self-heating, which is indicated by a 60 °C rise in temperature over the oven temperature within 24 hours. The classification scheme is illustrated in Figure 33.3.1.3.3.1. These criteria are based on the self-ignition temperature of charcoal, which is 50 °C for a sample cube of 27 m<sup>3</sup>. Substances with a temperature of spontaneous combustion higher than 50 °C for a volume of 27 m<sup>3</sup> should not be assigned to Division 4.2. Substances with

a spontaneous ignition temperature higher than 50 °C for a volume of 450 litres should not be assigned to packing group II of Division 4.2. The recommended test method is given here in 33.3.1.6.

33.3.1.3.3.2 If dangerous self-heating does not occur with the substance in a 100 mm sample cube at 140 °C then the substance is not a self-heating substance of Division 4.2.

33.3.1.3.3.3 If dangerous self-heating occurs with the substance in a 100 mm sample cube at 140 °C then a test with the substance in a 25 mm sample cube should be performed at 140 °C to determine if it should be assigned to packing group II.

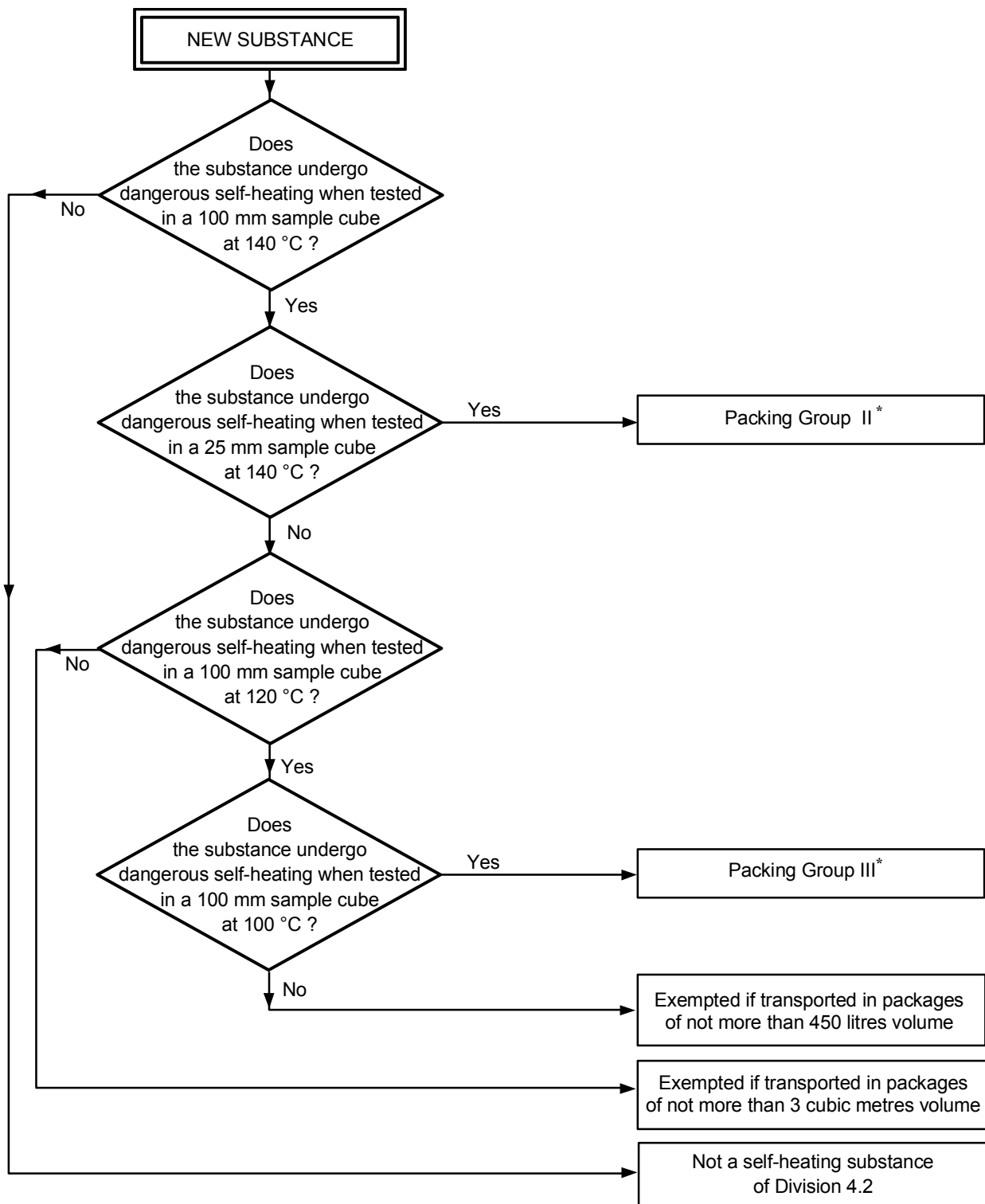
33.3.1.3.3.4 If dangerous self-heating occurs at 140 °C with the substance in a 100 mm sample cube, but not a 25 mm sample cube, then a test with the substance in a 100 mm sample cube should be performed:

- (a) At 120 °C if it is to be transported in packages of not more than 3 m<sup>3</sup> volume; or
- (b) At 100 °C if the substance is to be transported in packages of not more than 450 litres volume.

Whether packing group III of Division 4.2 is assigned or the substance is not a self-heating substance of Division 4.2, in the packaging to be used, is decided on the basis of the test results.

33.3.1.3.3.5 Self-reactive substances type G which give a positive result with this test method may be classified in Division 4.2 (see 20.2.6).

**Figure 33.3.1.3.3.1: CLASSIFICATION OF SELF-HEATING SUBSTANCES**



\* Substances with a temperature for spontaneous combustion higher than 50 °C for 27 m<sup>3</sup> should not be classified in Division 4.2.

**33.3.1.4 Test N.2: Test method for pyrophoric solids**33.3.1.4.1 *Introduction*

The ability of a solid to ignite on contact with air is tested by exposure to air and determining the time to ignition.

33.3.1.4.2 *Apparatus and materials*

No special laboratory equipment is required.

33.3.1.4.3 *Procedure*

One to two ml of the powdery substance to be tested should be poured from about 1 m height onto a non-combustible surface and it is observed whether the substance ignites during dropping or within 5 minutes of settling. This procedure should be performed six times unless a positive result is obtained earlier.

33.3.1.4.4 *Test criteria and method of assessing results*

If the sample ignites in one of the tests, the substance should be considered pyrophoric and should be classified in Packing Group I of Division 4.2.

33.3.1.4.5 *Examples of results*

<b>Substance</b>	<b>Time to ignition (s)</b>	<b>Result</b>
Manganese ethylene bis (dithiocarbamate) complex with zinc salt 88% (Mancozeb)	No ignition within 5 minutes	Not PG I of 4.2
Manganese ethylene bis (dithiocarbamate) complex with zinc salt 80% (Mancozeb)	No ignition within 5 minutes	Not PG I of 4.2
Manganese ethylene bis (dithiocarbamate) complex with zinc salt 75% (Mancozeb)	No ignition within 5 minutes	Not PG I of 4.2

33.3.1.5 ***Test N.3: Test method for pyrophoric liquids***33.3.1.5.1 *Introduction*

The ability of a liquid to ignite when added to an inert carrier and exposed to air, or to char or ignite a filter paper on contact with air, is determined.

33.3.1.5.2 *Apparatus and materials*

A porcelain cup of about 100 mm diameter and some diatomaceous earth or silica gel is required for the first part of the test, and small pore size filter paper for the second part.

33.3.1.5.3 *Procedure*

33.3.1.5.3.1 A porcelain cup of about 100 mm diameter should be filled with diatomaceous earth or silica gel at room temperature to a height of about 5 mm. Approximately 5 ml of the liquid to be tested should be poured into the prepared porcelain cup and it is observed if the substance ignites within 5 minutes. This procedure should be performed six times unless a positive result is obtained earlier. If a negative result is obtained then the procedure in 33.3.1.5.3.2 should be followed.

33.3.1.5.3.2 A 0.5 ml test sample should be delivered from a syringe to an indented dry filter paper. The test should be conducted at  $25 \pm 2$  °C and a relative humidity of  $50 \pm 5$ %. Observations are made to see if ignition or charring occurs on the filter paper within five minutes of addition of the liquid. This procedure should be performed three times using fresh filter paper each time unless a positive result is obtained earlier.

33.3.1.5.4 *Test criteria and method of assessing results*

If the liquid ignites in the first part of the test, or if it ignites or chars the filter paper, it should be considered to be pyrophoric and should be classified in Packing Group I of Division 4.2.

33.3.1.5.5 *Examples of results*

<b>Substance</b>	<b>Effect of exposure to air</b>	<b>Effect on filter paper</b>	<b>Result</b>
Diethyl aluminium chloride/isopentane (10/90)	No ignition	No charring	Not 4.2
Diethyl aluminium chloride/isopentane (15/85)	No ignition	Charring	4.2
Diethyl aluminium chloride/isopentane (95/5)	No ignition	Charring	4.2
Triethyl aluminium/heptane (10/90)	No ignition	No charring	Not 4.2
Triethyl aluminium/heptane (15/85)	No ignition	Charring	4.2
Triethyl aluminium/heptane (95/5)	No ignition	Charring	4.2

33.3.1.6 ***Test N.4: Test method for self-heating substances***33.3.1.6.1 *Introduction*

The ability of a substance to undergo oxidative self-heating is determined by exposure of it to air at temperatures of 100 °C, 120 °C or 140 °C in a 25 mm or 100 mm wire mesh cube.

33.3.1.6.2 *Apparatus and materials*

The following apparatus is required:

- a) a hot-air circulating type of oven with an inner volume of more than 9 litres and capable of controlling the internal temperature at 100 °C, 120 °C or 140 °C  $\pm$  2 °C;
- b) cubic sample containers of 25 mm and 100 mm side, made of stainless steel net with a mesh opening of 0.05 mm, with their top surface open; and
- c) Chromel-Alumel thermocouples of 0.3 mm diameter; one placed in the centre of the sample and another between the sample container and the oven wall.

Each sample container should be housed in a cubic container cover made from a stainless steel net with a mesh opening of 0.60 mm, and slightly larger than the sample container. In order to avoid the effect of air circulation, this cover is installed in a second stainless steel cage, made from a net with a mesh size of 0.595 mm and 150 × 150 × 250 mm in size.

33.3.1.6.3 *Procedure*

The sample, powder or granular, in its commercial form, should be filled to the brim of the sample container and the container tapped several times. If the sample settles, more is added. If the sample is heaped it should be levelled to the brim. The container is housed in the cover and hung at the centre of the oven. The oven temperature should be raised to 140 °C and kept there for 24 hours. The temperature of the sample and of the oven should be recorded continuously. The first test<sup>1</sup> may be conducted with a 100 mm cube sample. A positive result is obtained if spontaneous ignition occurs or if the temperature of the sample exceeds the oven temperature by 60 °C. If a negative result is obtained, no further test is necessary. If a positive result is obtained, a second test should be conducted at 140 °C with a 25 mm cube sample to determine whether or not packing group II should be assigned. If a positive result is obtained at 140 °C with the substance in a 100 mm sample cube, but not a 25 mm sample cube, then an additional test with the substance in a 100 mm sample cube should be performed:

- (a) At 120 °C if the substance is to be transported in packagings of more than 450 litre volume but not more than 3 m<sup>3</sup> volume; or
- (b) At 100 °C if the substance is to be transported in packagings of not more than 450 litres volume.

33.3.1.6.4 *Test criteria and method of assessing results*

33.3.1.6.4.1 A positive result is obtained if spontaneous ignition occurs or if the temperature of the sample exceeds the oven temperature by 60 °C during the 24 hour testing time. Otherwise, the result is considered negative.

---

<sup>1</sup> *The tests may be performed in any order. For example, if it is expected that a positive result will be obtained using a 25 mm cube sample then, for safety and environmental protection, the first test may be performed with a 25 mm cube sample. If a positive result is obtained with a 25 mm cube sample then a test with a 100 mm cube sample is not necessary.*

- 33.3.1.6.4.2 A substance should not be classified in Division 4.2 if:
- (a) A negative result is obtained in a test using a 100 mm cube sample at 140 °C;
  - (b) A positive result is obtained in a test using a 100 mm sample cube at 140 °C and a negative result is obtained in a test using a 25 mm cube sample at 140 °C, a negative result is obtained in a test using a 100 mm cube sample at 120 °C and the substance is to be transported in packages with a volume not more than 3 m<sup>3</sup>;
  - (c) A positive result is obtained in a test using a 100 mm sample cube at 140 °C and a negative result is obtained in a test using a 25 mm cube sample at 140 °C, a negative result is obtained in a test using a 100 mm cube sample at 100 °C and the substance is to be transported in packages with a volume not more than 450 litres.
- 33.3.1.6.4.3 Packing Group II should be assigned to self-heating substances which give a positive result in a test using a 25 mm sample cube at 140 °C.
- 33.3.1.6.4.4 Packing Group III should be assigned to self-heating substances if:
- (a) A positive result is obtained in a test using a 100 mm sample cube at 140 °C and a negative result is obtained in a test using a 25 mm cube sample at 140 °C and the substance is to be transported in packages with a volume of more than 3 m<sup>3</sup>;
  - (b) A positive result is obtained in a test using a 100 mm sample cube at 140 °C and a negative result is obtained in a test using a 25 mm cube sample at 140 °C, a positive result is obtained in a test using a 100 mm cube sample at 120 °C and the substance is to be transported in packages with a volume of more than 450 litres;
  - (c) A positive result is obtained in a test using a 100 mm sample cube at 140 °C and a negative result is obtained in a test using a 25 mm cube sample at 140 °C and a positive result is obtained in a test using a 100 mm cube sample at 100 °C.

33.3.1.6.5 *Examples of results*

<b>Substance</b>	<b>Oven temperature (°C)</b>	<b>Cube size (mm)</b>	<b>Maximum temperature reached (°C)</b>	<b>Result</b>
Cobalt/molybdenum catalyst granules	140	100	>200	
	140	25	181	P.G. III of 4.2 <sup>a</sup>
Manganese ethylene bis (dithiocarbamate) 80% (Maneb)	140	25	> 200	P.G. II of 4.2
Manganese ethylene bis (dithiocarbamate) complex with zinc salt 75% (Mancozeb)	140	25	> 200	P.G. II of 4.2
Nickel catalyst granules with 70% hydrogenated oil	140	100	140	Not 4.2
Nickel catalyst granules with 50% white oil	140	100	> 200	
	140	25	140	P.G. III of 4.2 <sup>a</sup>
Nickel/molybdenum catalyst granules (spent)	140	100	> 200	
	140	25	150	P.G. III of 4.2 <sup>a</sup>
Nickel/molybdenum catalyst granules (passivated)	140	100	161	Not 4.2
Nickel/vanadium catalyst Granules	140	25	> 200	P.G. II of 4.2

<sup>a</sup> *Not tested at 100 °C or 120 °C.*



### **33.4 Division 4.3**

#### **33.4.1 *Substances which in contact with water emit flammable gases***

##### *33.4.1.1 Purpose*

33.4.1.1.1 This section of the test manual presents the United Nations scheme for the classification of substances of Division 4.3 which in contact with water emit flammable gases (see section 2.4.4 of the Model Regulations). The text should be used in conjunction with the classification principles given in sub-sections 2.4.4.2 and 2.4.4.3 of the Model Regulations, together with the test prescription given here in 33.4.1.4.

33.4.1.1.2 The test procedure is intended to determine whether the reaction of a substance with water leads to the development of a dangerous amount of gases which may be flammable.

33.4.1.1.3 The test procedures outlined here adequately assess the relative hazard of substances liable to emit flammable gases on contact with water (sometimes referred to as water reactive substances in the Model Regulations) so that an appropriate classification for transport can be made.

##### *33.4.1.2 Scope*

33.4.1.2.1 New products offered for transport should be subjected to the classification procedures as set out in sub-sections 2.4.4.2 and 2.4.4.3 of the Model Regulations. The classification procedure should be undertaken before a new product is offered for transport.

##### *33.4.1.3 Classification procedure for substances which in contact with water emit flammable gases*

33.4.1.3.1 The test method can be applied to solid and liquid substances. In case a pyrophoric substance is tested, the test should be executed under nitrogen atmosphere. The substance should be tested in its commercial form at ambient temperature (20 °C) by bringing it into contact with water. If during any stage of the test the gas emitted ignites then no further testing is necessary and the substance should be assigned to Division 4.3. If spontaneous ignition of the emitted gas does not occur then the final stage of the test should be performed to determine the rate of emission of flammable gas. The recommended test method, with possible results, is given here in 33.4.1.4. Whether a substance is a water-reactive substance of Division 4.3 and, if so, whether Packing Group I, II or III should be assigned is decided on the basis of the test result.

**33.4.1.4 Test N.5: Test method for substances which in contact with water emit flammable gases**33.4.1.4.1 *Introduction*

The ability of a substance to emit flammable gases on contact with water is tested by bringing it into contact with water under a variety of conditions.

33.4.1.4.2 *Apparatus and materials*

No special laboratory apparatus is required.

33.4.1.4.3 *Procedure*

33.4.1.4.3.1 The substance should be tested according to the procedures described below; if spontaneous ignition occurs at any stage then no further testing is necessary. If it is known that the substance does not react violently with water then proceed to 33.4.1.4.3.5.

33.4.1.4.3.2 A small quantity (approximately 2 mm diameter) of the test substance should be placed in a trough of distilled water at 20 °C. It is noted:

- (a) Whether any gas is evolved; and
- (b) If spontaneous ignition of the gas occurs.

33.4.1.4.3.3 A small quantity of the test substance (approximately 2 mm diameter) should be placed on the centre of a filter paper which is floated flat on the surface of distilled water at 20 °C in a suitable vessel, e.g. a 100 mm diameter evaporating dish. The filter paper is to keep the substance in one place, under which condition the likelihood of spontaneous ignition of any gas is greatest. It is noted:

- (a) Whether any gas is evolved; and
- (b) If spontaneous ignition of the gas occurs.

33.4.1.4.3.4 The test substance should be made into a pile approximately 20 mm high and 30 mm diameter with a hollow in the top. A few drops of water are added to the hollow. It is noted whether:

- (a) Any gas is evolved; and
- (b) If spontaneous ignition of the gas occurs.

33.4.1.4.3.5 For solids, the package should be inspected for any particles of less than 500 µm diameter. If that powder constitutes more than 1% (mass) of the total, or if the substance is friable, then the whole of the sample should be ground to a powder before testing to allow for a reduction in particle size during handling and transport. Otherwise, as for liquids, the substance should be tested in its commercial state. This test should be performed three times at ambient temperature (20 °C) and atmospheric pressure. Water is put into the dropping funnel and enough of the substance (up to a maximum mass of 25 g) to produce between 100 ml and 250 ml of gas is weighed and placed in a conical flask. The tap of the dropping funnel is opened to let the water into the conical flask and a stop watch is started. The volume of gas evolved is measured by any suitable means. The time taken for all the gas to be evolved is noted and where possible, intermediate readings are taken. The rate of evolution of gas is calculated over 7 hours at 1 hour intervals. If the rate of evolution is erratic or is increasing after 7 hours, the measuring time should be extended to a maximum time of 5 days. The five day test may be stopped if the rate of evolution becomes steady or continually decreases and sufficient data has been established to assign a packing group to the substance or to determine that the substance should not be classified in Division 4.3. If the chemical identity of the gas is unknown, the gas should be tested for flammability.

33.4.1.4.4 *Test criteria and method of assessing results*

33.4.1.4.4.1 A substance should be classified in Division 4.3 if:

- (a) Spontaneous ignition takes place in any step of the test procedure; or
- (b) There is an evolution of a flammable gas at a rate greater than 1 litre per kilogram of the substance per hour.

33.4.1.4.4.2 Packing Group I should be assigned to any substance which reacts vigorously with water at ambient temperatures and generally demonstrates a tendency for the gas produced to ignite spontaneously, or which reacts readily with water at ambient temperatures such that the rate of evolution of flammable gas is equal to or greater than 10 litres per kilogram of substance over any one minute period.

33.4.1.4.4.3 Packing Group II should be assigned to any substance which reacts readily with water at ambient temperatures such that the maximum rate of evolution of flammable gas is equal to or greater than 20 litres per kilogram of substance per hour, and which does not meet the criteria for packing group I.

33.4.1.4.4.4 Packing Group III should be assigned to any substance which reacts slowly with water at ambient temperatures such that the maximum rate of evolution of flammable gas is greater than 1 litre per kilogram of substance per hour, and which does not meet the criteria for packing groups I or II.

33.4.1.4.5 *Examples of results*

<b>Substance</b>	<b>Rate of gas emission (litre/kg.h)</b>	<b>Spontaneous ignition of gas (yes/no)</b>	<b>Result</b>
Manganese ethylene bis (dithiocarbamate) complex with zinc salt 88% (Mancozeb)	0	Not applicable	Not 4.3



## SECTION 34

### CLASSIFICATION PROCEDURES, TEST METHODS AND CRITERIA RELATING TO OXIDIZING SUBSTANCES OF DIVISION 5.1

#### 34.1 Purpose

34.1.1 This section presents the United Nations scheme for the classification of oxidizing substances of Division 5.1 (see section 2.5.2 of the Model Regulations). The text should be used in conjunction with the classification principles given in paragraphs 2.5.2.2 and 2.5.2.3 of the Model Regulations and the test prescriptions given here in section 34.4.

#### 34.2 Scope

34.2.1 New products offered for transport should be subjected to the classification procedures as set out in paragraphs 2.5.2.2.1 and 2.5.2.2.2 or 2.5.2.3.1 and 2.5.2.3.2 of the Model Regulations unless it is impracticable (e.g. because of the physical properties) to perform the tests. Substances which cannot be tested should be classified by analogy with existing entries. The classification procedure should be undertaken before a new product is offered for transport.

#### 34.3 Classification procedure

The test procedures outlined here adequately assess the relative hazard of oxidizing substances so that an appropriate classification for transport can be made by the competent authority. In the event of divergence between test results and known experience, judgement based on known experience should take precedence over test results.

##### 34.3.1 *Oxidizing solids*

A test is performed to determine the potential for a solid substance to increase the burning rate or burning intensity of a combustible substance when the two are thoroughly mixed. The recommended test method is given here and in sub-section 2.5.2.2 of the Model Regulations. Whether a solid is an oxidizing substance of Division 5.1 and, if so, whether Packing Group I, II or III should be assigned, is decided on the basis of the test result (see also **Precedence of hazards characteristics** in section 2.0.3 of the Model Regulations). As the particle size has a significant effect on the result, the particle size of the substance tested should be stated in the test report.

##### 34.3.2 *Oxidizing liquids*

A test is performed to determine the potential for a liquid substance to increase the burning rate or burning intensity of a combustible substance or for spontaneous ignition to occur when the two are thoroughly mixed. The recommended test method given here measures the pressure rise time during combustion. Whether a liquid is an oxidizing substance of Division 5.1 and, if so, whether Packing Group I, II or III should be assigned, is decided on the basis of the test result (see also **Precedence of hazards characteristics** in section 2.0.3 of the Model Regulations).

## 34.4 Test methods for oxidizing substances

### 34.4.1 Test O.1: Test for oxidizing solids

#### 34.4.1.1 Introduction

This test method is designed to measure the potential for a solid substance to increase the burning rate or burning intensity of a combustible substance when the two are thoroughly mixed. Tests are conducted on the substance to be evaluated mixed with dry fibrous cellulose in mixing ratios of 1:1 and 4:1, by mass, of sample to cellulose. The burning characteristics of the mixtures are compared with the standard 3:7 mixture, by mass, of potassium bromate to cellulose. If the burning time is equal to or less than this standard mixture, the burning times should be compared with those from the Packing Group I or II reference standards, 3:2 and 2:3 ratios, by mass, of potassium bromate to cellulose respectively.

#### 34.4.1.2 Apparatus and materials

34.4.1.2.1 Technically pure potassium bromate is required as a reference substance. It should be sieved, but not ground, and the fraction with nominal particle sizes in the range 0.15 to 0.30 mm used as the reference substance. The reference substance is dried at 65 °C to constant mass (for a minimum of 12 hours) and kept in a desiccator (with desiccant) until cool and required for use.

34.4.1.2.2 Dried fibrous cellulose<sup>1</sup>, with a fibre length between 50 and 250 µm and a mean diameter of 25 µm, is used as the combustible material. It is dried in a layer no more than 25 mm thick at 105 °C to constant mass (for a minimum of 4 hours) and kept in a desiccator (with desiccant) until cool and required for use. The water content should be less than 0.5% by dry mass. If necessary, the drying time should be prolonged to achieve this.

34.4.1.2.3 An ignition source is required comprising an inert metal wire (e.g. nickel/chromium) connected to an electrical power source and with the following characteristics:

- |   |   |                |
|---|---|----------------|
| (a) Length                                  | = | 30 ± 1 cm;     |
| (b) Diameter                                | = | 0.6 ± 0.05 mm; |
| (c) Electrical resistance                   | = | 6.0 ± 0.5 Ω/m; |
| (d) Electrical power dissipated in the wire | = | 150 ± 7 W.     |

The wire should be shaped as in Figure 34.4.1.1.

34.4.1.2.4 A 60° glass funnel, sealed at the narrow end, with an internal diameter of 70 mm is required to form the mixtures into a truncated conical pile with base diameter of 70 mm on a cool, impervious, low heat conducting plate. A 150 mm by 150 mm plate with a thickness of 6 mm and a thermal conductivity (at a temperature of 0 °C) of 0.23 W.m<sup>-1</sup>.K<sup>-1</sup> is suitable. Other plates with a similar conductivity may be used.

34.4.1.2.5 A fume cupboard or other kind of ventilated area is required in which there is some ventilation but with an air stream velocity of 0.5 m/s or less. ***The fume extraction system should be suitable for the capture of toxic fumes.***

34.4.1.2.6 The substance, in the form in which it will be transported, should be inspected for any particles less than 500 µm in diameter. If that powder constitutes more than 10% (mass) of the total, or if the substance is friable, then the whole of the test sample should be ground to a powder before testing to allow for a reduction in particle size during handling and transport.

<sup>1</sup> Source reference available from the national contact for test details in France (see Appendix 4).

34.4.1.3 *Procedure*

34.4.1.3.1 30.0 g ± 0.1 g mixtures of the reference substance and cellulose are prepared in the potassium bromate to cellulose ratios of 3:7, 2:3 and 3:2, by mass. 30.0 g ± 0.1 g mixtures of the substance to be tested, in the particle size in which it will be transported (see 34.4.1.2.6), and cellulose are prepared in the oxidizer to cellulose ratios of 4:1 and 1:1, by mass. Each mixture should be mixed mechanically as thoroughly as possible without excessive stress. Each sample mixture should be made individually, used as soon as possible, and not taken from a batch.

34.4.1.3.2 Using the conical funnel, the mixture should be formed into a truncated conical pile, with a base diameter of 70 mm, covering the looped ignition wire resting on the low heat conducting plate. The plate should be placed in a ventilated area and the test performed at atmospheric pressure with the ambient temperature at 20 °C ± 5 °C.

34.4.1.3.3 Power is applied to the ignition wire and is maintained for the duration of the test or for three minutes if the mixture does not ignite and burn. The recorded burning time is taken from when the power is switched on to when the main reaction (e.g. flame, incandescence or glowing combustion) ends. Intermittent reaction, such as sparking or sputtering, after the main reaction should not be taken into account. If the heating wire breaks during the test then the test should be repeated unless breaking of the wire clearly does not effect the result. The test should be performed five times on the substance. Five tests should be performed with each reference mixture required to make the packing group assignment or to determine if the substance should not be classified in Division 5.1.

34.4.1.4 *Test criteria and method of assessing results*

34.4.1.4.1 The results are assessed on the basis of:

- (a) The comparison of the mean burning time with those of the reference mixtures; and
- (b) Whether the mixture of substance and cellulose ignites and burns.

34.4.1.4.2 The test criteria for determining oxidizing properties of the substance are:

- |                    |   |  |
|--------------------|---|--|
| Packing group I:   | - | Any substance which, in the 4:1 or 1:1 sample-to-cellulose ratio (by mass) tested, exhibits a mean burning time less than the mean burning time of a 3:2 mixture, by mass, of potassium bromate and cellulose.                     |
| Packing group II:  | - | Any substance which, in the 4:1 or 1:1 sample-to-cellulose ratio (by mass) tested, exhibits a mean burning time equal to or less than the mean burning time of a 2:3 mixture (by mass) of potassium bromate; and                   |
|                    | - | Cellulose and the criteria for Packing Group I are not met.  |
| Packing group III: | - | Any substance which, in the 4:1 or 1:1 sample-to-cellulose ratio (by mass) tested, exhibits a mean burning time equal to or less than the mean burning time of a 3:7 mixture (by mass) of potassium bromate; and                   |
|                    | - | Cellulose and the criteria for Packing Groups I and II are not met.  |
| Not Division 5.1   | - | Any substance which, in both the 4:1 and 1:1 sample-to-cellulose ratio (by mass) tested, does not ignite and burn, or exhibits mean burning times greater than that of a 3:7 mixture (by mass) of potassium bromate and cellulose. |

For substances having other risks, e.g. toxicity or corrosivity, the requirements of section 2.0.3 of the Model Regulations should be met.

34.4.1.5 *Examples of results*

**NOTE:** The test results given should be used only as an illustration since the results obtained with a particular oxidizer will depend on the particle size etc.

Substance	Mean burning times (s)		Results
	4:1	1:1	
Ammonium dichromate	55	189	PG III <sup>a</sup>
Ammonium nitrate (crystalline)	161	74	PG III
Calcium nitrate (anhydrous)	10	25	PG II <sup>b</sup>
Calcium nitrate (tetra hydrate)	268	142	Not 5.1
Ceric ammonium nitrate	10	36	PG II <sup>c</sup>
Chromium trioxide	3	33	PG I <sup>a</sup>
Cobalt nitrate (hexahydrate)	205	390	Not 5.1
Nickel nitrate	101	221	Not 5.1 <sup>b</sup>
Potassium nitrite	8	15	PG II
Potassium perchlorate	9	33	PG II
Potassium permanganate	17	51	PG II
Sodium chlorate	5	13	PG II
Sodium nitrite	15	22	PG II <sup>b</sup>
Sodium nitrate	56	39	PG II <sup>b</sup>
Strontium nitrate (anhydrous)	107	237	Not 5.1 <sup>b</sup>

*Burning times for mixtures of reference substance to cellulose*

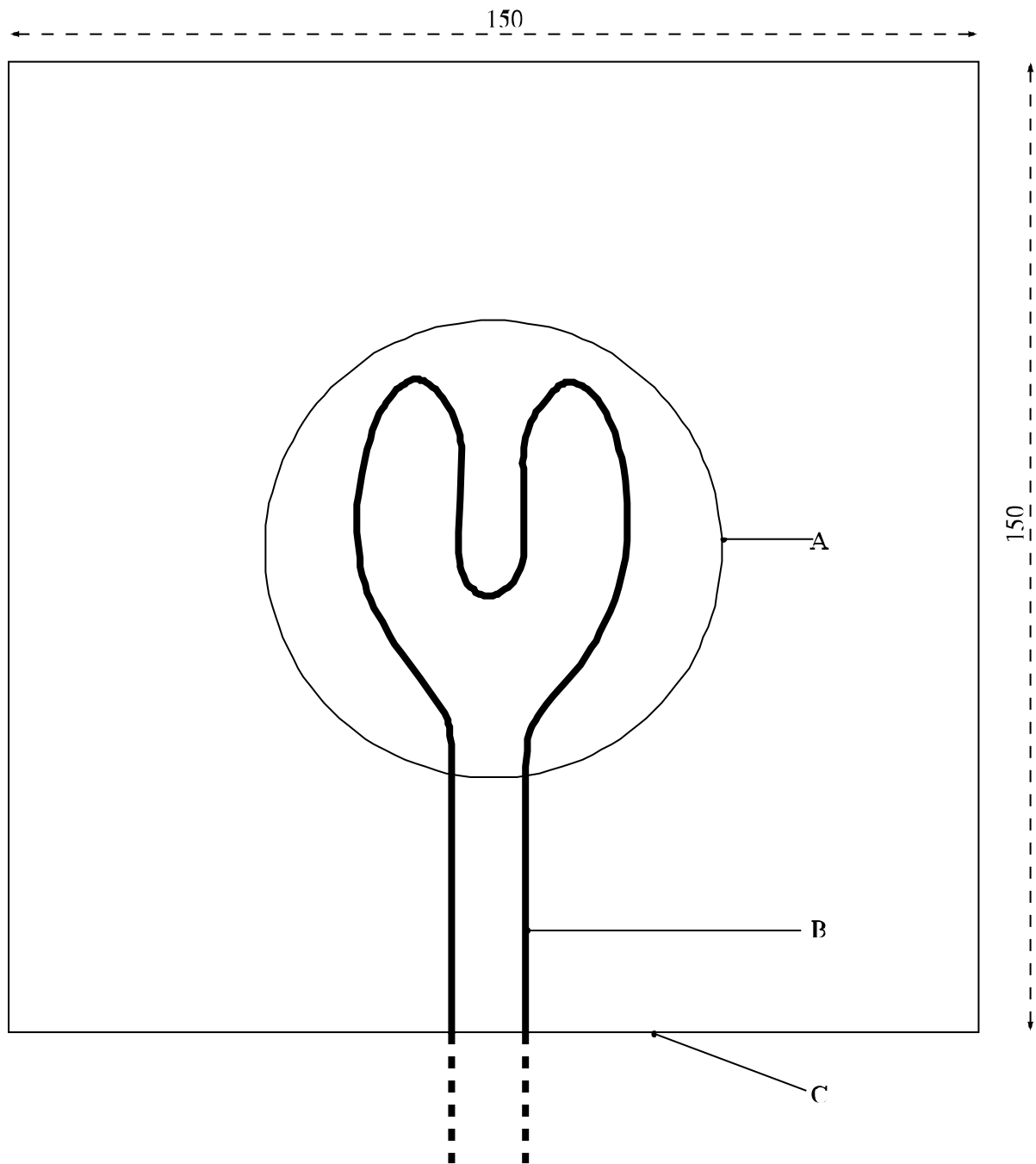
3:7 Potassium bromate/cellulose	100 s
2:3 Potassium bromate/cellulose	54 s
3:2 Potassium bromate/cellulose	4 s

<sup>a</sup> *Currently PG II but borderline.*

<sup>b</sup> *Currently PG III.*

<sup>c</sup> *Not currently classified.*





- 
- (A) Base of sample cone (70 mm diameter)
  - (B) Heating wire
  - (C) Low heat conducting plate
- 

**Figure 34.4.1.1: TEST PLATE AND IGNITION WIRE**

## 34.4.2 *Test O.2: Test for oxidizing liquids*

### 34.4.2.1 *Introduction*

This test method is designed to measure the potential for a liquid substance to increase the burning rate or burning intensity of a combustible substance when the two are thoroughly mixed or to form a mixture which spontaneously ignites. The liquid is mixed in a 1 to 1 ratio, by mass, with fibrous cellulose, the mixture heated in a pressure vessel and the rate of pressure rise determined<sup>2</sup>.

### 34.4.2.2 *Apparatus and materials*

34.4.2.2.1 A pressure vessel, as used in the time/pressure test (see Part I, test 1(c)(i)), is required. It consists of a cylindrical steel pressure vessel 89 mm in length and 60 mm in external diameter (see Figure 34.4.2.1). Two flats are machined on opposite sides (reducing the cross-section of the vessel to 50 mm) to facilitate holding whilst fitting up the firing plug and vent plug. The vessel, which has a bore of 20 mm diameter is internally rebated at either end to a depth of 19 mm and threaded to accept 1" British Standard Pipe (BSP). A pressure take-off, in the form of a side arm, is screwed into the curved face of the pressure vessel 35 mm from one end and at 90° to the machined flats. The socket for this is bored to a depth of 12 mm and threaded to accept the 1/2 " BSP thread on the end of the side-arm. If necessary, an inert seal is fitted to ensure a gastight seal. The side-arm extends 55 mm beyond the pressure vessel body and has a bore of 6 mm. The end of the side-arm is rebated and threaded to accept a diaphragm type pressure transducer. Any pressure-measuring device may be used provided that it is not affected by the hot gases or the decomposition products and is capable of responding to rates of pressure rise of 690-2070 kPa in not more than 5 ms.

34.4.2.2.2 The end of the pressure vessel furthest from the side-arm is closed with a firing plug which is fitted with two electrodes, one insulated from, and the other earthed to, the plug body. The other end of the pressure vessel is closed by a bursting disc (bursting pressure approximately 2200 kPa (320 psi)) held in place with a retaining plug which has a 20 mm bore. If necessary, an inert seal is used with the firing plug to ensure a gas-tight fit. A support stand (Figure 34.4.2.2) holds the assembly in the correct attitude during use. This comprises a mild steel base plate measuring 235 mm × 184 mm × 6 mm and a 185 mm length of square hollow section (S.-H.S.) 70 × 70 × 4 mm.

34.4.2.2.3 A section is cut from each of two opposite sides at one end of the length of S.H.S. so that a structure having two flat sided legs surmounted by 86 mm length of intact box section results. The ends of these flat sides are cut to an angle of 60° to the horizontal and welded to the base plate. A slot measuring 22 mm wide × 46 mm deep is machined in one side of the upper end of the base section such that when the pressure vessel assembly is lowered, firing plug end first, into the box section support, the side-arm is accommodated in the slot. A packing piece of steel 30 mm wide and 6 mm thick is welded to the lower internal face of the box section to act as a spacer. Two 7 mm thumb screws, tapped into the opposite face, serve to hold the pressure vessel firmly in place. Two 12 mm wide strips of 6 mm thick steel, welded to the side pieces abutting the base of the box section, support the pressure vessel from beneath.

---

<sup>2</sup> *In some cases, substances may generate a pressure rise (too high or too low), caused by chemical reactions not characterising the oxidizing properties of the substance. In these cases, it may be necessary to repeat the test with an inert substance, e.g. diatomite (kieselguhr), in place of the cellulose in order to clarify the nature of the reaction.*

34.4.2.2.4 The ignition system consists of a 25 cm long Ni/Cr wire with a diameter 0.6 mm and a resistance of 3.85 ohm/m. The wire is wound, using a 5 mm diameter rod, in the shape of a coil and is attached to the firing plug electrodes. The coil should have one of the configurations shown in Figure 34.4.2.3. The distance between the bottom of the vessel and the underside of the ignition coil should be 20 mm. If the electrodes are not adjustable, the ends of the ignition wire between the coil and the bottom of the vessel should be insulated by a ceramic sheath. The wire is heated by a constant current power supply able to deliver at least 10 A.

34.4.2.2.5 Dried, fibrous cellulose<sup>3</sup> with a fibre length between 50 and 250 µm and a mean diameter of 25 µm, is used as the combustible material. It is dried in a layer not more than 25 mm thick at 105 °C for 4 hours and kept in a desiccator, with desiccant, until cool and required for use. The water content of the dried cellulose should be less than 0.5% by dry mass. If necessary, the drying time should be prolonged to achieve this.

34.4.2.2.6 50% perchloric acid, 40% aqueous sodium chlorate solution and 65% aqueous nitric acid are required as reference substances.

34.4.2.2.7 The concentration of the substance tested should be specified in the report. If saturated solutions are tested, they should be prepared at 20 °C.

### 34.4.2.3 *Procedure*

34.4.2.3.1 The apparatus, assembled complete with pressure transducer and heating system but without the bursting disk in position, is supported firing plug end down. 2.5 g of the liquid to be tested is mixed with 2.5 g of dried cellulose in a glass beaker using a glass stirring rod. ***For safety, the mixing should be performed with a safety shield between the operator and mixture.*** (If the mixture ignites during mixing or filling, no further testing is necessary.) The mixture is added, in small portions with tapping, to the pressure vessel making sure that the mixture is packed around the ignition coil and is in good contact with it. It is important that the coil is not distorted during the packing process. The bursting disk is placed in position and the retaining plug is screwed in tightly. The charged vessel is transferred to the firing support stand, bursting disk uppermost, which should be located in a suitable, armoured fume cupboard or firing cell. The power supply is connected to the external terminals of the firing plug and 10 A applied. The time between the start of mixing and switching the power on should be about 10 minutes.

34.4.2.3.2 The signal produced by the pressure transducer is recorded on a suitable system which allows both evaluation and the generation of a permanent record of the time pressure profile obtained (e.g. a transient recorder coupled to a chart recorder). The mixture is heated until the bursting disk ruptures or until at least 60 s has elapsed. ***If the bursting disk does not rupture, the mixture should be allowed to cool before carefully dismantling the apparatus and precautions taken to allow for any pressurisation.*** Five trials are performed with the mixture and each of the reference substances. The time taken for the pressure rise from 690 kPa to 2070 kPa above atmospheric is noted. The mean time interval should be used for classification.

### 34.4.2.4 *Test criteria and method of assessing results*

34.4.2.4.1 The test results are assessed on the basis of:

- (a) Whether the mixture of substance and cellulose spontaneously ignites; and
- (b) The comparison of the mean time taken for the pressure to rise from 690 kPa to 2070 kPa gauge with those of the reference substances.

<sup>3</sup> Source reference available from the national contact for test details in Sweden (see Appendix 4).

34.4.2.4.2 The test criteria for determining the oxidizing properties of the substance are:

- Packing group I:
- Any substance which, in the 1:1 mixture, by mass, of substance and cellulose tested, spontaneously ignites; or
  - The mean pressure rise time of a 1:1 mixture, by mass, of substance and cellulose is less than that of a 1:1 mixture, by mass, of 50% perchloric acid and cellulose.
- Packing group II:
- Any substance which, in the 1:1 mixture, by mass, of substance and cellulose tested, exhibits a mean pressure rise time less than or equal to the mean pressure rise time of a 1:1 mixture, by mass, of 40% aqueous sodium chlorate solution and cellulose; and
  - The criteria for Packing group I are not met.
- Packing group III:
- Any substance which, in the 1:1 mixture, by mass, of substance and cellulose tested, exhibits a mean pressure rise time less than or equal to the mean pressure rise time of a 1:1 mixture, by mass, of 65% aqueous nitric acid and cellulose; and
  - The criteria for Packing groups I and II are not met.
- Not Division 5.1:
- Any substance which, in the 1:1 mixture, by mass, of substance and cellulose tested, exhibits a pressure rise of less than 2070 kPa gauge; or
  - Exhibits a mean pressure rise time greater than the mean pressure rise time of a 1:1 mixture, by mass, of 65% aqueous nitric acid and cellulose.

For substances having additional risks, e.g. toxicity or corrosivity, the requirements of section 2.0.3 of the Model Regulations should be met.

34.4.2.5 *Examples of results*

<b>Substance</b>	<b>Mean pressure rise time for a 1:1 mixture with cellulose (s)</b>	<b>Results</b>
Ammonium dichromate, saturated aqueous solution	20800	Not Div. 5.1
Calcium nitrate, saturated aqueous solution	6700	Not Div. 5.1
Ferric nitrate, saturated aqueous solution	4133	PG III
Lithium perchlorate, saturated aqueous solution	1686	PG II
Magnesium perchlorate, saturated aqueous solution	777	PG II
Nickel nitrate, saturated aqueous solution	6250	Not Div. 5.1
Nitric acid, 65%	4767 a/	
Perchloric acid, 50%	121 a/	PG II
Perchloric acid, 55%	59	PG I
Potassium nitrate, 30% aqueous solution	26690	Not Div. 5.1
Silver nitrate, saturated aqueous solution	c/	Not Div. 5.1
Sodium chlorate, 40% aqueous solution	2555 a/	
Sodium nitrate, 45% aqueous solution	4133	PG III
<i>Inert substance</i>		
Water:cellulose	c/	

a/ Mean value from inter-laboratory comparative trials.

b/ Packing group III by the test but Class 8 by the Precedence of Hazards table.

c/ Maximum pressure of 2070 kPa not reached.



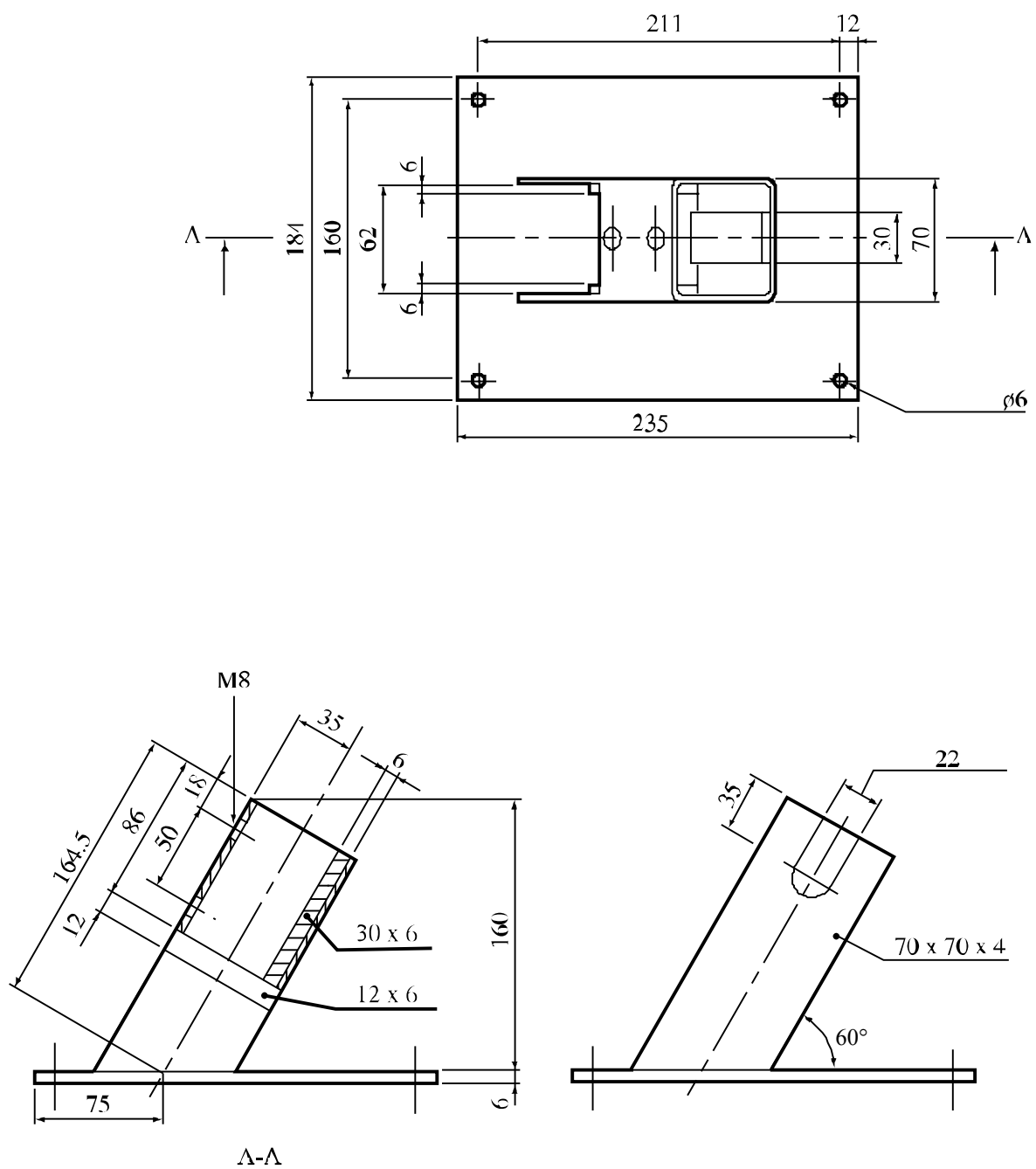
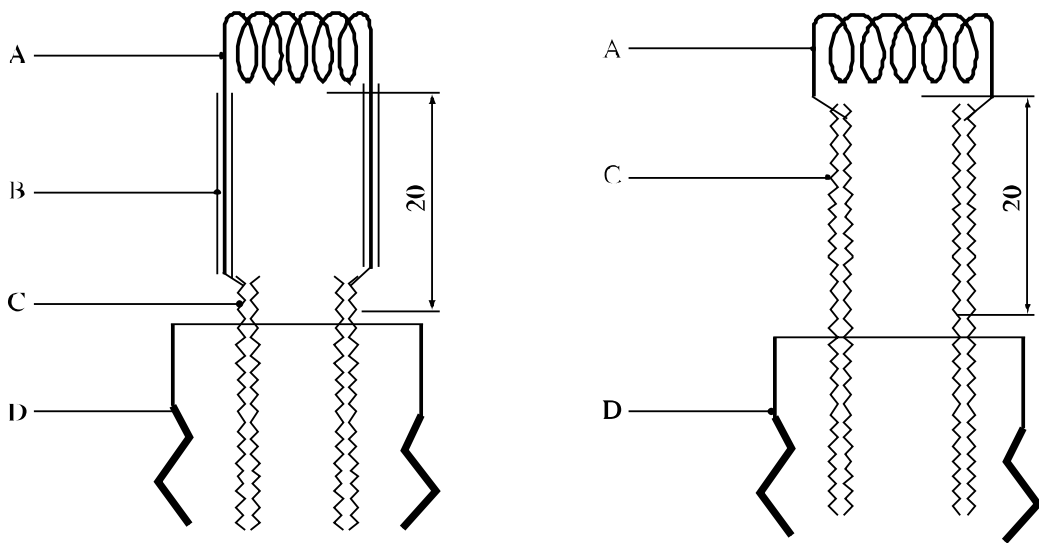


Figure 34.4.2.2: SUPPORT STAND



*NOTE: Either of these configurations may be used.*

- 
- (A) Ignition coil
  - (B) Insulation
  - (C) Electrodes
  - (D) Firing plug
- 

**Figure 34.4.2.3: IGNITION SYSTEM**



*[35. Reserved for classification procedures, test methods and criteria relating to Class 6]*



*[36. Reserved for classification procedures, test methods and criteria relating to Class 7]*



## SECTION 37

### CLASSIFICATION PROCEDURES, TEST METHODS AND CRITERIA RELATING TO SUBSTANCES OF CLASS 8

#### 37.1 Purpose

37.1.1 This section presents the United Nations scheme for the classification of corrosive substances of Class 8 (see sections 2.8.1 and 2.8.2 of the Model Regulations). The test method for corrosion is given in sub-section 37.4 of this Manual. The method for determining corrosion to skin is provided in OECD Guideline 404 and the criteria are provided in Chapter 2.8 of the Model Regulations. If a substance is shown to be corrosive to skin, then it is not necessary to conduct the tests for metal corrosion for the purposes of classification.

#### 37.2 Scope

37.2.1 New products offered for transport shall be subjected to the classification procedures as set out in paragraph 2.8.2.5 (c) (ii) of the Model Regulations unless it is impracticable (e.g. because of the physical properties) to perform the tests. Substances which cannot be tested shall be classified by analogy with existing entries. The classification procedure shall be undertaken before a new product is offered for transport.

#### 37.3 Classification procedure

The following test procedures are designed to assess the corrosion hazard for an appropriate classification for transport.

#### 37.4 Test methods for corrosion to metals

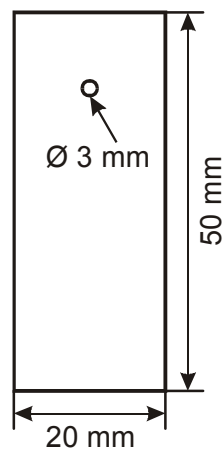
##### 37.4.1 Introduction

37.4.1.1 Test C.1: Test for determining the corrosive properties of liquids and solids that may become liquid during transport as dangerous goods of Class 8, packing group III.

##### 37.4.1.2 Apparatus and material

For exposure to the medium being classified the specimens shall consist of 2 mm thick plates and shall be made of the following materials:

- Aluminium, non-clad types 7075-T6 or AZ5GU-T6 and
- Steel type, S235JR+CR (1.0037 resp. St 37-2), S275J2G3+CR (1.0144 resp. St 44-3), ISO 3574, Unified Numbering System (UNS) G10200 or SAE 1020 (see Figure 37.4.1).



**Figure 37.4.1:** Specimen

At least 3 sets of specimens shall be used for each metal (aluminium, steel). A cup-like reaction receptacle (of glass or PTFE) as shown in Figure 37.4.2 with three necks of suitable size (e.g. NS92/32 as well as one neck NS14) to accommodate the specimen as illustrated in Figure 37.4.1 and a fourth neck of sufficient size to accommodate a reflux condenser shall be used. The entrance of air into the receptacle shall be ensured. Aluminium and steel specimens shall be tested in different reaction receptacles. To prevent liquid loss a reflux condenser shall be attached (see Figure 37.4.2).



**Figure 37.4.2:** Exposure receptacle with reflux condenser

In order to carry out the test, the substance being classified shall have a minimum volume of 1.5 l to ensure enough reactive agent during the whole exposure time. Very long testing periods without changing the solution will sometimes give negative results. To get correct results and to avoid re-testing, the following items should be taken into account:

- (a) Fresh solutions shall be provided during the course of the test;
- (b) The volume should be large enough to avoid any appreciable change in its corrosivity during the test;

**NOTE:** *If problems are expected, the composition should be checked by analysis at the end of the test to determine the extent of change in composition, such as might result from evaporation or depletion.*

#### 37.4.1.3 Procedure

Metal sheets shall be polished with grinding paper of 120 grit. After removing the grinding remainings with alcohol in an ultrasound bath and degreasing with acetone, the metal specimens shall be weighed out to  $\pm 0.0002$  g. No chemical surface preparation (pickling, etching etc.) shall be performed to prevent surface "irritations" (inhibition, passivation). Specimens shall be fixed inside the receptacle by non-extruded PTFE-threads. Metal wire shall not be used. The test with the so prepared metals shall be initiated the same day to prevent reformation of oxide layer unless appropriate measures are taken to preserve the samples for further testing. For each test one metal specimen shall be dipped into the solution, another one only half way and a third one shall hang in the gas phase. The distance between the upper edge of the completely inserted specimen and the surface of the liquid shall be 10 mm. Losses of liquid shall be avoided.

The test temperature of  $55\text{ }^{\circ}\text{C} \pm 1$  shall be maintained throughout the test including the vapour phase as well.

Sheets shall be exposed at these stable conditions for at least one week ( $168 \pm 1$  hour).

After finishing the test, the metal specimens shall be rinsed off and cleaned with a brush with synthetic or natural bristles (no metal). For non-mechanically removable remainings (adherent corrosion product or depositions) inhibited pickling solutions should be used. In those cases an unexposed reference specimen needs to be treated in the same manner (time, temperature, concentration, surface preparation) to determine the mass loss caused by the pickling solution. This value needs to be subtracted before evaluating the corrosion rate. After final cleaning with alcohol and acetone in an ultrasound bath, and once dry, the metal samples shall be weighed. The resulting mass under consideration of the specific mass of the metal leads to the corrosion rate.

37.4.1.4 *Test criteria and method of assessing results*

Two types of corrosion behaviour need to be distinguished.

37.4.1.4.1 *Test evaluation at uniform corrosion*

In case of uniform corrosion attack the mass loss of the most corroded sample shall be used. The test is considered positive if for any specimen the mass loss on the metal specimen is more than the amount stated in the following table:

**Table 37.4.1.4.1: Minimum mass loss of specimens after different exposure times**

exposure time	mass loss
7 days	13.5 %
14 days	26.5 %
21 days	39.2 %
28 days	51.5 %

**NOTE:** These values are calculated based on a 6.25 mm/year corrosion rate.

37.4.1.4.2 *Test evaluation at localised corrosion*

When localised corrosion occurs besides or instead of uniform corrosion attack of surface, the depth of the deepest hole respectively the strongest thickness reduction will be added or only be used to determine the intrusion. If the deepest intrusion (to be determined metallographically) exceeds the values shown in the following table, the result is considered positive.

**Table 37.4.1.4.2: Minimum intrusion depths after exposure time**

exposure time	min. intrusion depth
7 days	120 µm
14 days	240 µm
21 days	360 µm
28 days	480 µm



## SECTION 38

### CLASSIFICATION PROCEDURES, TEST METHODS AND CRITERIA RELATING TO CLASS 9

#### 38.1 Introduction

This section contains classification procedures, test methods and criteria relating to substances and articles of Class 9.

#### 38.2 Ammonium nitrate fertilizers capable of self-sustaining decomposition

##### 38.2.1 Purpose

38.2.1.1 This section of the test manual presents the United Nations scheme for the classification of ammonium nitrate fertilizers of Class 9 (see UN 2071 and special provision 193 of the Model Regulations). The test procedure is designed to assess if an ammonium nitrate fertilizer is capable of undergoing self-sustaining decomposition.

##### 38.2.2 Scope

New products offered for transport should be subjected to the classification procedure if the composition is covered by the definition for UN 2071. The classification procedure should be undertaken before a new product is offered for transport.

##### 38.2.3 Classification procedure

38.2.3.1 The test method should be performed to determine if a decomposition initiated in a localised area will spread throughout the mass. The recommended test method is given in 38.2.4. Whether the substance is an ammonium nitrate fertilizer of Class 9, or not, is decided on the basis of the test result.

38.2.3.2 Packing Group III is assigned to all Class 9 ammonium nitrate fertilisers.

38.2.3.3 Ammonium nitrate fertilizers with the composition given for UN 2071 may be regarded as not subject to the Model Regulations if shown not to be liable to self-sustaining decomposition and provided that they do not contain an excess of nitrate greater than 10% by mass (calculated as potassium nitrate).

## 38.2.4 *Test S.1: Trough test for determination of the self-sustaining exothermic decomposition of fertilizers containing nitrates*

### 38.2.4.1 *Introduction*

A fertilizer capable of self-sustaining decomposition is defined as one in which decomposition initiated in a localized area will spread throughout the mass. The tendency of a fertilizer, to be offered for transport, to undergo this type of decomposition can be determined by means of the Trough test. In this test localized decomposition is initiated in a bed of the fertilizer contained in a horizontally mounted trough. The amount of propagation, after removal of the initiating heat source, of decomposition through the mass is measured.

### 38.2.4.2 *Apparatus and materials*

38.2.4.2.1 The apparatus (Figure 38.2.4.1) consists of a trough of internal dimensions 150 × 150 × 500 mm, open at the top. The trough is constructed of square meshed gauze (preferably stainless steel) with a mesh width of about 1.5 mm and wire thickness of 1 mm, supported on a frame made from, for example, 15 mm wide, 2 mm thick steel bars. The gauze at each end of the trough may be replaced by 1.5 mm thick, 150 × 150 mm stainless steel plates. The trough should be rested on a suitable support. Fertilizers with a particle size distribution such that a significant amount falls through the mesh of the trough should be tested in a trough of smaller mesh gauze, or alternatively in a trough lined with gauze of a smaller mesh. During initiation, sufficient heat should be provided and maintained to establish a uniform decomposition front.

38.2.4.2.2 Two alternative heating methods are recommended. They are:

*Electrical heating.* An electrical heating element (capacity 250 watts) enclosed in a stainless steel box, placed inside and at one end of the trough (Figure 38.2.4.2). The dimensions of the stainless steel box are 145 × 145 × 10 mm, and the wall thickness about 3 mm. The side of the box which is not in contact with the fertilizer should be protected with a heat shield (insulation plate 5 mm thick). The heating side of the box may be protected with aluminium foil or a stainless steel plate.

*Gas burners.* A steel plate (thickness 1-3 mm) is placed inside one end of the trough and in contact with the wire gauze (Figure 38.2.4.1). The plate is heated by means of two burners which are fixed to the trough support and are capable of maintaining the plate at temperatures between 400-600 °C, i.e. dull red heat.

38.2.4.2.3 To prevent heat transport along the outside of the trough a heat shield consisting of a steel plate (2 mm thick) should be installed at about 5 cm from the end of the trough where the heating takes place.

38.2.4.2.4 The life of the apparatus may be prolonged if it is constructed of stainless steel throughout. This is particularly important in the case of the gauze trough.

38.2.4.2.5 Propagation may be measured using thermocouples in the substance and recording the time at which a sudden temperature rise occurs as the reaction front reaches the thermocouple.

### 38.2.4.3 *Procedure*

38.2.4.3.1 The apparatus should be set up under a fume hood to remove toxic decomposition gases or in an open area where the fumes can be readily dispersed. Although there is no explosion risk when performing the test, it is advisable to have a protective shield, e.g. of suitable transparent plastic, between the observer and the apparatus.

38.2.4.3.2 The trough is filled with the fertilizer in the form to be offered for transport and decomposition is initiated at one end, either electrically or by means of gas burners as described above. Heating should be continued until decomposition of the fertilizer is well established and propagation of

the front (over approximately 3-5 cm) is observed. In the case of products of high thermal stability, it may be necessary to continue heating for two hours. If fertilizers show a tendency to melt, the heating should be done with care, i.e. using a small flame.

38.2.4.3.3 About 20 minutes after the heating has been discontinued, the position of the decomposition front is noted. The position of the reaction front can be determined by differences in colour, e.g. brown (undecomposed fertilizer) to white (decomposed fertilizer) or by the temperature indicated by adjacent pairs of thermocouples which bracket the reaction front. The rate of propagation may be determined by observation and timing or from thermocouple records. It should be noted whether there is no propagation after heating is discontinued or whether propagation occurs throughout the substance.

#### 38.2.4.4 *Test criteria and method of assessing results*

38.2.4.4.1 If propagation of the decomposition continues throughout the substance, the fertilizer is considered capable of showing self-sustaining decomposition.

38.2.4.4.2 If propagation does not continue throughout the substance, the fertilizer is considered to be free from the hazard of self-sustaining decomposition.

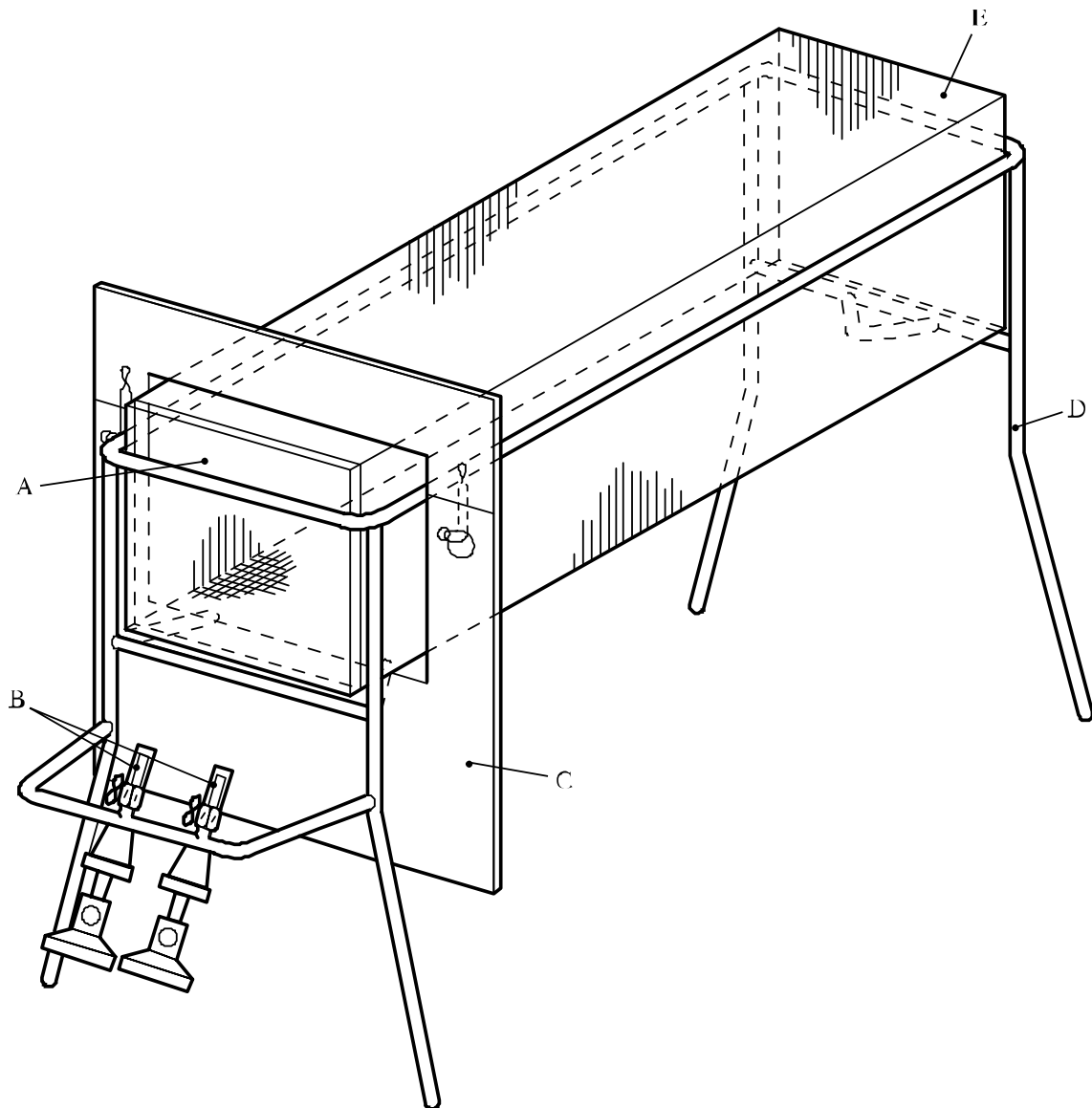
#### 38.2.4.4.3 *Examples of results*

**NOTE:** The NPK proportions for a fertilizer should not be used as a guide to its ability to undergo self-sustaining decomposition as this depends on the chemical species present.

Substance	Distance propagated (cm)	Result
Compound fertilizer NPK 17-11-22 <sup>a</sup>	50	+
Compound fertilizer NPK 15-11-8 <sup>a</sup>	10	—
Compound fertilizer NPK 14-14-14 <sup>a</sup>	10	—
Compound fertilizer NPK 21-14-14 <sup>a</sup>	10	—
Compound fertilizer NPK 12-12-18 <sup>b</sup>	50	+

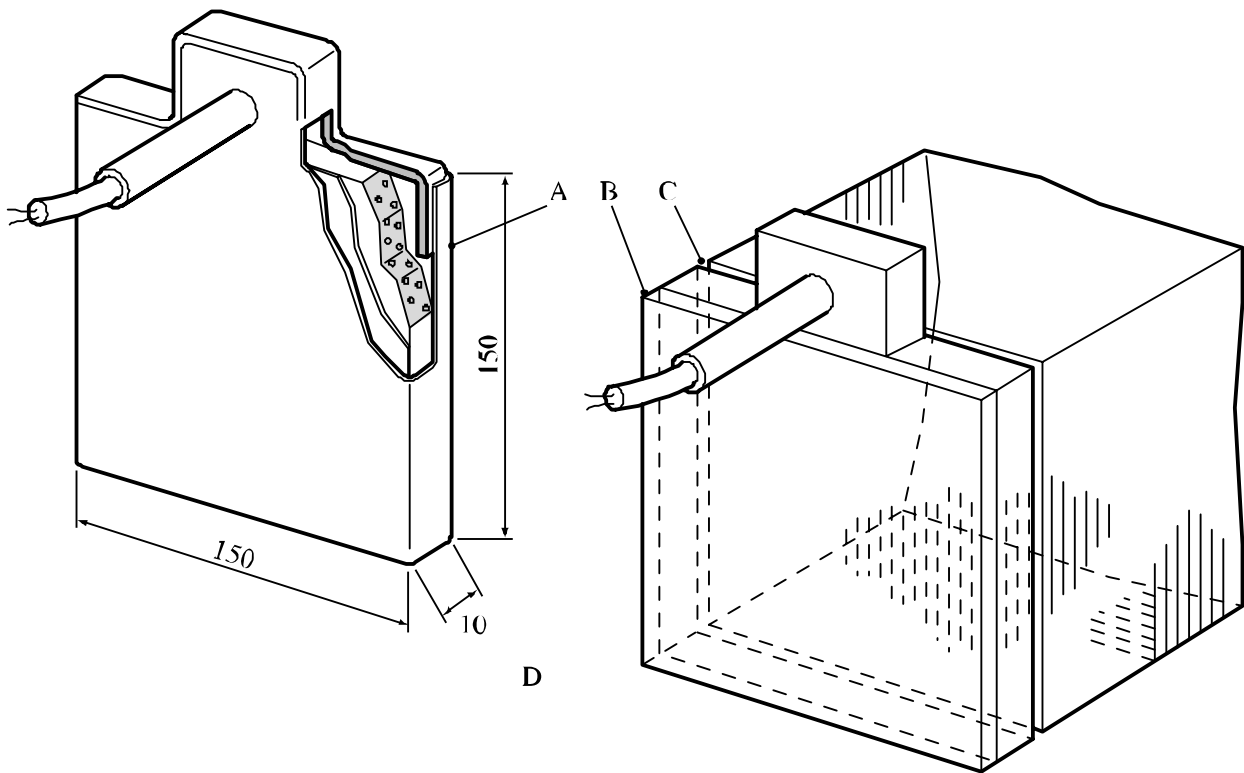
<sup>a</sup> Containing chloride.

<sup>b</sup> Containing traces of cobalt and copper but less than 1% chloride.



- 
- (A) Steel plate ( 150 × 150 mm and 1 to 3 mm thick)
  - (B) Gas burners (e.g. Teclu or Bunsen)
  - (C) Heat shield (2 mm thick)
  - (D) Stand (e.g. made from 15 mm wide, 2 mm thick steel bar)
  - (E) Gauze trough (150 × 150 × 500 mm)
- 

**Figure 38.2.4.1: GAUZE TROUGH WITH SUPPORT BURNERS**



- 
- (A) Aluminium or stainless steel plate (wall thickness 3 mm)
  - (B) Insulating plate (wall thickness 5 mm)
  - (C) Aluminium or stainless steel plate (wall thickness 3 mm)
  - (D) Position of heating device in trough
- 

**Figure 38.2.4.2: ELECTRICAL HEATING DEVICE (CAPACITY 250 WATTS)**

### **38.3 Lithium batteries**

#### **38.3.1 Purpose**

This section presents the procedures to be followed for the classification of lithium cells and batteries (see UN Nos. 3090 and 3091, and the applicable special provisions of Chapter 3.3 of the Model Regulations).

#### **38.3.2 Scope**

38.3.2.1 Lithium cells and batteries shall be subjected to the tests, as required by special provisions 188 and 230 of Chapter 3.3 of the Model Regulations prior to the transport of a particular cell or battery type. Lithium cells or batteries which differ from a tested type by:

- (a) a change of more than 0.1 g or 20% by mass, whichever is greater, to the cathode, to the anode, or to the electrolyte; or
- (b) a change that would materially affect the test results,

shall be considered a new type and shall be subjected to the required tests. In the event that a lithium cell or battery type does not meet one or more of the test requirements, steps shall be taken to correct the deficiency or deficiencies that caused the failure before such cell or battery type is retested.

38.3.2.2 For the purposes of classification, the following definitions apply:

*Aggregate lithium content* means the sum of the grams of lithium content or lithium equivalent content contained by the cells comprising a battery.

*Battery* means one or more cells which are electrically connected together by permanent means, including case, terminals, and markings.

**NOTE:** *Units that are commonly referred to as "battery packs" having the primary function of providing a source of power to another piece of equipment are for purposes of these Regulations treated as batteries.*

*Button cell or battery* means a round small cell or battery when the overall height is less than the diameter.

*Cell* means a single encased electrochemical unit (one positive and one negative electrode) which exhibits a voltage differential across its two terminals. Under these Regulations, to the extent the encased electrochemical unit meets the definition of "cell" herein, it is a "cell", not a "battery", regardless of whether the unit is termed a "battery" or a "single cell battery" outside of these Regulations.

*Component cell* means a cell contained in a battery.

*Cycle* means one sequence of fully charging and fully discharging a rechargeable cell or battery.

*Disassembly* means a vent or rupture where solid matter from any part of a cell or battery penetrates a wire mesh screen (annealed aluminium wire with a diameter of 0.25 mm and grid density of 6 to 7 wires per cm) placed 25 cm away from the cell or battery.

*Effluent* means a liquid or gas released when a cell or battery vents or leaks.

*Equivalent lithium content* is defined in the definition of lithium content.

*First cycle* means the initial cycle following completion of all manufacturing processes.

*Fully charged* means a rechargeable cell or battery which has been electrically charged to its design rated capacity.

*Fully discharged* means either:

a primary cell or battery which has been electrically discharged to remove 100% of its rated capacity; or

a rechargeable cell or battery which has been electrically discharged to its endpoint voltage as specified by the manufacturer.

*Large battery* means a battery in which the aggregate lithium content of all anodes, when fully charged, is more than 500 g.

*Large cell* means a cell in which the lithium content or lithium equivalent content of the anode, when fully charged, is more than 12 g.

*Leakage* means the escape of material from a cell or battery.

*Lithium content* is applied to lithium metal and lithium alloy cells and batteries, and for a cell means the mass of lithium in the anode of a lithium metal or lithium alloy cell, which for a primary cell is measured when the cell is in an undischarged state and for a rechargeable cell is measured when the cell is fully charged. The lithium content of a battery equals the sum of the grams of lithium content contained in the component cells of the battery.

*Lithium-equivalent content* is applied to lithium-ion cells and batteries, and for a cell is measured as 0.3 times the rated capacity of the cell in ampere-hours, with the result expressed in grams. The lithium-equivalent content of a battery equals the sum of the grams of lithium-equivalent content contained in the component cells of the battery.

*Lithium-ion cell or battery* means a rechargeable electrochemical cell or battery in which the positive and negative electrodes are both intercalation compounds (intercalated lithium exists in an ionic or quasi-atomic form with the lattice of the electrode material) constructed with no metallic lithium in either electrode. A lithium polymer cell or battery that uses lithium-ion chemistries, as described herein, is regulated as a lithium-ion cell or battery.

*Mass loss* means a loss of mass that exceeds the values in table 1 below. In order to quantify the mass loss, the following procedure is provided:

$$\text{Mass loss (\%)} = \frac{(M_1 - M_2)}{M_1} \times 100$$

where  $M_1$  is the mass before the test and  $M_2$  is the mass after the test. When mass loss does not exceed the values in table 1, it shall be considered as "no mass loss".

**Table 1: Mass loss limit**

Mass $M$ of cell or battery	Mass loss limit
$M < 1$ g	0.5 %
$1 \text{ g} < M < 5$ g	0.2 %
$M \geq 5$ g	0.1 %

*Primary* means a cell or battery which is not designed to be electrically charged or recharged.

*Prismatic cell or battery* means a cell or battery whose ends are similar, equal and parallel rectilinear figures, and whose sides are parallelograms.

*Protective devices* means devices such as fuses, diodes and current limiters which interrupt the current flow, block the current flow in one direction or limit the current flow in an electrical circuit.

*Rated capacity* means the capacity, in ampere-hours, of a cell or battery as measured by subjecting it to a load, temperature and voltage cut-off point specified by the manufacturer.

*Rechargeable* means a cell or battery which is designed to be electrically recharged.

*Rupture* means the mechanical failure of a cell container or battery case induced by an internal or external cause, resulting in exposure or spillage but not ejection of solid materials.

*Short circuit* means a direct connection between positive and negative terminals of a cell or battery that provides a virtual zero resistance path for current flow.

*Small battery* means a battery composed of small cells, and in which the aggregate lithium content of all cell anodes, when fully charged, is not more than 500 g.

*Small cell* means a cell in which the lithium content of the anode, when fully charged, is not more than 12 g.

*Type* means a particular electrochemical system and physical design of cells or batteries.

*Undischarged* means a primary cell or battery that has not been wholly or partly discharged.

*Venting* means the release of excessive internal pressure from a cell or battery in a manner intended by design to preclude rupture or disassembly.

38.3.3 When a cell or battery type is to be tested under this sub-section, the number and condition of cells and batteries of each type to be tested are as follows:

- (a) When testing primary cells and batteries under tests 1 to 5 the following shall be tested:
  - (i) ten cells in undischarged states,
  - (ii) ten cells in fully discharged states,
  - (iii) four batteries in undischarged states, and
  - (iv) four batteries in fully discharged states.
- (b) When testing rechargeable cells and batteries under tests 1 to 5 the following shall be tested:
  - (i) ten cells, at first cycle, in fully charged states,
  - (ii) ten cells, at first cycle, in fully discharged states,
  - (iii) four batteries, at first cycle, in fully charged states,
  - (iv) four batteries, at first cycle, in fully discharged states,
  - (v) four batteries after fifty cycles ending in fully charged states, and
  - (vi) four batteries after fifty cycles ending in fully discharged states.



- (c) When testing primary and rechargeable cells under test 6, the following shall be tested:
- (i) for primary cells, five cells in undischarged states and five cells in fully discharged states,
  - (ii) for component cells of primary batteries, five cells in undischarged states and five cells in fully discharged states,
  - (iii) for rechargeable cells, five cells at first cycle at 50% of the design rated capacity and five cells after 50 cycles ending in fully discharged states, and
  - (iv) for component cells of rechargeable batteries, five cells at first cycle at 50% of the design rated capacity and five cells after 50 cycles ending in fully discharged states.

For prismatic cells, ten test cells are required for each of the states of charge being tested, instead of the five described above, so that the procedure can be carried out on five cells along the longitudinal axes and, separately, five cells along the other axes. In every case, the test cell is only subjected to one impact.

- (d) When testing rechargeable batteries under test 7, the following shall be tested:
- (i) four rechargeable batteries, at first cycle, in fully charged states, and
  - (ii) four rechargeable batteries after fifty cycles ending in fully charged states.
- (e) When testing primary and rechargeable cells under test 8, the following shall be tested:
- (i) ten primary cells in fully discharged states,
  - (ii) ten rechargeable cells, at first cycle in fully discharged states, and
  - (iii) ten rechargeable cells after fifty cycles ending in fully discharged states.

When batteries that have passed all applicable tests are electrically connected to form a battery assembly in which the aggregate lithium content of all anodes, when fully charged, is more than 500 g, that battery assembly does not need to be tested if it is equipped with a system capable of monitoring the battery assembly and preventing short circuits, or over discharge between the batteries in the assembly and any overheat or overcharge of the battery assembly.

### 38.3.4 Procedure

Each cell and battery type must be subjected to tests 1 to 8. Tests 1 to 5 must be conducted in sequence on the same cell or battery. Tests 6 and 8 should be conducted using not otherwise tested cells or batteries. Test 7 may be conducted using undamaged batteries previously used in Tests 1 to 5 for purposes of testing on cycled batteries.

#### 38.3.4.1 *Test T.1: Altitude simulation*

##### 38.3.4.1.1 Purpose

This test simulates air transport under low-pressure conditions.

##### 38.3.4.1.2 Test procedure

Test cells and batteries shall be stored at a pressure of 11.6 kPa or less for at least six hours at ambient temperature ( $20 \pm 5$  °C).

##### 38.3.4.1.3 Requirement

Cells and batteries meet this requirement if there is no mass loss, no leakage, no venting, no disassembly, no rupture and no fire and if the open circuit voltage of each test cell or battery after testing is not less than 90% of its voltage immediately prior to this procedure. The requirement relating to voltage is not applicable to test cells and batteries at fully discharged states.

#### 38.3.4.2 *Test T.2: Thermal test*

##### 38.3.4.2.1 Purpose

This test assesses cell and battery seal integrity and internal electrical connections. The test is conducted using rapid and extreme temperature changes.

##### 38.3.4.2.2 Test procedure

Test cells and batteries are to be stored for at least six hours at a test temperature equal to  $75 \pm 2$  °C, followed by storage for at least six hours at a test temperature equal to  $-40 \pm 2$  °C. The maximum time interval between test temperature extremes is 30 minutes. This procedure is to be repeated 10 times, after which all test cells and batteries are to be stored for 24 hours at ambient temperature ( $20 \pm 5$  °C). For large cells and batteries the duration of exposure to the test temperature extremes should be at least 12 hours.

##### 38.3.4.2.3 Requirement

Cells and batteries meet this requirement if there is no mass loss, no leakage, no venting, no disassembly, no rupture and no fire and if the open circuit voltage of each test cell or battery after testing is not less than 90% of its voltage immediately prior to this procedure. The requirement relating to voltage is not applicable to test cells and batteries at fully discharged states.

### 38.3.4.3 ***Test T.3: Vibration***

#### 38.3.4.3.1 Purpose

This test simulates vibration during transport.

#### 38.3.4.3.2 Test procedure

Cells and batteries are firmly secured to the platform of the vibration machine without distorting the cells in such a manner as to faithfully transmit the vibration. The vibration shall be a sinusoidal waveform with a logarithmic sweep between 7 Hz and 200 Hz and back to 7 Hz traversed in 15 minutes. This cycle shall be repeated 12 times for a total of 3 hours for each of three mutually perpendicular mounting positions of the cell. One of the directions of vibration must be perpendicular to the terminal face.

The logarithmic frequency sweep is as follows: from 7 Hz a peak acceleration of 1 g<sub>n</sub> is maintained until 18 Hz is reached. The amplitude is then maintained at 0.8 mm (1.6 mm total excursion) and the frequency increased until a peak acceleration of 8 g<sub>n</sub> occurs (approximately 50 Hz). A peak acceleration of 8 g<sub>n</sub> is then maintained until the frequency is increased to 200 Hz.

#### 38.3.4.3.3 Requirement

Cells and batteries meet this requirement if there is no mass loss, no leakage, no venting, no disassembly, no rupture and no fire and if the open circuit voltage of each test cell or battery after testing is not less than 90% of its voltage immediately prior to this procedure. The requirement relating to voltage is not applicable to test cells and batteries at fully discharged states.

### 38.3.4.4 ***Test T.4: Shock***

#### 38.3.4.4.1 Purpose

This test simulates possible impacts during transport.

#### 38.3.4.4.2 Test procedure

Test cells and batteries shall be secured to the testing machine by means of a rigid mount which will support all mounting surfaces of each test battery. Each cell or battery shall be subjected to a half-sine shock of peak acceleration of 150 g<sub>n</sub> and pulse duration of 6 milliseconds. Each cell or battery shall be subjected to three shocks in the positive direction followed by three shocks in the negative direction of three mutually perpendicular mounting positions of the cell or battery for a total of 18 shocks.

However, large cells and large batteries shall be subjected to a half-sine shock of peak acceleration of 50 g<sub>n</sub> and pulse duration of 11 milliseconds. Each cell or battery is subjected to three shocks in the positive direction followed by three shocks in the negative direction of each of three mutually perpendicular mounting positions of the cell for a total of 18 shocks.

#### 38.3.4.4.3 Requirement

Cells and batteries meet this requirement if there is no mass loss, no leakage, no venting, no disassembly, no rupture and no fire and if the open circuit voltage of each test cell or battery after testing is not less than 90% of its voltage immediately prior to this procedure. The requirement relating to voltage is not applicable to test cells and batteries at fully discharged states.

38.3.4.5 **Test T.5: External short circuit**

38.3.4.5.1 Purpose

This test simulates an external short circuit.

38.3.4.5.2 Test procedure

The cell or battery to be tested shall be temperature stabilized so that its external case temperature reaches  $55 \pm 2^\circ\text{C}$  and then the cell or battery shall be subjected to a short circuit condition with a total external resistance of less than 0.1 ohm at  $55 \pm 2^\circ\text{C}$ . This short circuit condition is continued for at least one hour after the cell or battery external case temperature has returned to  $55 \pm 2^\circ\text{C}$ . The cell or battery must be observed for a further six hours for the test to be concluded.

38.3.4.5.3 Requirement

Cells and batteries meet this requirement if their external temperature does not exceed  $170^\circ\text{C}$  and there is no disassembly, no rupture and no fire within six hours of this test.

38.3.4.6 **Test T.6: Impact**

38.3.4.6.1 Purpose

This test simulates an impact.

38.3.4.6.2 Test procedure

The test sample cell or component cell is to be placed on a flat surface. A 15.8 mm diameter bar is to be placed across the centre of the sample. A 9.1 kg mass is to be dropped from a height of  $61 \pm 2.5$  cm onto the sample.

A cylindrical or prismatic cell is to be impacted with its longitudinal axis parallel to the flat surface and perpendicular to the longitudinal axis of the 15.8 mm diameter curved surface lying across the centre of the test sample. A prismatic cell is also to be rotated 90 degrees around its longitudinal axis so that both the wide and narrow sides will be subjected to the impact. Each sample is to be subjected to only a single impact. Separate samples are to be used for each impact.

A coin or button cell is to be impacted with the flat surface of the sample parallel to the flat surface and the 15.8 mm diameter curved surface lying across its centre.

38.3.4.6.3 Requirement

Cells and component cells meet this requirement if their external temperature does not exceed  $170^\circ\text{C}$  and there is no disassembly and no fire within six hours of this test.

38.3.4.7 **Test T.7: Overcharge**

38.3.4.7.1 Purpose

This test evaluates the ability of a rechargeable battery to withstand an overcharge condition.

38.3.4.7.2 Test procedure

The charge current shall be twice the manufacturer's recommended maximum continuous charge current. The minimum voltage of the test shall be as follows:

- (a) when the manufacturer's recommended charge voltage is not more than 18V, the minimum voltage of the test shall be the lesser of two times the maximum charge voltage of the battery or 22V.
- (b) when the manufacturer's recommended charge voltage is more than 18V, the minimum voltage of the test shall be 1.2 times the maximum charge voltage.

Tests are to be conducted at ambient temperature. The duration of the test shall be 24 hours.

38.3.4.7.3 Requirement

Rechargeable batteries meet this requirement if there is no disassembly and no fire within seven days of the test.

38.3.4.8 **Test T.8: Forced discharge**

38.3.4.8.1 Purpose

This test evaluates the ability of a primary or a rechargeable cell to withstand a forced discharge condition.

38.3.4.8.2 Test procedure

Each cell shall be forced discharged at ambient temperature by connecting it in series with a 12V D.C. power supply at an initial current equal to the maximum discharge current specified by the manufacturer.

The specified discharge current is to be obtained by connecting a resistive load of the appropriate size and rating in series with the test cell. Each cell shall be forced discharged for a time interval (in hours) equal to its rated capacity divided by the initial test current (in Ampere).

38.3.4.8.3 Requirement

Primary or rechargeable cells meet this requirement if there is no disassembly and no fire within seven days of the test.

