

Distr.
GENERAL

TRANS/WP.29/GRSP/2001/15
4 September 2001

Original: ENGLISH

ECONOMIC COMMISSION FOR EUROPE

INLAND TRANSPORT COMMITTEE

World Forum for Harmonization of Vehicle Regulations (WP.29)

Working Party on Passive Safety (GRSP)

(Thirtieth session, 3-6 December 2001,
agenda item 1.3.3.)

PROPOSAL FOR DRAFT 04 SERIES OF AMENDMENTS TO REGULATION No. 16
(Safety-belts)

Transmitted by the Expert from France

Note: The text reproduced below was prepared by the expert from France in order to introduce into Regulation No. 16 the provisions for the installation of the ISOFIX child restraint systems (CRS) prepared by the International Organization for Standardization (ISO). It is based on a document distributed without a symbol (informal document No. 22) during the twenty-ninth session (TRANS/WP.29/GRSP/29, para. 29).

The text is presented as follows:

- (1) "ISOFIX" is used as a qualified adjective in order to simplify the modification redaction and to allow child restraint system users to be able to identify ISOFIX restraints without any doubt,
- (2) words copied from the International Standard ISO 13216-1:1999 are written in *italics*,
- (3) words removed from the original text of Regulation No. 16 are written between brackets and crossed out,
- (4) words added to the original text of Regulation No. 16 are written in **bold type**

Note: This document is distributed to the Experts on Passive Safety only.

GE.01-

A. PROPOSAL

Insert a new paragraph 8.3.6., to read:

"8.3.6. For any ISOFIX anchorages system installed in the vehicle, it shall be verified the possibility to attach the ISOFIX child restraint system. For this verification, the seats, the seats back and adjustable head restraints, if fitted, will be placed according to the positions specified by the car manufacturer. The device used for this verification is defined by the car manufacturer in compliance with annex 17 of this Regulation."

Annex 17,

Paragraph 1.1., amend to read:

"...
... for child restraints of the "universal" category (see paragraph 1.2. below), [or /] and for ISOFIX child restraint systems (see paragraph 1.3. below) as specified below the table of the appendix 1;

(b) Provide a list of ISOFIX child restraint systems or restraint systems of the "semi-universal", "restricted" or "vehicle specific" categories, suitable for that vehicle seating position, ..."

...
... forward-facing child restraint systems, this shall be indicated.

Where applicable any restriction on the simultaneous use of ISOFIX child restraint systems on adjacent positions, and the possible restrictions on the adjustment of the seats, the seats back and adjustable head restraints, if fitted, shall be so reported.

A table in a ..."

Insert a new paragraph 1.3., to read:

"1.3. ISOFIX child restraint systems mean a child restraint system approved with Regulation No. 44 which has to be attached to an ISOFIX anchorages system approved with Regulation No. 14."

Annex 17 - Appendix 2,

The table and the key of letters to be inserted in table, amend to read:

"

Mass Group	Seating position (or other site)				
	Front Passenger	Rear Outboard	Rear Centre	Intermediate Outboard	Intermediate Centre
0 - up to 10 Kg					
0+ - up to 13 kg					
I - 9 to 18 kg					
II - 15 to 25 kg					
III - 22 to 36 kg					

...

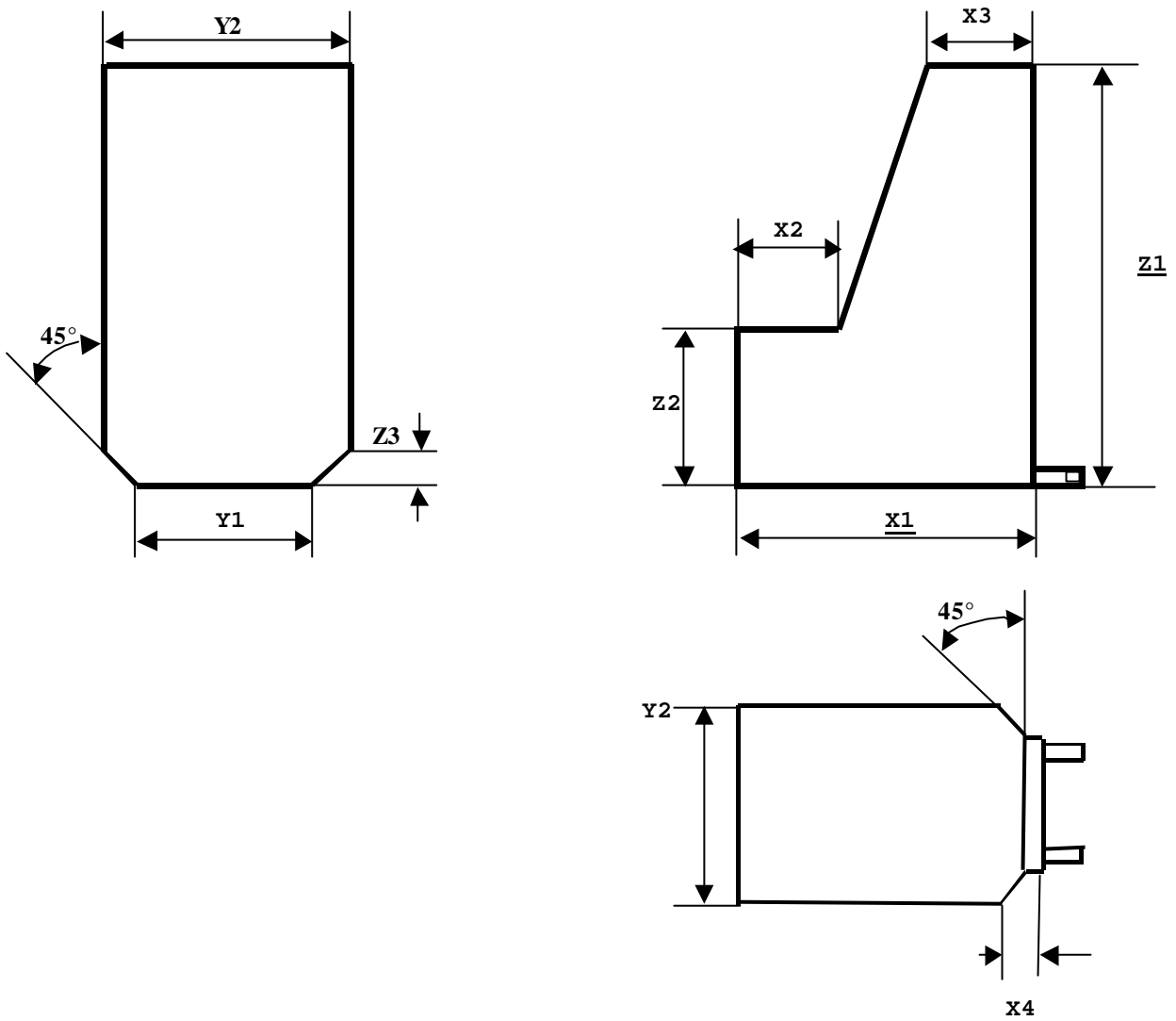
B = Built-in restraint approved for this mass group.

IFF = Suitable for ISOFIX forward facing child restraint systems (see figure 1) for use in this mass group.

IRF = Suitable for ISOFIX rearward facing restraint systems (see figure 2) for use in this mass group.

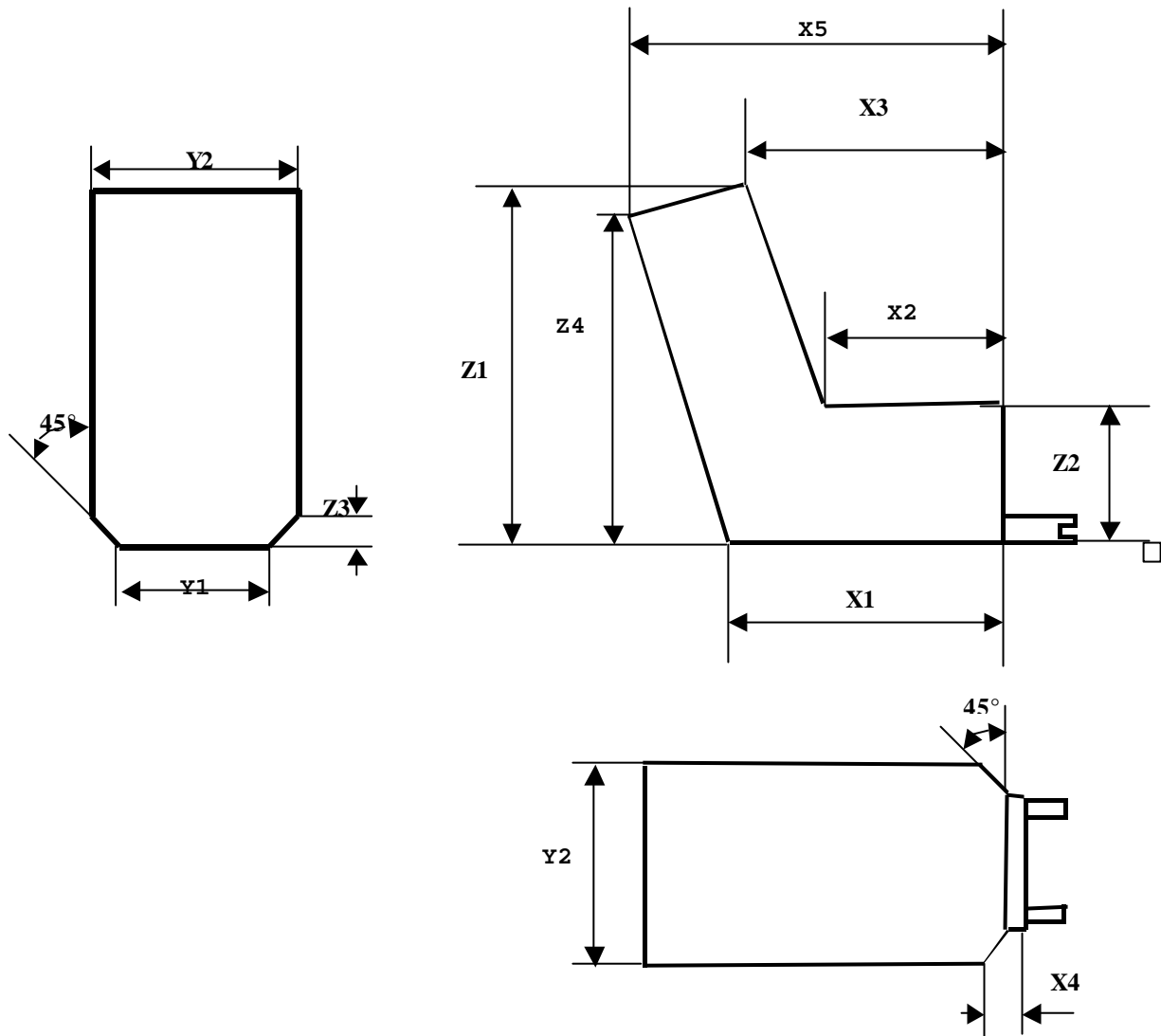
X = Seat position not suitable ..."

"Insert figures 1 and 2, to read:



	Group I	Group II	Group III
X1			
X2			
X3			
X4			
Y1			
Y2	[440 mm]	[440 mm]	[440 mm]
Z1			
Z2			
Z3			

Figure 1: Space required for ISOFIX forward facing child restraint systems (IFF)



	Group 0	Group 0+	Group I
X1			
X2			
X3			
X4			
X5			
Y1			
Y2	[440 mm]	[440 mm]	[440 mm]
Z1			
Z2			
Z3			
Z4			

Figure 2: Space required for ISOFIX rearward facing child restraint systems (IRF)"