



**Economic and Social  
Council**

Distr.  
GENERAL

TRANS/WP.29/GRSG/64  
3 December 2003

Original: ENGLISH

---

**ECONOMIC COMMISSION FOR EUROPE**

INLAND TRANSPORT COMMITTEE

World Forum for Harmonization of Vehicle Regulations (WP.29)

Working Party on General Safety Provisions (GRSG)

**REPORT OF THE WORKING PARTY ON GENERAL SAFETY PROVISIONS (GRSG)  
ON ITS EIGHTY-FIFTH SESSION**

(21 to 24 October 2003)

1. GRSG held its eighty-fifth session from 21 October (afternoon) 2003 to 24 October 2003, under the chairmanship of Mr. A. Erario (Italy). Experts from the following countries participated in the work, following Rule 1(a) of the Rules of Procedure of WP.29 (TRANS/WP.29/690): Canada; Czech Republic; Denmark; Finland; France; Germany; Hungary; Italy; Japan; Netherlands; Norway; Poland; Republic of Korea; Russian Federation; Spain; Sweden; United Kingdom; United States of America. A representative of the European Commission (EC) participated. Experts from the following non-governmental organizations took part in the session: International Road Transport Union (IRU); International Organization of Motor Vehicle Manufacturers (OICA); International Motorcycle Manufacturers Association (IMMA); European Association of Automobile Suppliers (CLEPA); European Insurance Committee (CEA).
2. The documents without a symbol distributed during the session are listed in annex 1 to this report.

#### DEVELOPMENT OF REGULATION No. 36 (Large capacity passenger vehicles)

Documentation: TRANS/WP.29/GRSG/2003/18; TRANS/WP.29/GRSG/2003/23; informal documents Nos. 12, 19 and 22 of annex 1 to this report.

3. GRSG considered and adopted the proposal of informal document No.12, which superseded document TRANS/WP.29/GRSG/2003/18, as reproduced in annex 2 to this report. It was agreed to transmit it to WP.29 and AC.1 for consideration at their March 2004 sessions as draft Supplement 10 to the 03 series of amendments to Regulation No. 36. Informal document No. 22 was withdrawn.

4. GRSG adopted document TRANS/WP.29/GRSG/2003/23 as amended by informal document No. 19 and reproduced in annex 4 to this report. The proposal will be transmitted to WP.29 and AC.1 for consideration only after the adoption of the 02 series of amendments to Regulation No. 107.

#### DEVELOPMENT OF REGULATION No. 52 (Small capacity passenger vehicles, M2 and M3 category)

Documentation: TRANS/WP.29/GRSG/2003/2; TRANS/WP.29/GRSG/2003/19; TRANS/WP.29/GRSG/2003/24; informal documents Nos. 14, 17, 19 and 24 of annex 1 to this report.

5. GRSG adopted document TRANS/WP.29/GRSG/2003/2 with the amendments proposed to it during its eighty-fourth session (TRANS/WP.29/GRSG/63, para. 7.). GRSG also adopted informal document No. 14 which superseded document TRANS/WP.29/GRSG/2003/19, as reproduced in annex 3 to this report. It was agreed to transmit these proposals to WP.29 and AC.1 for consideration at their March 2004 sessions as draft Supplement 7 to the 01 series of amendments to Regulation No. 52. Informal document No. 24 was withdrawn.

6. GRSG adopted TRANS/WP.29/GRSG/2003/24 as amended by informal document No. 19 and reproduced in annex 4 to this report. The proposal will be transmitted to WP.29 and AC.1 for consideration only after the adoption of the 02 series of amendments to Regulation No. 107.

7. GRSG had an exchange of views on informal document No. 17. The secretariat was requested to distribute it with an official symbol for consideration at the next GRSG session.

#### DEVELOPMENT OF REGULATION No. 107 (M2 and M3 vehicles)

Documentation: TRANS/WP.29/GRSG/2003/20; TRANS/WP.29/GRSG/2003/21; TRANS/WP.29/GRSG/2003/22; TRANS/WP.29/2003/71; informal documents Nos. 9, 10, 13, 15, 16, 23, 26 and 27 of annex 1 to this report.

8. GRSG considered and adopted TRANS/WP.29/GRSG/2003/21 with the exception of the transitional provisions which should be aligned to those to be adopted by WP.29 and AC.1 at their March 2004 sessions for the 01 series of amendments to Regulation No. 107. GRSG agreed to transmit the proposal to WP.29 and AC.1 at a suitable moment.

9. GRSG had an exchange of views on document TRANS/WP.29/GRSG/2003/22. The expert from OICA agreed to prepare a revised document for consideration at the next GRSG session, taking into account the comments made during the session and incorporating in it the text of informal document No.13 which superseded TRANS/WP.29/GRSG/2003/20, as well as TRANS/WP.29/2003/71. Informal document No. 23 was withdrawn.

10. Related to the derogation to the manoeuvrability granted to Portugal and to the United Kingdom, the expert from the United Kingdom presented informal document No. 15 on the preliminary results of a study on Bus and Coach Manoeuvrability. He confirmed that the final report should be elaborated by the European Commission.

11. GRSG noted the information in informal documents Nos. 9, 10 and 16 concerning the work done on the safety of wheelchair users in vehicles. It was also noted that the next meeting of the informal group would be held in Sweden on 15 and 16 December 2003. Experts intending to participate in this group were invited to send their proposals to the expert from Sweden before the 15 November 2003.

12. The expert from OICA expressed his doubts whether safety-related problems of restraint systems causing fatalities fell under the competence of GRSG or GRSP. The secretariat was requested to inform GRSP about the activities of the informal group and invited GRSP experts to participate in its work.

13. GRSG considered informal document No. 27 containing amendment proposals to document TRANS/WP.29/2003/70 which was on the agenda of WP.29 and AC.1 November 2003 sessions for consideration. At the request of GRSG, the expert from the United Kingdom offered to transmit an official document for consideration at the next GRSG session.

14. GRSG had an exchange of views on the question of type approval of double deck vehicles without a roof (informal document No. 26). Some experts considered that Regulation No. 107 covered them. Others were of the opinion that if they were included in the scope of the Regulation they would need specific requirements. The expert from Spain, in cooperation with the expert from France, agreed to submit proposals for the next session. The expert from Hungary was of the opinion that the proposals should also cover single deck vehicles without a roof.

#### DEVELOPMENT OF REGULATION No. 66 (Strength of superstructure)

Documentation: TRANS/WP.29/GRSG/2003/25; informal documents Nos. 1/Rev.1, 7, 8, 18 and 28 of annex 1 to this report.

15. GRSG thanked the expert from Hungary for the statistics on rollover accidents of buses, made available in informal document No. 1/Rev.1.

16. The expert from Hungary, Chairman of the informal group dealing with the development of Regulation No. 66, reported to GRSG about the progress made during the meeting, which had been held in London on 8 July 2003 (informal document No. 7). After the meeting, he received further comments on document TRANS/WP.29/GRSG/2003/25 from the experts from Belgium and from the Czech Republic, transmitted to GRSG as informal documents. Document TRANS/WP.29/GRSG/2003/25 and the comments on it (informal documents Nos. 7, 8) will be considered at the next session. GRSG requested the secretariat to distribute informal documents Nos. 18 and 28 with an official symbol for consideration at the next session.

REGULATION No. 43 (Safety glazing)

(a) Development

17. The expert from Germany announced that no samples of alternative head forms had been provided by the industry of the United States of America for conducting the comparative tests with the head form currently used by the Regulation No. 43.

(b) Draft global technical regulation (gtr)

18. The expert from Germany reported on the progress of the informal group in charge of developing the draft gtr. He expressed his intention to submit a document for consideration at the next GRSG session.

DEVELOPMENT OF THE DRAFT REGULATION ON THE PROTECTION OF M1 AND M2 CATEGORIES OF VEHICLES AGAINST UNAUTHORIZED USE

19. GRSG did not consider this item, awaiting the results of the proposal for Regulation No. 97 (see para. 20 below).

DEVELOPMENT OF REGULATION No. 97 (Vehicle alarm systems)

Documentation: TRANS/WP.29/GRSG/2003/26.

20. GRSG had an exchange of views on document TRANS/WP.29/GRSG/2003/26 and agreed that it needs further improvement. The expert from Germany volunteered to convene a meeting of a reduced drafting group in order to prepare a revised document. Experts from the Czech Republic, European Commission, France, Japan, United Kingdom, CEA and OICA expressed their intention to attend the meeting.

DEVELOPMENT OF REGULATION No. 46 (Rear-view mirrors)

Documentation: TRANS/WP.29/GRSG/2002/10; TRANS/WP.29/GRSG/2003/9; informal document No. 20 of annex 1 to this report.

21. GRSG took note of the comments (TRANS/WP.29/GRSG/2003/9 and informal document No. 20) on document TRANS/WP.29/GRSG/2002/10, intending to align it to the new draft European Union Directive amending the European Commission Directive 71/127/EEC. Once the definitive text of the Directive is available, the experts from the Netherlands, Germany and OICA will prepare a revised text for consideration by GRSG. GRSG confirmed its agreement to process it in two steps. The first is to align the Regulation to the European Union Directive, the second is to improve its prescriptions.

## DRAFT GLOBAL CONSOLIDATED RESOLUTION ON COMMON DEFINITIONS AND MASSES AND DIMENSIONS

Documentation: TRANS/WP.29/GRSG/2003/10/Rev.1; informal documents Nos. 3 and 4 of annex 1 to this report.

22. The expert from Japan introduced document TRANS/WP.29/GRSG/2003/10/Rev.1 as a part of a new Consolidated Resolution related to the 1998 Agreement. GRSG took note of the proposals from the expert from the Russian Federation on it (informal document No. 3) and agreed to consider them at a later stage, after the adoption of the Resolution.

23. GRSG agreed on the amendments to document TRANS/WP.29/GRSG/2003/10/Rev.1, reproduced in annex 5 to this report, including those proposed by the expert from the United States of America (informal document No. 4). The expert from the European Commission reserved his position concerning annex 3, paragraph 10.

24. The expert from Japan volunteered to draft a Preamble to the future Consolidated Resolution. GRSG agreed to transmit the amended text with the Preamble to WP.29 and AC.3 for consideration at their March 2004 sessions as a new draft Consolidated Resolution.

### ELECTION OF OFFICERS

25. In compliance with Rule No. 37 of the Rules of Procedure (TRANS/WP.29/690), Mr. A. Erario (Italy) and Mr. M. Matolcsy (Hungary) were unanimously elected as Chairman and Vice-Chairman respectively for the two sessions scheduled for the year 2004.

### OTHER BUSINESS

#### (a) Draft global technical regulation on identification of controls, tell-tales and indicators

Documentation: TRANS/WP.29/GRSG/2000/8/Rev.3; informal documents Nos. 2 and 21 of annex 1 to this report.

26. GRSG noted that informal document No. 2 highlighted the amendments introduced in the proposal transmitted by the expert from Canada (TRANS/WP.29/GRSG/2000/8/Rev.3) in relation to the previous version. The expert from OICA introduced informal document No. 21 proposing the deletion of table 2 and the paragraphs related to it. The expert from CLEPA supported the proposal. The expert from Japan made a reservation on the OICA proposal. The expert from the United States of America informed GRSG that the process of receiving comments to the proposal had not yet been concluded in his country.

27. The expert from OICA proposed that the text of the draft global technical regulation should be aligned with the text of the draft Regulation under the 1958 Agreement which had been adopted by GRSG at its previous session (TRANS/WP.29/GRSG/63, para. 45). The experts from the Netherlands and CLEPA supported this proposal. The experts from the United States of America, Canada, Japan and the United Kingdom were in favour of a possible further alignment of the Regulation annexed to the 1958 Agreement with the text of the gtr once it is adopted.

28. The proposal was considered in detail by GRSG. The expert of Canada volunteered to update the proposal, taking into account the comments received and to transmit it for consideration at the April 2004 session. The expert of Japan introduced a reservation concerning symbols Nos. 23, 24, and 25, as they were not included in the ISO Standard.

(b) Draft Regulation on the driver's field of vision

Documentation: TRANS/WP.29/GRSG/2000/19/Rev.1; TRANS/WP.29/GRSG/2002/1; TRANS/WP.29/GRSG/2002/9.

29. Awaiting the announced updated proposals from the expert from Belgium, GRSG postponed the discussion of this item to its next session. The secretariat was requested to contact the expert from Belgium for information about the possibility of having the proposal for consideration at the April 2004 session.

(c) New draft Regulation concerning heating systems

Documentation: TRANS/WP.29/GRSG/2002/11 and Add. 1; informal document No. 11 of annex 1 to this report.

30. The expert from OICA introduced the proposals in informal document No. 11, which is a consolidated text of all the proposals adopted so far. The expert from the Netherlands withdrew his reservation. GRSG adopted the proposal of TRANS/WP.29/GRSG/2002/11 and Add. 1 as amended in the report of the previous session (TRANS/WP.29/GRSG/63, para. 38.) and in annex 6 to this report. GRSG requested the secretariat to transmit the proposal to WP.29 and AC.1 for consideration at their March 2004 sessions.

(d) Regulation No. 26 (Vehicles with regard their external projections)

Documentation: TRANS/WP.29/GRSG/2003/11; TRANS/WP.29/GRSG/2003/28; informal document No. 25 of annex 1 to this report.

31. GRSG had an exchange of views on the proposals received from the experts from France (TRANS/WP.29/GRSG/2003/28), the Netherlands (TRANS/WP.29/GRSG/2003/11) and OICA (informal document No. 25). It was agreed that these experts should agree on a common proposal to be transmitted to GRSG for consideration at its April 2004 session.

(e) Draft Rule No. 2 - Periodical technical inspections of wheeled vehicles with regard to their roadworthiness

Documentation: TRANS/WP.29/GRSG/2003/16.

32. GRSG had an exchange of views on document TRANS/WP.29/GRSG/2003/16. The expert from France was of the opinion that the document contained too many items, some of them not considered essential in a periodical technical inspection. He said that, in the usual time devoted to a periodical inspection, it would be impossible to verify all the proposed items. He raised the question as to whether the special inspection of vehicles for transport of dangerous goods should be included in the proposals.

33. The expert from the Russian Federation shared this opinion and indicated that the document did not give specific requirements for ADR vehicles. He announced the transmission of a concrete proposal to improve it.

34. In conclusion, GRSG considered that further work would be necessary to permit the practical application of the proposal. Experts were requested to send their written comments to the secretariat for further consideration.

(f) Consolidated Resolution on the constructions of vehicles (R.E.3)

Documentation: Informal document No. 29 of annex 1 to this report.

34. GRSG took note of informal document No. 29 transmitted by the expert from the Russian Federation who announced an updated version of the document which will be sent to the secretariat for distribution with an official symbol at the next session.

(g) Draft Regulation on identification of controls, tell-tales and indicators

Documentation: TRANS/WP.29/GRSG/2003/17.

35. GRSG considered document TRANS/WP.29/GRSG/2003/17 and retained the following amendment proposals to TRANS/WP.29/2002/67/Rev.1:

Paragraph 5.3.1., amend to read:

" ... of being illuminated whenever the position lamps are activated. This does not apply to controls ..."

Paragraph 5.3.2., amend to read:

" ... the engine to operate and the position lamps are activated."

Paragraph 5.3.5., amend to read:

"... or during a bulb check."

36. The secretariat was requested to transmit this proposal as a Corrigendum to TRANS/WP.29/2002/67/Rev.1 to WP.29 and AC.1 for consideration at their March 2004 sessions.

(h) Declaration of compliance with a specific (former) version of an ECE Regulation

Documentation: TRANS/WP.29/GRSG/2003/44.

37. During an exchange of views on document TRANS/WP.29/GRSG/2003/44, GRSG experts expressed their agreement with the document. The expert from Japan expressed his opposition to the proposal and announced that he would explain it at the next WP.29 session.

(i) Frontal collision of buses

Documentation: Informal document No. 5 of annex 1 to this report.

38. GRSG noted the report of the research study meeting on passenger safety in case of frontal collision of buses, held in Madrid on 15 and 16 September 2003 (Informal document No. 5) and thanked the expert from Hungary for the slide show on this subject. The expert from OICA suggested that GRSP experts should be involved in the research and expressed his intention to attend the next meeting.

TRIBUTE TO Mr. G. FELTEN

39. Mr. Günter Felten (expert from Germany) informed GRSG that he would retire at the end of the year. GRSG thanked Mr. Felten for his high contribution to GRSG' s work and wished him a long and happy retirement with prolonged applause.

AGENDA FOR THE NEXT SESSION

40. For its eighty-sixth session to be held in Geneva from 19 (14.30 h) to 23 (12.30 h) April 2004, GRSG agreed on the following provisional agenda 1/

1. Regulation No. 36 (Large capacity passenger vehicles), development
2. Regulation No. 52 (Small capacity passenger vehicles, M2 and M3 category), development
3. Regulation No. 107 (Double-deck large passenger vehicles), development
4. Regulation No. 66 (Strength of superstructure), development
5. Safety glazing (Draft global technical regulation)
6. Draft Regulation on the protection of M1 and N1 category vehicles against unauthorized use, development
7. Regulation No. 97 (Vehicle alarm systems), development
8. Regulation No. 46 (Rear view mirrors), development
9. Draft Consolidated Resolution on Common definitions on masses and dimensions
10. Other business
- 10.1 Draft global technical regulation on identification of controls, tell-tales and indicators
- 10.2. Draft Regulation concerning the driver's field of vision of power driven vehicles
- 10.3. Regulation No. 26 (Vehicles with regard their external projections)
- 10.4 Draft Rule No. 2 (Periodical inspection of wheeled vehicles with regard to their roadworthiness) of the 1997 Agreement



- 10.5. Consolidated Resolution on the Construction of Vehicles (R.E.3), development
- 10.6. Declaration of compliance with a specific (former) version of an ECE regulation
- 10.7. Frontal collision of buses

---

1/ As part of the secretariat's efforts to reduce expenditure, all the official as well as the informal documents distributed prior to the session by mail or placed on the UNECE web-site, (<http://www.unece.org/trans/main/welcwp29.htm>) will not be available in the conference room for distribution to session participants. Delegates are kindly requested to bring their copies of documents to the meeting.

Annex 1

LIST OF INFORMAL DOCUMENTS DISTRIBUTED WITHOUT  
A SYMBOL DURING THE SESSION

<u>No</u>	<u>Transmitted by</u>	<u>Agenda item</u>	<u>Language</u>	<u>Title</u>
1.and 1/Rev.1	Hungary	4.	E	Unusual statistics about rollover accident of buses – V.
2	Canada	11.4.	E	Proposal for a new draft GTR on Hand controls, tell-tales and indicators on category 1 and 2 vehicles
3	Russian Federation	9.	E	Draft amendments to TRANS/WP.29/GRSG/2003/10
4	United States of America	9.	E	Draft amendments to TRANS/WP.29/GRSG/2003/10/Rev.1
5	Hungary	4.	E	Report about the ad-hoc meeting held in Madrid, 15-16.September 2003
6	Chairman		E	Provisional agenda item Running Order
7	Hungary	4.	E	Report on the editorial meeting of AHEG (Regulation No. 66), London, 08.07.2003
8	Germany	4.	E	Proposal for draft amendments to Regulation No. 66
9	United Kingdom	3.	E	Meeting of the GRSG Ad-hoc group, 30 June 2003 (Wheelchairs)
10	United Kingdom	3.	E	Terms of Reference, Ad-hoc group on Safety of Wheelchair users in Vehicles
11	OICA	11.3.	E	Proposal for a draft Regulation on heating systems
12	Germany	1.	E	Proposal for draft amendments to Regulation No. 36
13	Germany	3.	E	Proposal for draft amendments to Regulation No. 107

<u>No</u>	<u>Transmitted by</u>	<u>Agenda item</u>	<u>Language</u>	<u>Title</u>
14	Germany	2.	E	Proposal for draft amendments to Regulation No. 52
15	United Kingdom	3.	E	Preliminary results from UK project on Bus and Coach Manoeuvrability
16	United Kingdom	3.	E	Minutes of the GRSG ad-hoc group on Wheelchair Passengers in Road Vehicles
17	Russian Federation	2.	E	Re. Regulation No. 52
18	Netherlands	4.	E	Remarks to draft 01 series of amendments to Regulation No. 66
19	Netherlands	1.	E	Transitional provisions for Regulation No. 36
20	Netherlands	8.	E	Aligning TRANS/WP.29/GRSG/2002/10 with EC 41/2003-10-21
21	OICA	11.1.	E	Proposal for draft amendments to document TRANS/WP.29/GRSG/2000/8/Rev.3.
22	OICA	1.	E	Proposal for draft amendments to document TRANS/WP.29/GRSG/2003/18
23	OICA	3.	E	Proposal for draft amendments to document TRANS/WP.29/GRSG/2003/20
24	OICA	2.	E	Proposal for draft amendments to document TRANS/WP.29/GRSG/2003/19
25	OICA	11.4.	E	Proposal for draft amendments to document TRANS/WP.29/GRSG/2003/11
26	Spain	3.	E	Re. Regulation No. 107
27	United Kingdom	3.	E	Re. Regulation No. 107
28	Spain	4.	E	Remarks to draft 01 series of amendments to Regulation No. 66
29	Russian Federation	11.6.	E	Proposal concerning definitions of motor cycles

---

Annex 2

AMENDMENTS TO REGULATION No. 36 ADOPTED  
BY GRSG AT ITS EIGHTY-FIFTH SESSION  
(see paragraph 3. of this report)

Paragraph 5.7.8.5.1., amend to read:

"5.7.8.5.1. For a seat behind a partition or other rigid structure other than a seat, a minimum clear space in front of each passenger seat shall be provided as shown in annex 3, figure 8. A partition whose contour corresponds approximately to that of the inclined seat back may intrude into this space as provided by paragraph 5.7.8.4."

Insert a new paragraph 5.7.8.5.2., to read:

"5.7.8.5.2. For a seat behind a seat and/or a seat facing the gangway, a minimum clear foot space of at least 300 mm depth and a width according to paragraph 5.7.8.1.1., shall be provided as shown in annex 3, figure 6b. The local presence in this space of seat legs and of intrusions as provided by paragraph 5.7.8.6.2.3. shall be permitted provided that adequate space remains for the passengers' feet. This foot space may partly be situated in and/or above the gangway but shall not create any obstruction when measuring the minimum gangway-width in accordance with paragraph 5.7.5."

Paragraph 5.7.8.5.2., renumber as paragraph 5.7.8.5.3.

Annex 3,

Figure 6, renumber as Figure 6a.

Insert a new figure 6b, to read:

"Figure 6b

SPACE FOR SEATED PASSENGERS BEHIND A SEAT AND/ OR A SEAT FACING THE  
GANGWAY  
(see paragraph 5.7.8.5.2)

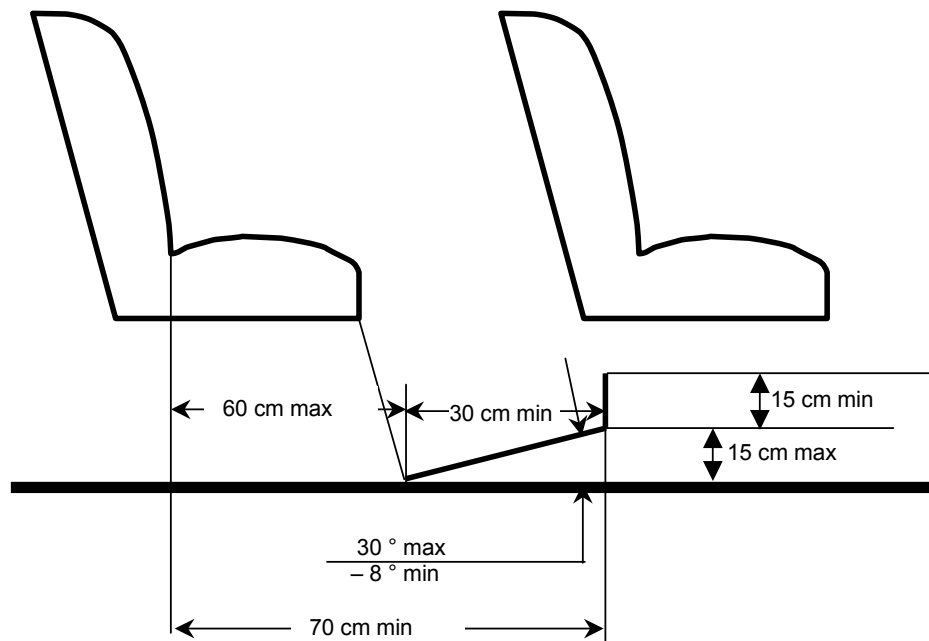


Figure 8, amend the title to read:

"Figure 8

SPACE FOR SEATED PASSENGERS BEHIND A PARTITION OR OTHER RIGID  
STRUCTURE OTHER THAN A SEAT  
(see paragraph 5.7.8.5.1)"

---

Annex 3

AMENDMENTS TO REGULATION No. 52  
ADOPTED BY GRSG AT ITS EIGHTY-FIFTH SESSION  
(see paragraph 5. of this report)

Paragraph 5.7.8.5.1., amend to read:

"5.7.8.5.1. For a seat behind a partition or other rigid structure other than a seat, a minimum clear space in front of each passenger seat shall be provided as shown in annex 3, figure 16. A partition whose contour corresponds approximately to that of the inclined seat back may intrude into this space as provided by paragraph 5.7.8.4. Intrusion of the dashboard, instrument panel, windscreen, sun visor, seat belts anchorages shall be allowed."

Insert a new paragraph 5.7.8.5.2., to read:

"5.7.8.5.2. For a seat behind a seat and/or a seat facing the gangway, a minimum clear foot space of at least 300 mm depth and a width according to paragraph 5.7.8.2.1. shall be provided as shown in annex 3, figure 15b. The local presence in this space of seat legs and of intrusions as provided by paragraph 5.7.8.1.3.3. and 5.7.8.1.3.4. shall be permitted provided that adequate space remains for the passengers' feet. This foot space may partly be situated in and/or above the gangway but shall not create any obstruction when measuring the minimum gangway-width in accordance with paragraph 5.7.5. Intrusion of the seat belts and seat belt anchorages shall be allowed."

Paragraph 5.7.8.5.2., renumber as paragraph 5.7.8.5.3.

Annex 3,

Figure 15, renumber as Figure 15a.

Insert a new figure 15b, to read:

"Figure 15b

SPACE FOR SEATED PASSENGERS BEHIND A SEAT AND/ OR A SEAT FACING THE  
GANGWAY  
(see paragraph 5.7.8.5.2.)

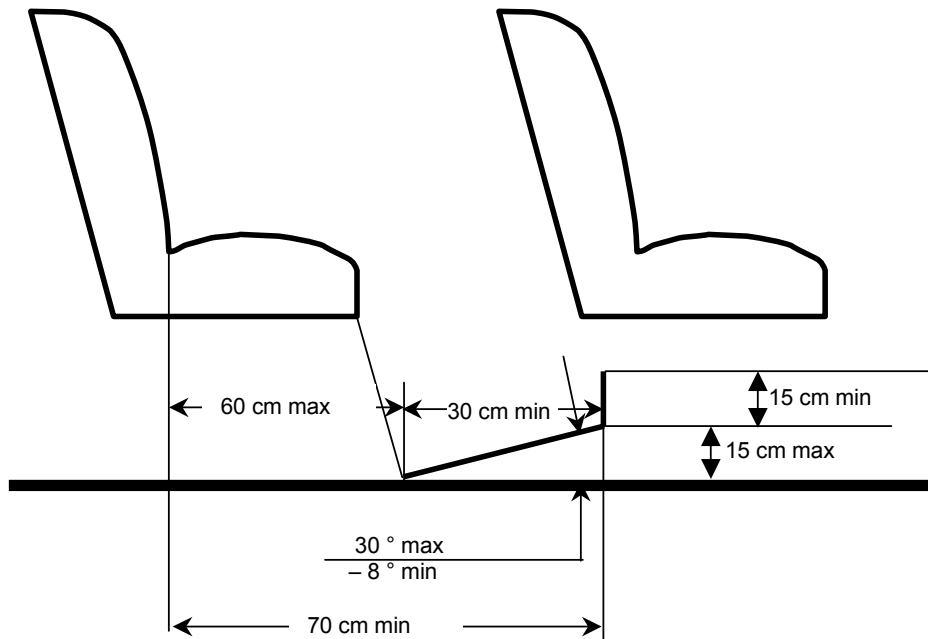


Figure 16, amend the title to read:

"Figure 16

SPACE FOR SEATED PASSENGERS BEHIND A PARTITION OR OTHER RIGID  
STRUCTURE OTHER THAN A SEAT  
(see paragraph 5.7.8.5.1.)"

---

Annex 4

AMENDMENTS TO REGULATIONS Nos. 36 AND 52 ADOPTED BY GRSG AT ITS  
EIGHTY-FIFTH SESSION AND TO BE TRANSMITTED TO WP.29 AND AC.1 AT A  
LATER STAGE

(see paras. 4. and 6. of this report)

Regulations Nos. 36 and 52

Paragraphs 10.1. to 10.3., amend to read:

- "10.1. As from 36 months after the date of entry into force of the 02 series of amendments of Regulation No.107 no new approvals shall be granted under this Regulation.
- 10.2. Contracting Parties applying this Regulation shall not refuse to grant extensions of approval to this Regulation to vehicles type approved pursuant this Regulation before the date 36 months after the date of entry into force of the 02 series of amendments of Regulation No.107.
- 10.3. Starting from the date stated in the transitional provisions contained in the 02 series of amendments to Regulation No. 107, Contracting Parties applying Regulation No. 36 may refuse the first national registration (first entry into service) of a vehicle type approved pursuant to this Regulation which does not meet the requirements contained in Regulation No. 107 as amended by the 02 series of amendments."
-



Annex 5

AMENDMENTS TO DOCUMENT TRANS/WP.29/GRSG/2003/10/Rev.1  
ADOPTED BY GRSG AT ITS EIGHTY-FIFTH SESSION  
(see paragraph 23. of this report)

Throughout the document, replace "requirements" by "provisions" and "accessories" by "optional equipment"

Paragraph 2.4., replace "gtr 0" by "Consolidated Resolution"

Annex 1,

Paragraph 6., delete the square brackets

Paragraph 7., delete the square brackets and amend to read:

"... designed and constructed, other than minor finishing operations such as painting."

Annex 2,

Paragraph 1.3., delete the square brackets

Paragraph 1.3.1., amend to read:

"1.3.1. " ...

Pay mass as defined in paragraph 7. of annex 3 exceeds 150 kg for the vehicle, as configured with maximum mass of factory fitted optional equipment, the vehicle shall be deemed to be a category 2 vehicle.

In all ..."

Paragraphs 2.1.1., 2.1.2., 2.1.3., 2.1.4. and 2.1.5., delete the square brackets

Footnote 1/ to paragraph 2.1.1., replace "EU" by "European Commission"

Annex 3,

Paragraph 2.1., delete the square brackets, delete the footnote and replace "accessories" by "equipment"

Paragraph 2.3., should be deleted.

Paragraph 3.1., amend to read:

"3.1. Sum of unladen vehicle mass and driver's mass. The driver's mass ..."

Paragraph 4., amend to read:

"... equal to the sum of the maximum axles (group of axles) capacity."

Paragraph 9., amend to read:

"9. "Maximum axle (group of axles) capacity" means ...by the axle (group of axles), as defined....The maximum axle (group of axles) capacity ..."

Annex 4, the title, delete the square brackets

---

Annex 6

AMENDMENTS TO DOCUMENT TRANS/WP.29/GRSG/2002/11 AND Add. 1  
ADOPTED BY GRSG AT ITS EIGHTY-FIFTH SESSION  
(see paragraph 30. of this report)

Paragraph 3.1.3., amend the reference to "annex 1, part 1", to read "annex 1, part 1, appendix 1".

Paragraph 3.2.3., amend the reference to "annex 1, part 2", to read "annex 1, part 1, appendix 2".

Paragraph 4.2., delete the square brackets (the text remains).

Paragraph 4.5., delete the square brackets (the text remains), footnote 2/ and the reference to footnote 2/.

Paragraph 6.2.1., note 2, amend to read:

" ..... will be added to this Regulation in a later stage."

Annex 2,

Model B, delete the reference to footnote 1/ and footnote 1/.

Model C, the numbers of the type approvals should be incorporated.

---