



**Economic and Social
Council**

Distr.
GENERAL

TRANS/WP.29/2005/35
7 April 2005

Original: ENGLISH

ECONOMIC COMMISSION FOR EUROPE

INLAND TRANSPORT COMMITTEE

World Forum for Harmonization of Vehicle Regulations (WP.29)
(One-hundred-and-thirty-sixth session, 21-24 June 2005,
agenda item 4.2.6.)

**DRAFT CORRIGENDUM 3 TO SUPPLEMENT 15 TO THE 04 SERIES OF AMENDMENTS
TO REGULATION No. 16**

(Safety-belts)

Transmitted by the Working Party on Passive Safety (GRSP)

Note: The text reproduced below was adopted by GRSP at its thirty-sixth session and is transmitted for consideration to WP.29 and AC.1 (TRANS/WP.29/GRSP/36, para. 15). It is based on document TRANS/WP.29/GRSP/2004/27, not amended and on informal document No. GRSP-36-6, not amended.

This document is a working document circulated for discussion and comments. The use of this document for other purposes is the entire responsibility of the user.

Documents are also available via the INTERNET:

<http://www.unece.org/trans/main/welcwp29.htm>

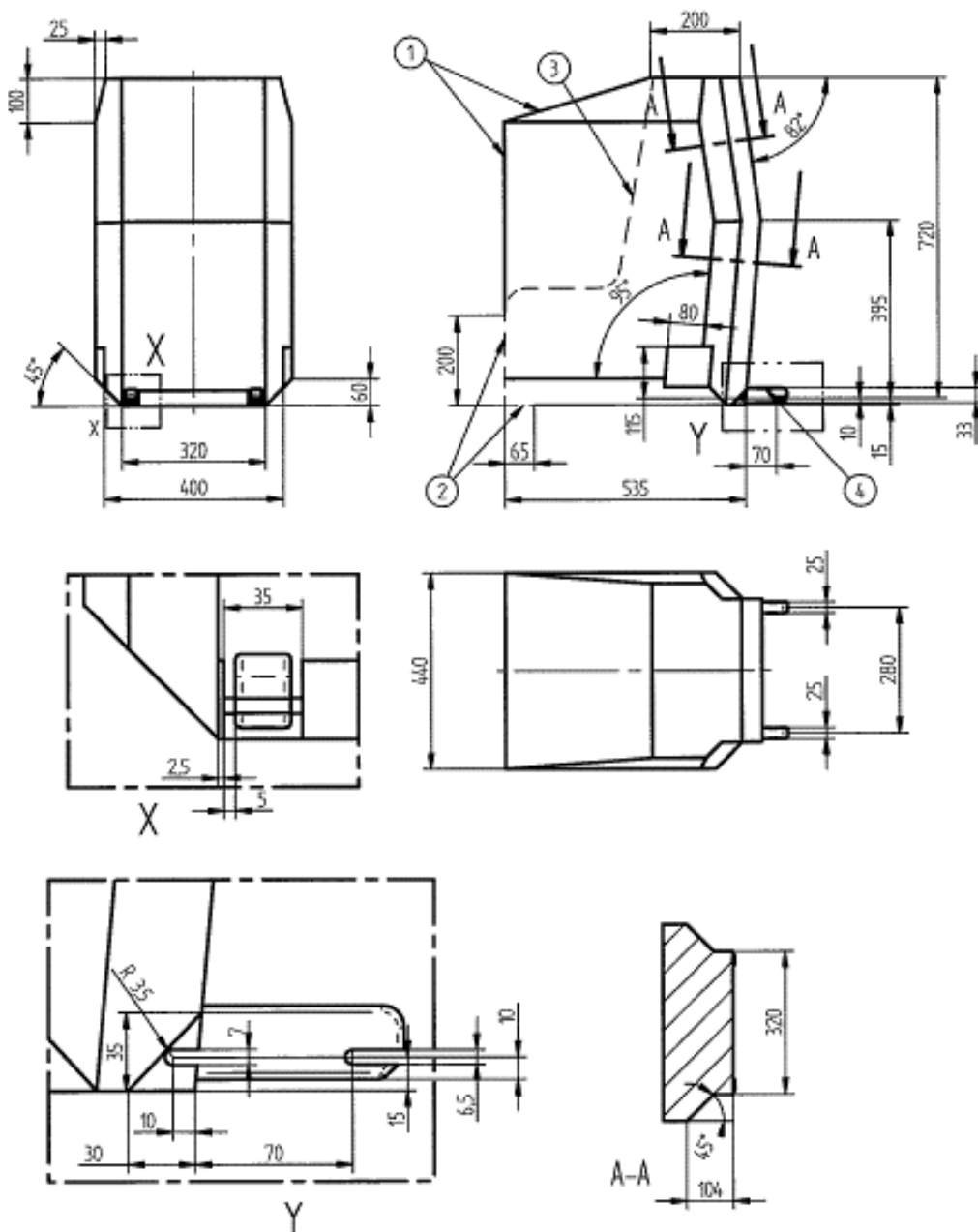
Paragraph 8.3.5., amend to read:

"...information requirements of Annex 17. Any vehicle of category M₁ must be equipped with ISOFIX positions, in accordance with the relevant prescriptions of Regulation No. 14.

The first ISOFIX position shall allow at least the installation of one out of the three forward-facing fixtures as defined in Appendix 2 of Annex 17; the equipped with ISOFIX positions, in accordance with the relevant second ISOFIX position shall allow at least the installation of one out of the three rear-facing fixtures as defined in Appendix 2 of Annex 17. For this second ISOFIX position, in case where the installation of the rear-facing fixture is not possible on the second row of seats of the vehicle due to its design, the installation of one out of the six fixtures is allowed in any position of the vehicle."

Annex 17 – Appendix 2, paragraphs 4.1. to 4.7., amend to read:

"4.1. Full-height forward-facing toddler child restraint systems envelope

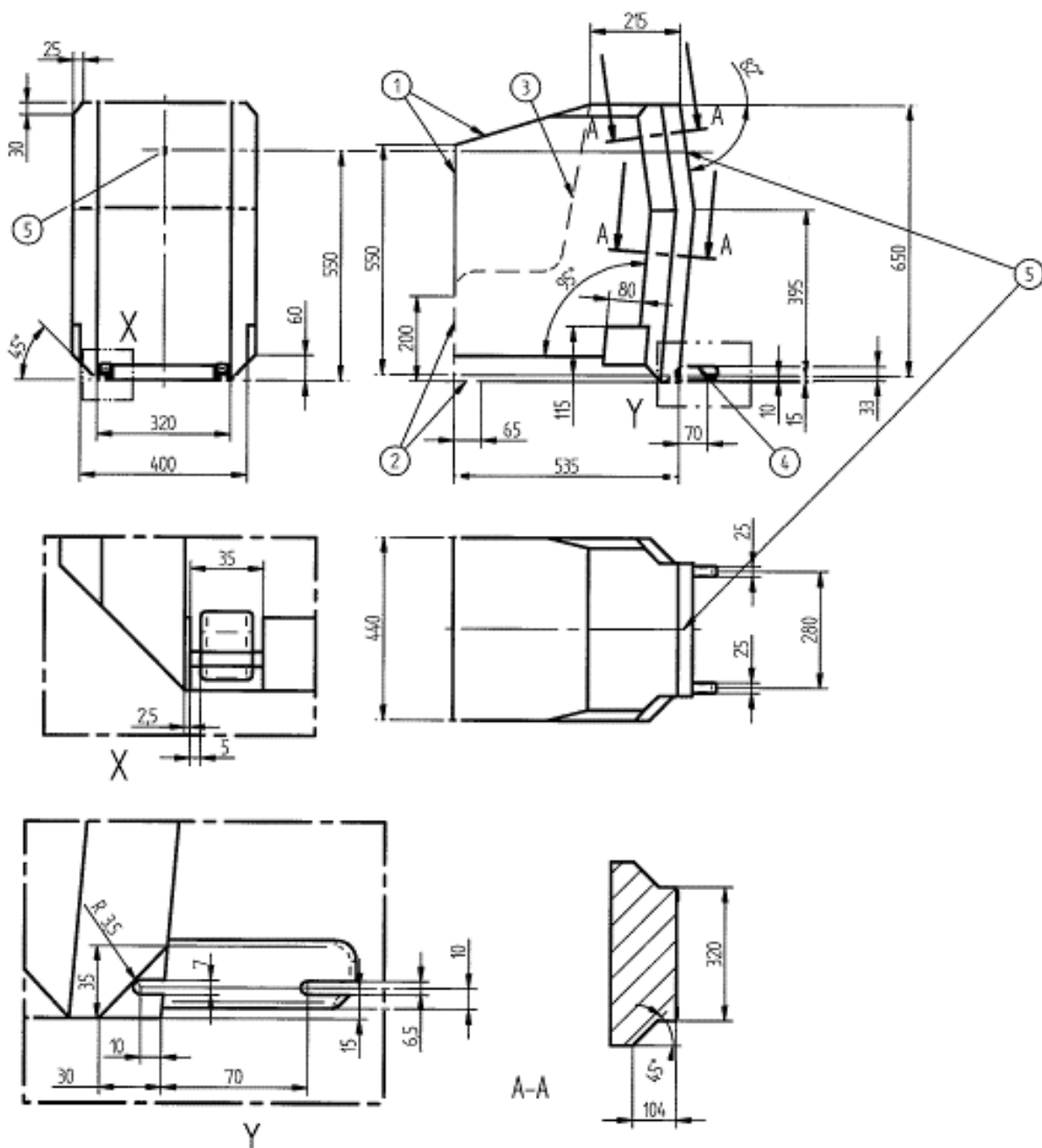


Key

- 1 Limits in the forward and upwards directions
- 2 Dashed line marks area where a support leg, or similar, is allowed to protrude
- 3 N/A
- 4 Further specifications of the connector area are given in Regulation No. 44

Figure 1 - ISO/F3 envelope dimensions for a full-height forward-facing toddler CRS (height 720 mm) ISOFIX SIZE CLASS A

4.2. Reduced-height forward-facing toddler child restraint systems envelope

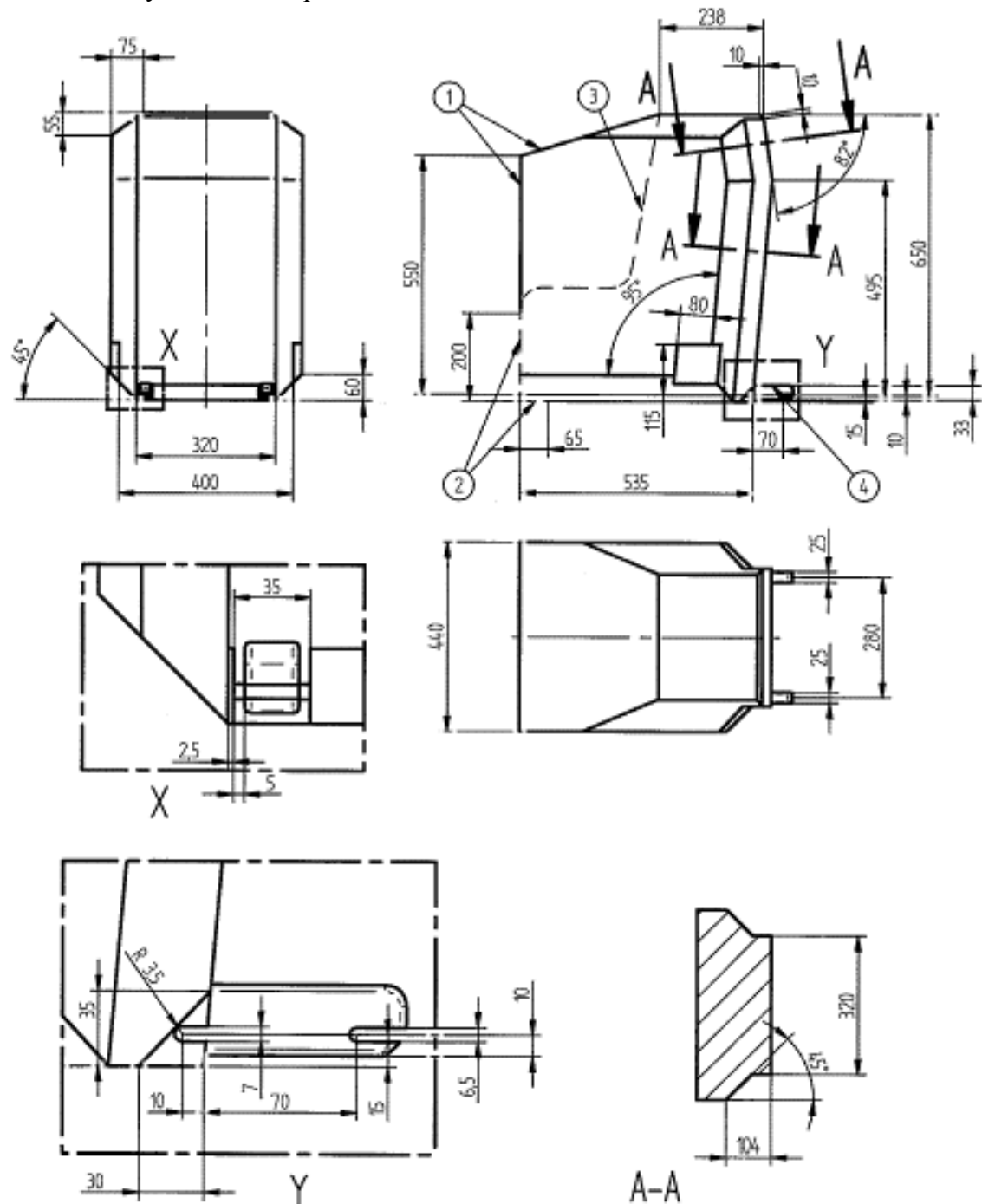


Key

- 1 Limits in the forward and upwards directions
- 2 Dashed line marks area where a support leg, or similar, is allowed to protrude
- 3 N/A
- 4 Further specifications of the connector area are given in Regulation No. 44
- 5 Attachment point for the top tether strap

Figure 2 – ISO/F2 envelope dimensions for a reduced-height forward-facing toddler CRS, (height 650 mm) – ISOFIX SIZE CLASS B

4.3. Reduced-height second version back shape forward-facing toddler child restraint systems envelope

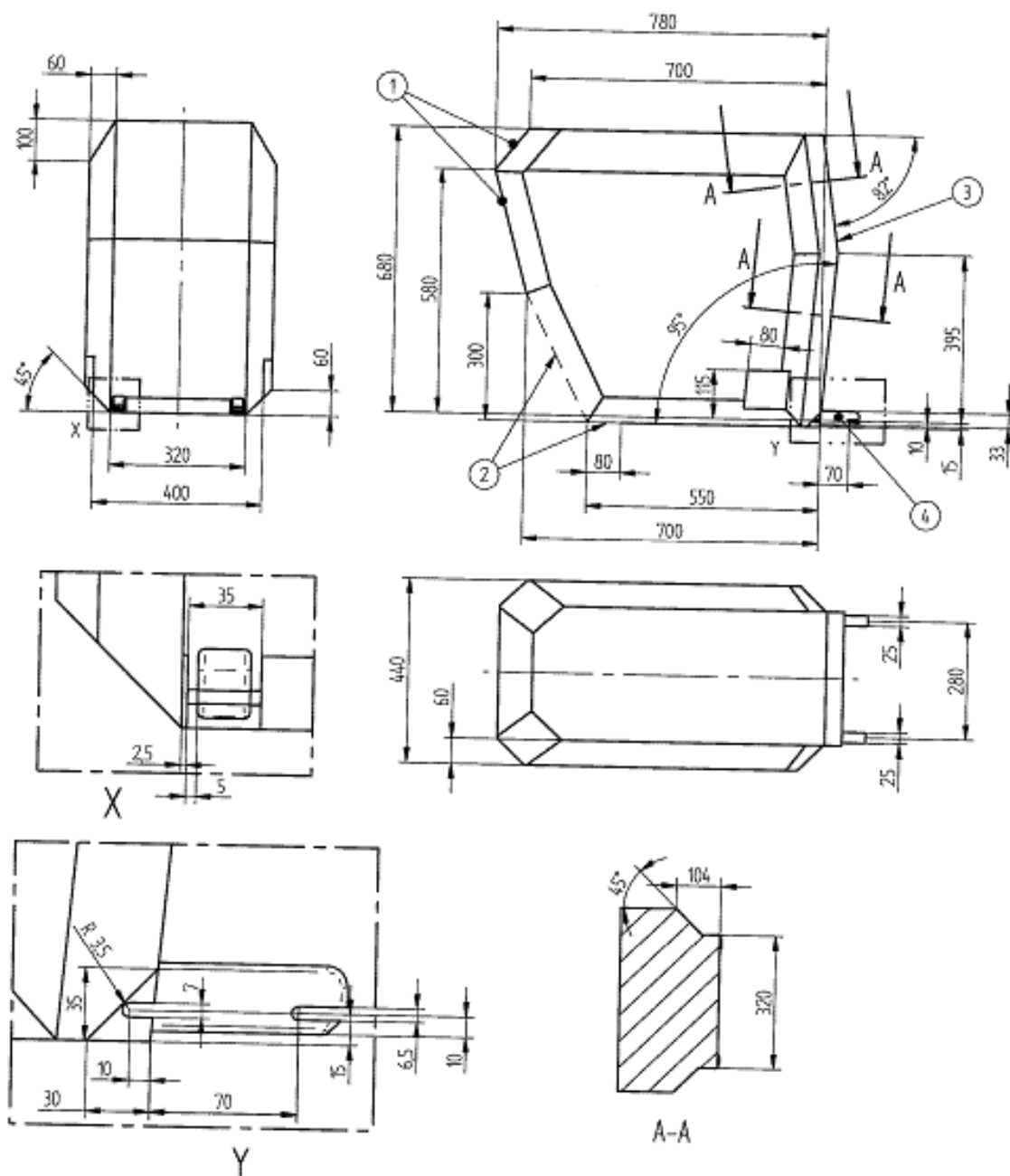


Key

- 1 Limits in the forward and upwards directions
- 2 Dashed line marks area where a support leg, or similar, is allowed to protrude
- 3 N/A
- 4 Further specifications of the connector area are given in Regulation No. 44

Figure 3 – ISO/F2X envelope dimensions for a reduced-height second version back surface shape forward-facing toddler CRS, (height 650 mm) – ISOFIX SIZE CLASS B1

4.4. Full-size rearward facing toddler child restraint system envelope

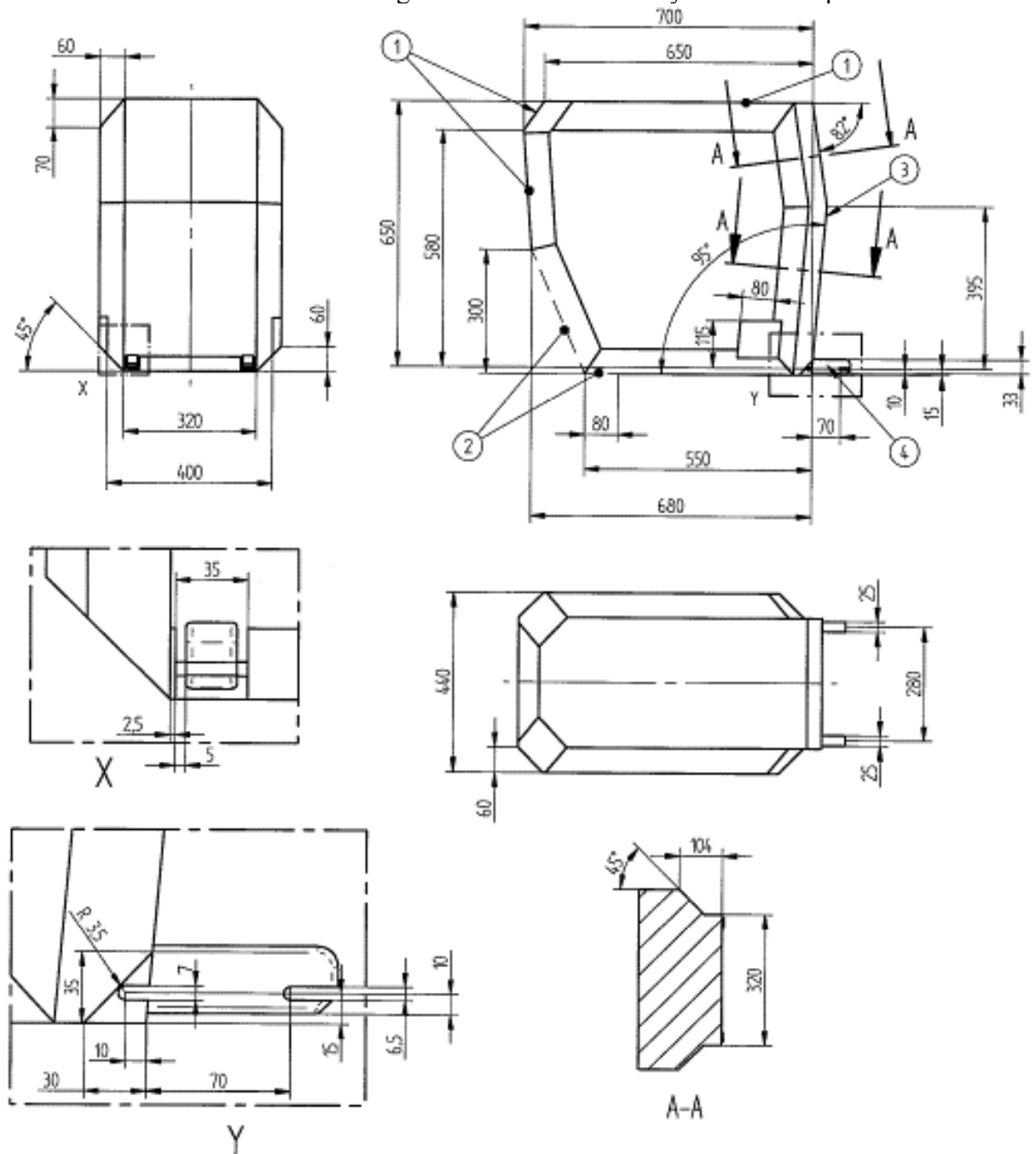


Key

- 1 Limits in the rearward and upwards directions
- 2 Dashed line marks area where a support leg, or similar, is allowed to protrude
- 3 The backwards limitation (to the right in the figure) is given by the forward-facing envelope in Figure 2
- 4 Further specifications of the connector area are given in Regulation No. 44

Figure 4 - ISO/R3 envelope dimensions for a full-size rearward-facing toddler CRS
ISOFIX SIZE CLASS C

4.5. Reduced-size rearward-facing toddler child restraint systems envelope

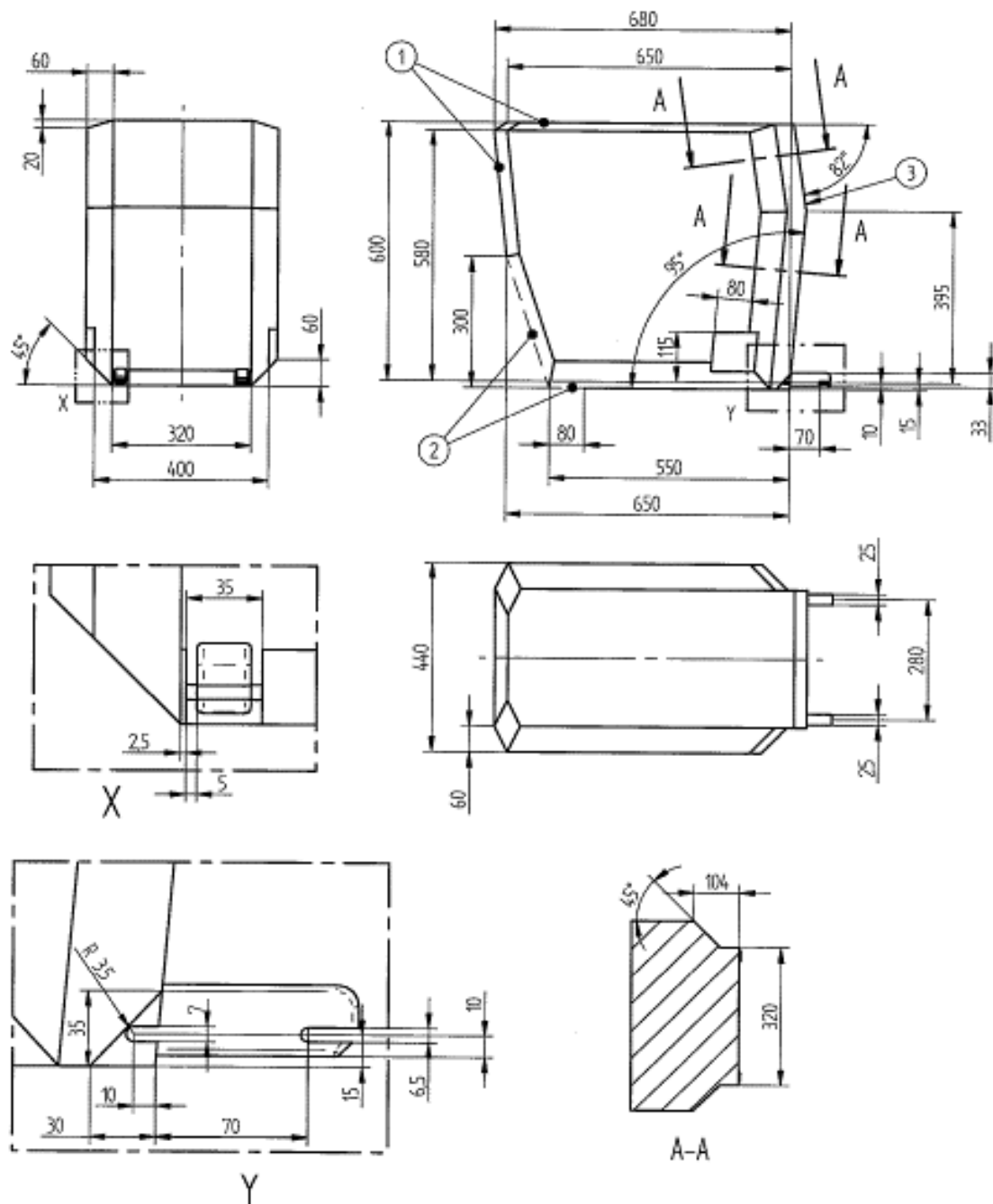


Key

- 1 Limits in the rearward and upwards directions
- 2 Dashed line marks area where a support leg, or similar, is allowed to protrude
- 3 The backwards limitation (to the right in the figure) is given by the forward-facing envelope in Figure 2
- 4 Further specifications of the connector area are given in Regulation No. 44

Figure 5 - ISO/R2 envelope dimensions for a reduced-size rearward-facing toddler CRS
ISOFIX SIZE CLASS D

4.6. Rearward facing infant child restraint systems envelope

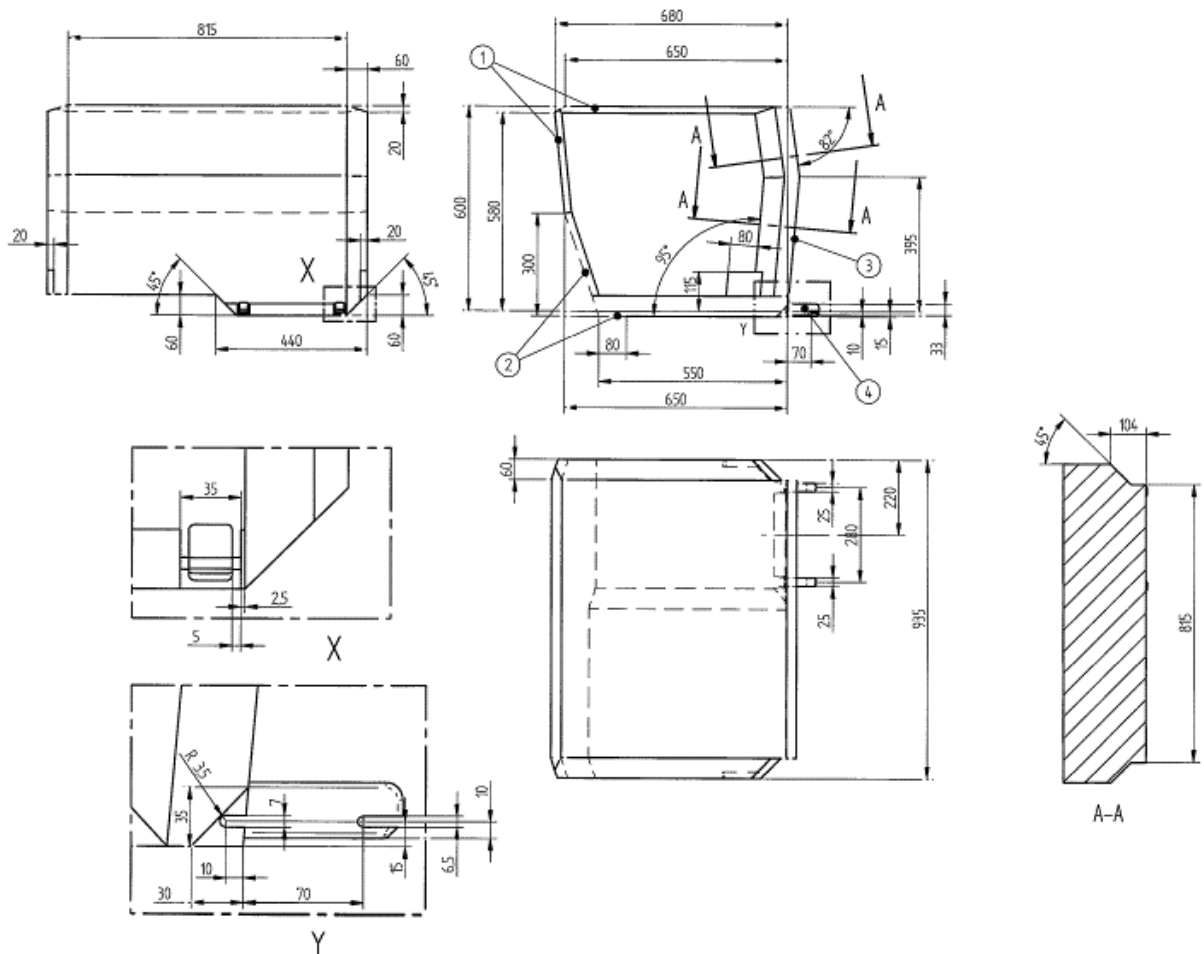


Key

- 1 Limits in the rearward and upward directions
- 2 Dashed line marks area where a support leg, or similar, is allowed to protrude
- 3 The backwards limitation (to the right in the figure) is given by the forward-facing envelope in Figure 2
- 4 Further specifications of the connector area are given in Regulation No. 44

Figure 6 – ISO/R1 envelope dimensions for an infant-size rearward-facing CRS ISOFIX SIZE CLASS E

4.7. Lateral facing child restraint systems envelope



Key

- 1 Limits in the rearward and upward directions
- 2 Dashed line marks area where a support leg, or similar, is allowed to protrude
- 3 The backward limitation (to the right in the figure) is given by the forward-facing envelope in Figure 2
- 4 Further specifications of the connector area are given in ISO 13216-1, Figures 2 and 3

Figure 7 – Envelope dimensions for lateral facing position CRS - ISO/L1- ISOFIX SIZE CLASS F or symmetrically opposite – ISO/L2 – ISOFIX CLASS G"
