

Proposal for amendments to ECE/TRANS/WP.29/GRE/2011/61 – Regulation No. 48 (Installation of lighting and light-signalling devices)

The text reproduced below was prepared by the expert from OICA to propose amendments to document ECE/TRANS/WP.29/GRE/2011/61 which concerns Regulation No. 48 in respect to exterior courtesy lamps.

The modifications in respect to document ECE/TRANS/WP.29/GRE/2011/61 to amend the provisions for exterior courtesy lamps are marked in bold for new or strikethrough for deleted characters.

I. Proposal

Paragraph 5.11.1.3., amend to read:

"5.11.1.3. when light signalling systems operates according to 6.2.7.6.2. **or 6.24.9.2.**

Paragraphs 6.24.2.:

6.24. Exterior courtesy lamp (Regulation No. 48)

6.24.2. Number

~~Two, however further exterior courtesy lamps to illuminate steps and/or door handles are permitted. Each door or step shall be illuminated by not more than one lamp.~~

No special requirement.

Paragraphs 6.24.9.3., amend to read:

6.24.9.3. The technical service shall, to the satisfaction of the authority responsible for type-approval, perform a visual test to verify that there is no direct visibility of the apparent surface of these lamps, if viewed by an observer moving on the boundary of a zone on a transverse plane 10 m from the front of the vehicle, a transverse plane 10 m from the rear of the vehicle, and two longitudinal planes 10 m from each side of the vehicle; these four planes to extend from 1 m to 3 m above and parallel to the ground as shown in Annex 13.

At the request of the applicant and with the consent of the Technical Service this requirement may be verified by a drawing or simulation.

or

after switching on according to paragraph 6.24.9.1., the courtesy lamps shall switch off automatically after a time not exceeding [1 minute]."

II. Justification

1. This document from the expert from OICA proposes amendments to document ECE/TRANS/WP.29/GRE/2011/61 from the Chairman of the task force on "courtesy lamps".

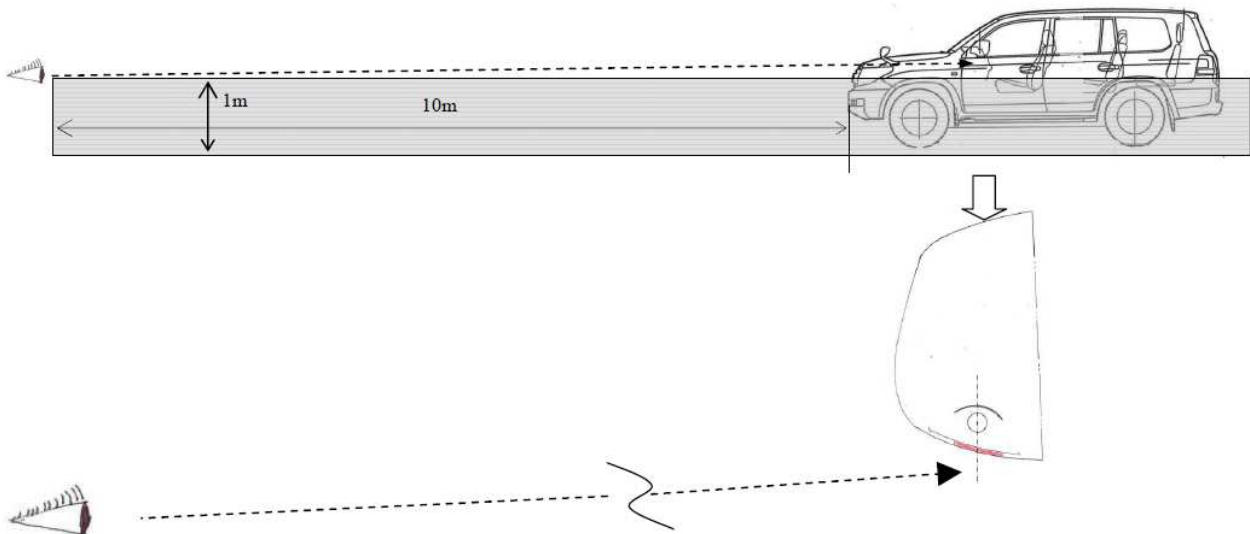
2. Paragraph 5.11.1.3. should be amended to legalise paragraph 6.24.9.2..

3. The new paragraph to limit the number of exterior courtesy lamps should be deleted and remains unchanged. The proposal ECE/TRANS/WP.29/GRE/2011/61 does not cover already existing solutions on the market which are approved and do not cause any problem or complaint. If GRE cannot accept "no special requirement" the experts from OICA are prepared to offer further alternative wording to solve the problem:

Alternative 1: No special requirement, however illumination of steps and/or door handles shall be by not more than one lamp each.

Alternative 2: Maximum number: four, however further exterior courtesy lamps to illuminate steps and/or door handles are permitted. Each door or step shall be illuminated by not more than one lamp.

4. The alternative of a maximum activation time is introduced to allow the mounting of exterior courtesy lamps e.g. on the housing of outside mirrors on SUVs or to illuminate steps on commercial vehicles. The requirement in paragraph 6.24.9.3. (Annex 13) is too strict for exterior courtesy lamps installed on outer mirrors of SUVs. (pl. see the drawing below) If the apparent surface is sunk in, it will affect aerodynamic performance and cause wind noise.



The activation criteria and the limited activation time exclude misuse which could have a negative impact on other road users.

The design of the lamps illuminating the steps on trucks often makes it impossible to fulfil this new requirement. On the other hand these lamps improve the safety of passengers and especially of truck drivers who have to enter and leave the vehicle on ladders with several stairs.