



Economic and Social Council

Distr.: General
1 July 2011

Original: English
English and French only

Economic Commission for Europe

Inland Transport Committee

World Forum for Harmonization of Vehicle Regulations

Working Party on Brakes and Running Gear

Seventy-first session

Geneva, 13–15 September 2011

Item 3(d) of the provisional agenda

Regulations Nos. 13 and 13-H (Braking) - Clarifications

Proposal for amendments to Regulation No. 13 (Heavy vehicle braking)

Submitted by the experts from the European Association of Automotive Suppliers *

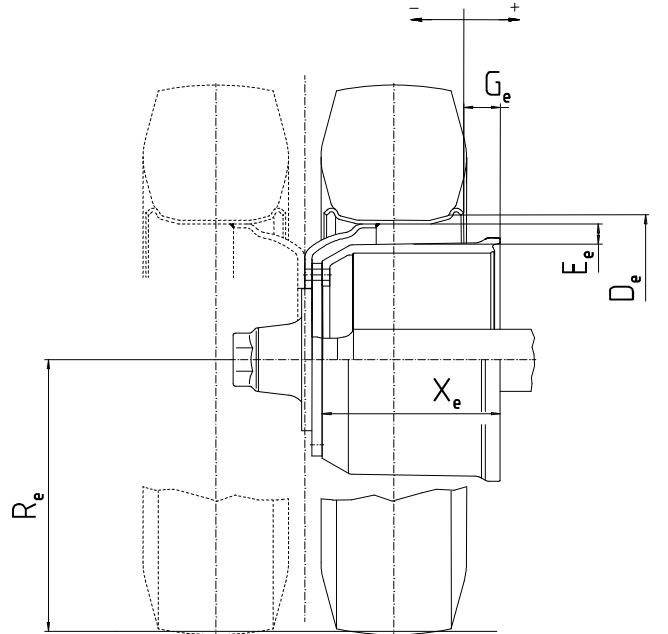
The text reproduced below was prepared by the experts from the European Association of Automotive Suppliers (CLEPA) to correct figure 1A in Appendix 5 to Annex 11.

* In accordance with the programme of work of the Inland Transport Committee for 2010–2014 (ECE/TRANS/208, para. 106 and ECE/TRANS/2010/8, programme activity 02.4), the World Forum will develop, harmonize and update Regulations in order to enhance the performance of vehicles. The present document is submitted in conformity with that mandate.

I. Proposal

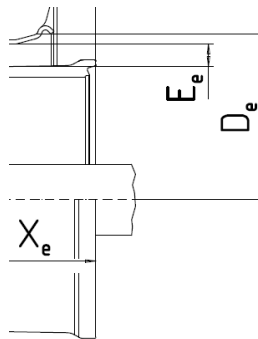
Annex 11, Appendix 5, Figure 1A, amend to read:

"FIGURE 1A



II. Justification

1. To be in line with Figure 1B and with the letter D as a diameter it is proposed to correct the drawing.
2. The current Figure 1A incorrectly shows D as the radius of the wheel:



In moving the Figures 1A, 1B, 2A and 2B from Appendix 3 to Appendix 5 as part of Supplement 2 to the 11 Series of Amendments, the dimension D_e in Figure 1A was changed from a diameter to a radius.