



## Economic and Social Council

Distr.: General  
14 August 2014

Original: English

---

### Economic Commission for Europe

#### Inland Transport Committee

#### World Forum for Harmonization of Vehicle Regulations

##### 164<sup>th</sup> session

Geneva, 11-14 November 2014

Item 4.6.1 of the provisional agenda

**1958 Agreement – Consideration of draft amendments  
to existing Regulations submitted by GRE**

### **Proposal for Supplement 18 to Regulation No. 4 (Rear registration plate lamps)**

#### **Submitted by the Working Party on Lighting and Light-Signalling\***

The text reproduced below was adopted by the Working Party on Lighting and Light-Signalling (GRE) at its seventy-first session (ECE/TRANS/WP.29/GRE/71, para. 55). It is based on ECE/TRANS/WP.29/GRE/2014/12, not amended. It is submitted to the World Forum for Harmonization of Vehicle Regulations (WP.29) and to the Administrative Committee AC.1 for consideration.

---

\* In accordance with the programme of work of the Inland Transport Committee for 2012–2016 (ECE/TRANS/224, para. 94 and ECE/TRANS/2012/12, programme activity 02.4), the World Forum will develop, harmonize and update Regulations in order to enhance the performance of vehicles. The present document is submitted in conformity with that mandate.

*Paragraph 1.1.*, amend to read:

- "1.1. "Rear registration plate lamp" means the device for the illumination of rear registration plates, hereinafter called "illuminating device", which illuminates the rear registration plate by reflection. For the approval of this device, the illumination of the space to be occupied by the plate is determined. The illuminated areas are grouped into the following categories:"

*Insert new paragraphs 1.1.1. to 1.1.5.*, to read:

- "1.1.1. Category 1a: illuminated area for use on a vehicle mounted a registration plate, the size of which is 340 x 240 mm or less (tall plate).
- 1.1.2. Category 1b: illuminated area for use on a vehicle mounted a registration plate, the size of which is 520 x 120 mm or less (wide plate).
- 1.1.3. Category 1c: illuminated area for use on a vehicle mounted a registration plate, the size of which is 255 x 165 mm or less (plate for agricultural or forestry tractors).
- 1.1.4. Category 2a: illuminated area for use on a vehicle mounted a registration plate, the size of which is 330 x 165 mm or less.
- 1.1.5. Category 2b: illuminated area for use on a vehicle mounted a registration plate, the size of which is 440 x 220 mm or less."

*Paragraph 2.*, amend to read:

- "2. Application for approval
- The application for approval shall be submitted by the holder of the trade name or mark or by his duly accredited representative. It shall specify whether the device is intended to illuminate the area, category 1a, 1b, 1c, 2a, 2b, or any combination of those areas according to 1.1.1. -5. At the choice of the applicant, ..."

*Annex 2, item 9*, amend to read:

- "9. Concise description: <sup>3</sup>
- Device for illuminating:
- Category 1a, 1b, 1c, 2a, 2b <sup>2</sup>
- ..."

*Annex 3*, amend to read:

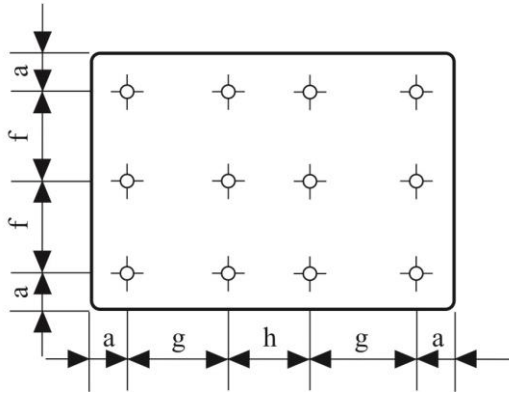
## "Annex 3

### Measurement points for test purposes

Category 1a (340 x 240 mm)

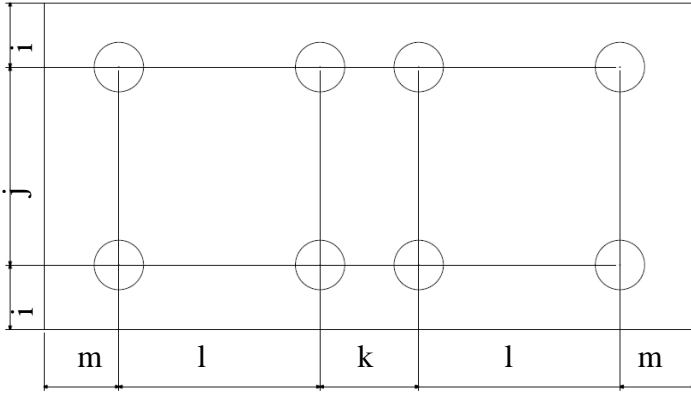
Category 1b (520 x 120 mm)

Category 1c (255 x 165 mm)



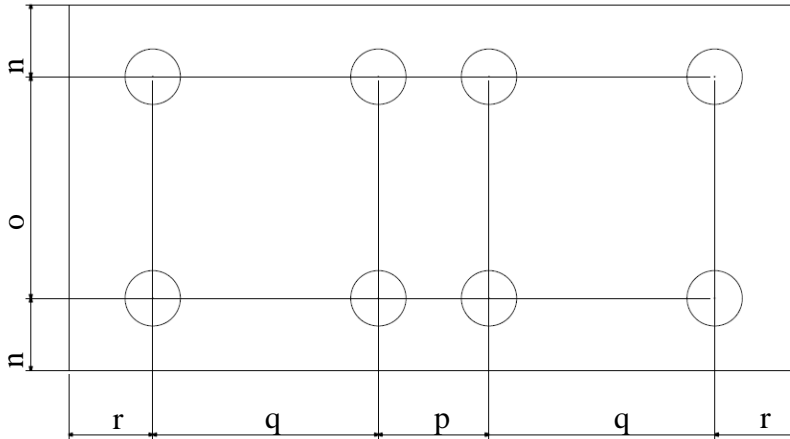
a = 25 mm                      b = 95 mm              c = 100 mm              d = 90 mm  
e = 70 mm                      f = 57.5 mm              g = 70 mm              h = 65 mm

Category 2a (330 x 165 mm)



i = 32.5 mm  
j = 100 mm  
k = 50 mm  
l = 100 mm  
m = 40 mm

Category 2b (440 x 220 mm)



$n = 50 \text{ mm}$

$o = 120 \text{ mm}$

$p = 50 \text{ mm}$

$q = 145 \text{ mm}$

$r = 50 \text{ mm}$

