

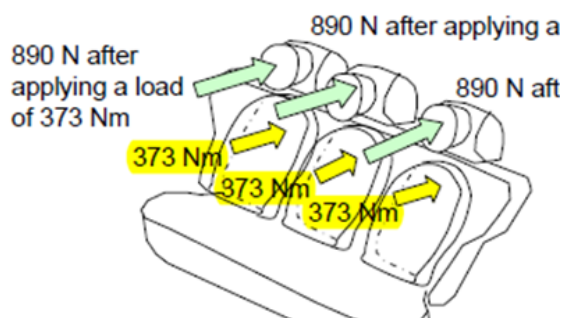
Regulation No. 17 strength of seats. Request for clarification

CLEPA has detected that contracting parties realize the head restraint performance test of 6.4. in a certain seat configuration in different ways and would like to get a clarification which way to test shall be used.

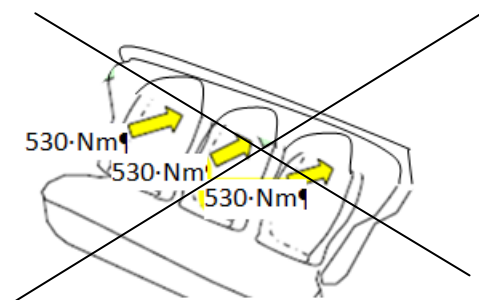
Test scenario used for 3-seater with 3 head restraints.

The head restraint performance test of 6.4. is conducted simultaneously on all 3 seating positions. When the head restraint performance test is OK, the seat back strength test of 6.2. does not need to be performed.

This principle is described in 5.2.7.In the case of seats provided with head restraints, the strength of the seatback and of its locking devices is deemed to meet the requirements set out in paragraph 6.2. when, after testing in accordance with paragraph 6.4.3.6 below., no breakage of the seat or seat-back has occurred: otherwise, it shall be shown that the seat is capable of meeting the test requirements set out in paragraph 6.2. below.



Test described in 6.4



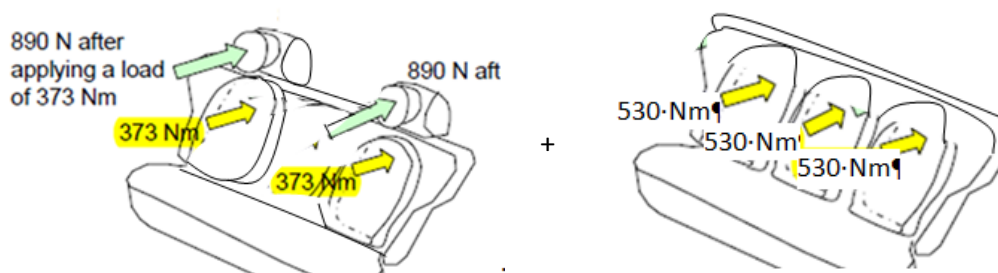
Test described in 6.2., not needed if 6.4 has been fulfilled.

Following test scenario needs clarification :

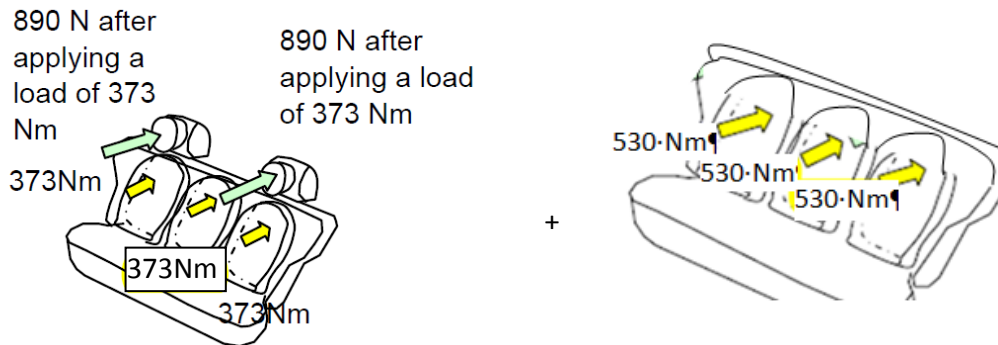
Test scenario used for 3-seater with 2 outboard head restraints.

3 different ways to test this type of seat have been detected by CLEPA.

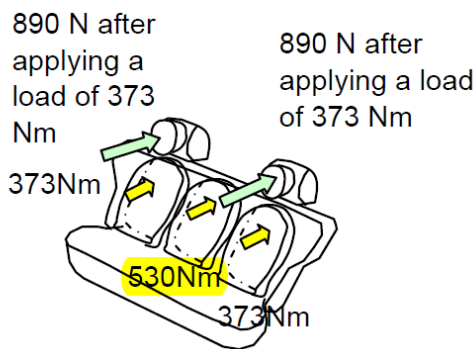
- A. The head restraint performance test of 6.4. is conducted simultaneously on the 2 outboard seating positions and no load is added in the center seat. In addition the seat back strength test of 6.2. is performed simultaneously in all 3 seating positions.



B. The head restraint performance test of 6.4. is conducted on the 2 outboard seating positions and a load of 373Nm is added in the center seating position. In addition the seat back strength test of 6.2. is performed simultaneously in all 3 seating positions.



C. The head restraint performance test of 6.4. is conducted on the 2 outboard seating positions and a load of 530Nm is added in the center seating position. The seat back strength test of 6.2. is not anymore requested.



Due to different test scenario used, Clepa wishes that GRSP clarifies which version or versions A,B,C shall be used and if more than 1 version is allowed that the version used shall be at the request of the manufacturer.
