

Submitted by TF EMC

Informal document **GRE-76-18**
(76th GRE, 24-28 October 2016,
agenda item 7(c))

**Task Force
on Electro-magnetic Compatibility
(TF EMC)**

Status report of TF to GRE-76
Tuesday, 25 October 2016

TF EMC Status Report

- TF EMC had its 3rd meeting on Monday, 24th October 2016.
- Document available on the UNECE TF workspace.
- TF EMC will report on:
 - Current development of R10.05 (proposals from China and further modifications)
 - Drafting roadmap for the new supplement to R10.05
 - Clarifications of Transitional Provisions of R10.05
 - Future development of R10 based on OICA ideas

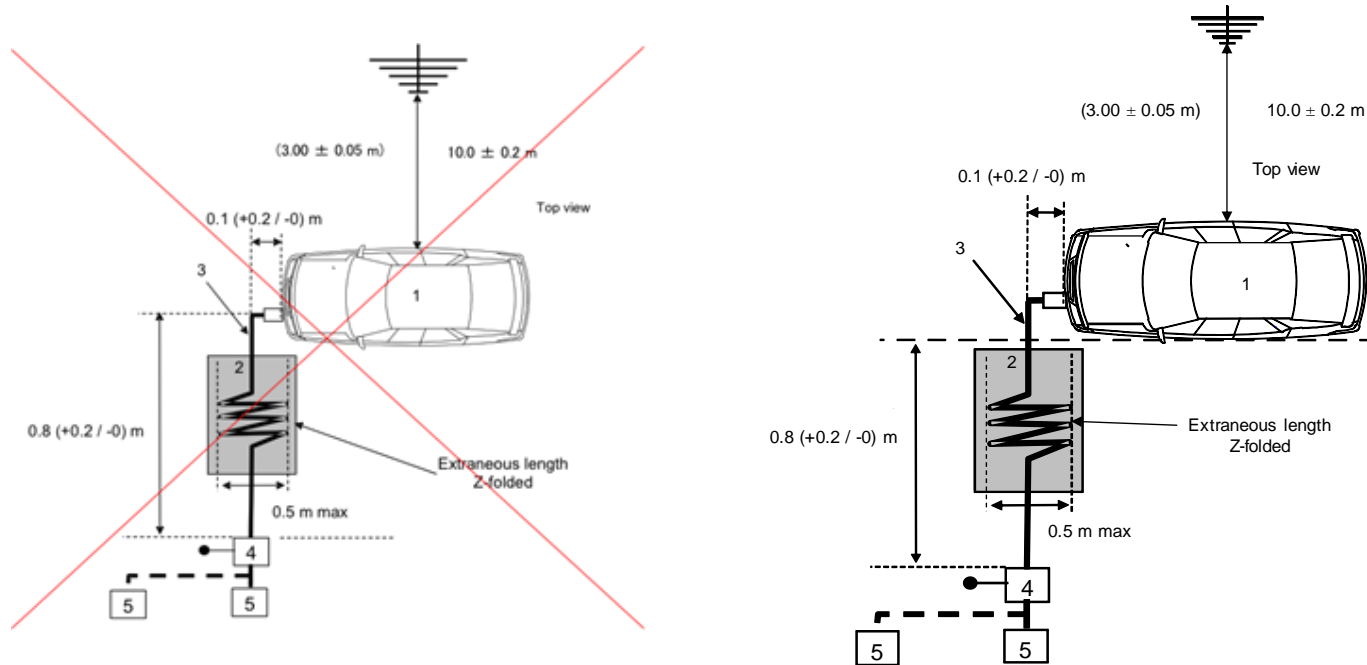
TF EMC Status Report – R10.05 Current Development (Proposals from China)

- TF EMC has reviewed the proposals from China (GRE/2015/35) and have sent comments to the Chinese delegate.
- China answered back to TF EMC with positive comments and agreed changes.
- TF EMC 3rd meeting: Spain raised one question on one remaining technical item which has to be discussed within OICA.
- All other modifications were agreed and included in the next draft Supplement of R10.05.

TF EMC Status Report – R10.05 Development Details (Other Modifications)

Focus of the work on the current version of the R10:

- Correction of technical and editorial errors on **figures of test-setups** of RESS charging (consistency with last ISO and CISPR figures):



TF EMC Status Report – R10.05 Development Details (Other Modifications)

Focus of the work on the current version of R10:

- Clarification of the possible usage of **Open Test Sites** and **Open Area Test sites** (e.g. no use of OTS for ESA tests).
- Harmonization of the wording for semi-anechoic chambers : “**absorber lined shielded enclosure (ALSE)**”.
- Clarification for ESA in charging mode bench test between “**table-standing**” and “**floor-standing**” set-up.
- Detailed description of the test-setup of RESS testing.
- Aligning the figures and descriptions of **Open Test Sites** with **CISPR 12**.
- Implementation of **some further changes proposed by China** and discussed internally at OICA.

TF EMC Status Report – Drafting Roadmap

- Preparation of a **new Supplement to R10.05** (no major technical changes).
- Distribution of the current draft (under finalization) to TF EMC in the course of November 2016.
- Review of the document and further discussion within TF EMC until beginning of March.
- Propose **an informal document for GRE-77** (4-7 April 2017), as draft Supplement 2 to R10.05.
- Adoption of the working document at GRE-78 in October 2017.

TF EMC Status Report – Clarifications of TPs

- TF EMC has reviewed the EC request concerning Transitional Provisions of R10.05 (TF-EMC-03-04).
- TF EMC discussed at its 3rd meeting and came up with a conclusion which will be transferred to the representative of EC.

TF EMC Status Report – Future Development of R10 (OICA ideas)

- Several technical topics for the further development of R10 were discussed within OICA.
- OICA agrees that the creation of a technology roadmap could be useful to identify future trends and to draft consequently an R10.06 proposal.
- In 2017, **such roadmap will be prepared by OICA and supplied to TF EMC** for further discussions and opinions.