

UN/CEFACT

UN Centre for Trade Facilitation and Electronic Business



Lance THOMPSON

Chief, UN/CEFACT Support Unit

lance.thompson@unece.org

Evgeniya IAFAEV

Project Lead, eCMR project

evgeniya.iafaev@iru.org

UN/CEFACT Mission

Objectives

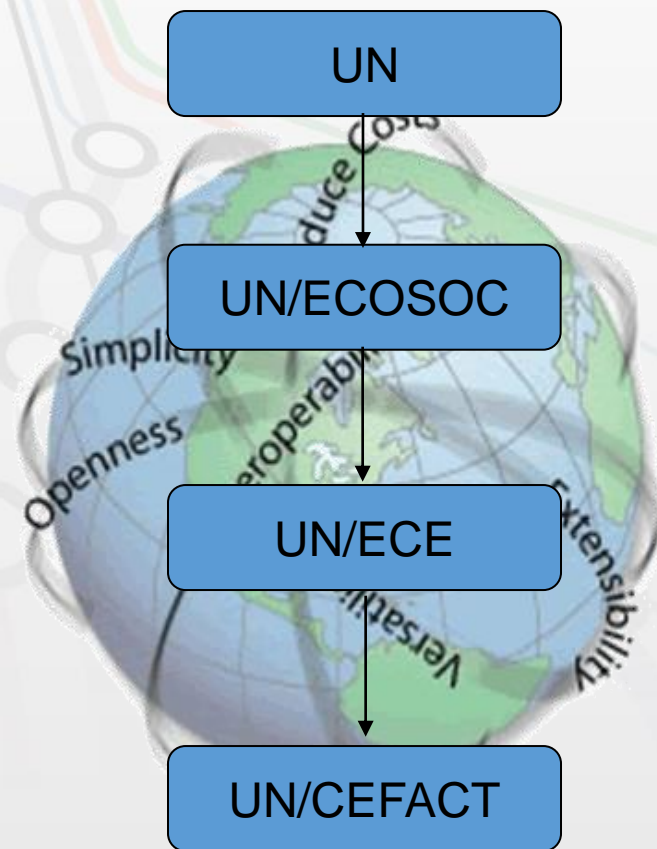
- Simple, transparent and effective processes for global business
- Efficient and automated exchange of information

Outputs

- Global Trade Facilitation and Electronic Business Recommendations and Standards

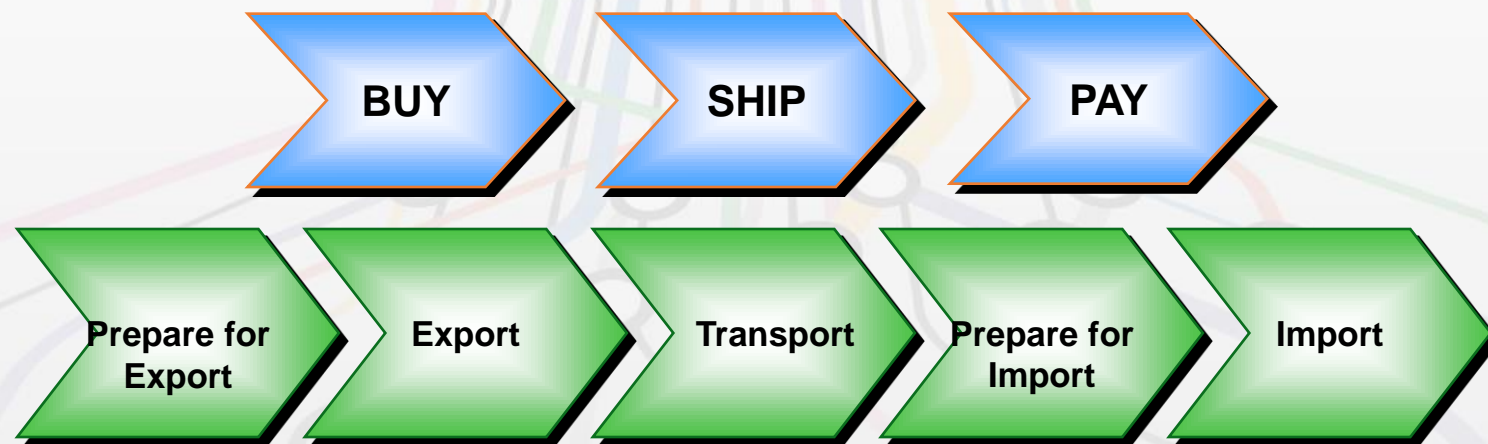
Means

- Public Private Sector Partnership – over 300 experts from government and business
- Meet virtually every week plus two Forums per year



Global Remit

Buy – Ship – Pay (BSP) Model



INVOLVES

Commercial Procedures

- Establish Contract
- Order Goods
- Advise On Delivery
- Request Payment
- Packing
- Inspection
- Certification
- Accreditation
- Warehousing



Transport Procedures

- Establish Transport Contract
- Collect, Transport and Deliver Goods
- Provide Waybills, Goods Receipts Status reports etc.



Regulatory Procedures

- Obtain Import/Export Licences etc
- Provide Customs Declarations
- Provide Cargo Declaration
- Apply Trade Security Procedures
- Clear Goods for Export/Import



Financial Procedures

- Provide Credit Rating
- Provide Insurance
- Provide Finance
- Execute Payment
- Issue Statements



UN/CEFACT & Trade Facilitation

TRADE FACILITATION

Simplification

Process of eliminating all unnecessary elements and duplications in formalities, processes and procedures

Harmonization

Alignment of national procedures, operations and documents with international conventions, standards and practices

Standardization

Process of developing internationally agreed formats for practices and procedures, documents and information

UN/CEFACT Key Deliverables

- Over 30 Trade Facilitation Recommendations
 - Recommendation 1 – UN Layout Key for Trade Documents
 - Recommendation 4 – National Trade Facilitation Bodies
 - Recommendation 33 – Single Window
- Code List Recommendations
 - Recommendation 16 – UN/LOCODE
 - Recommendation 21 – Package Codes
 - Recommendation 28 – Means of Transport
- International Standards
 - UN/EDIFACT (directories, code lists, etc.)
 - Supply Chain Reference Data Model
 - Business Requirement Specifications

<http://tfig.unece.org/>

TRADE FACILITATION IMPLEMENTATION GUIDE

[Home](#)[Domains](#)[Suggested Itineraries](#)[Instruments](#)[Organizations](#)[Contact](#)

Welcome to the
Trade Facilitation Implementation Guide

[Domains](#)[Itineraries](#)[Instruments](#)[Organizations](#)

Trade Facilitation
Implementation Guide



UN/CEFACT e-CMR Project

Evgeniya IAFAEV
Project Leader

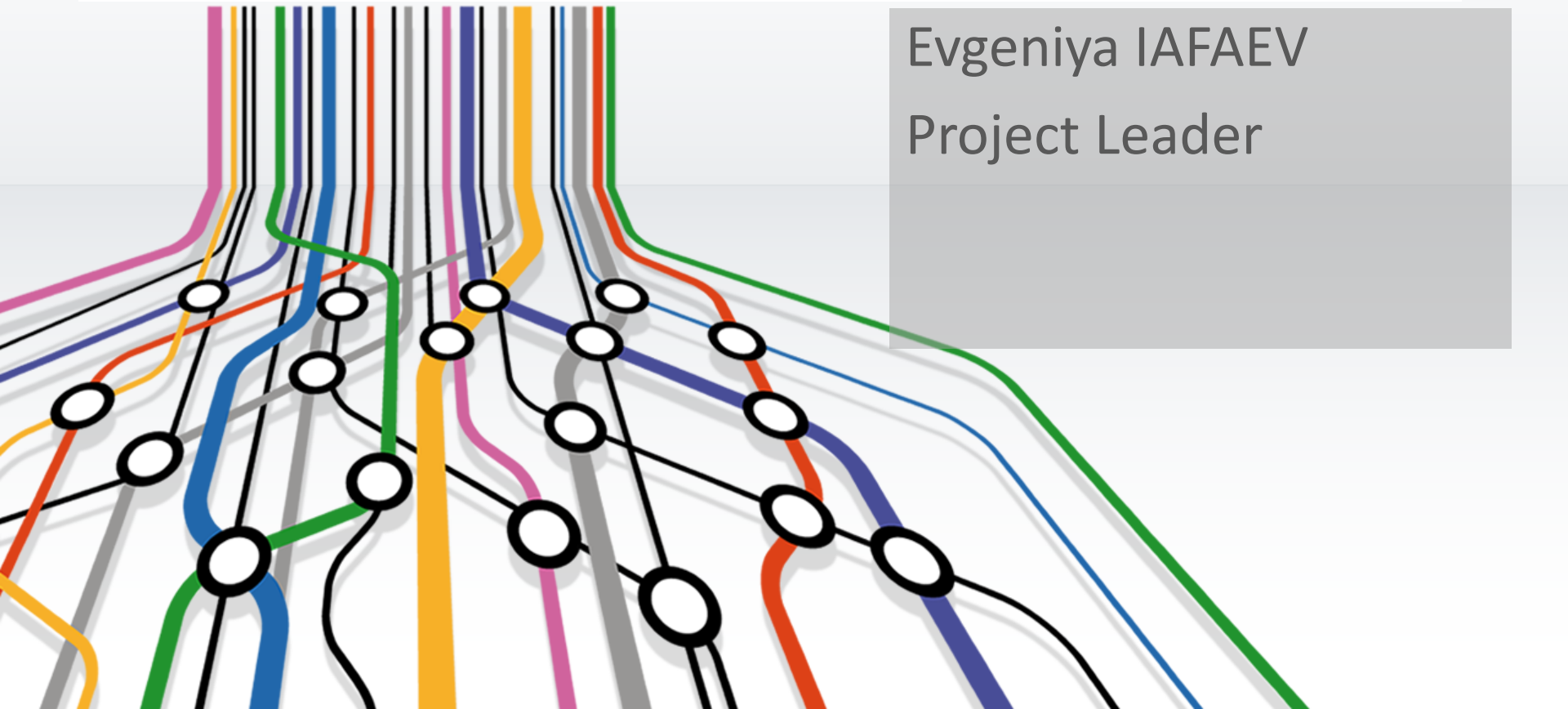


Table of contents

- UN/CEFACT e-CMR project and its deliverables
- Project status
- e-CMR project focus
- e-CMR model (work in progress)

Challenge: Interoperability of e-CMR solutions

CMR Convention

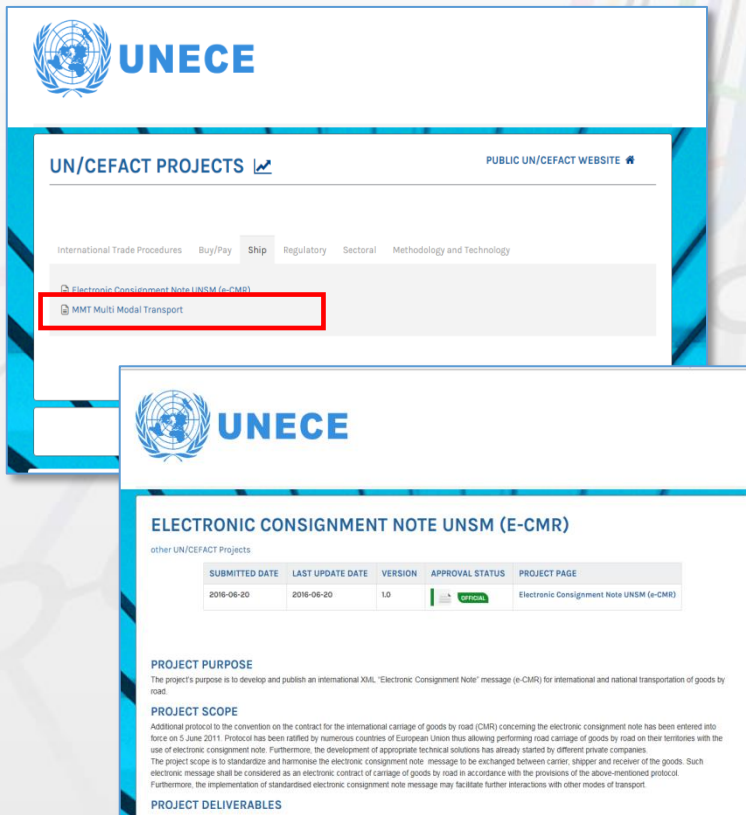
- Content of CMR
 - Date and time
 - Name and address of carrier, sender, consignee
 - The description of nature of goods, method of packing ...
 - Number of packages
 - Charges related to carriage
 - etc.

e-CMR Additional Protocol

- Set requirements for e-CMR. Parties shall agree on:
 - The method for issuance and delivery of e-CMR
 - An assurance that e-CMR retains its integrity
 - The manner in which the party entitled to the rights arising out of e-CMR is able to demonstrate that entitlement
 - etc.

First step: identify a list of vital messages for e-CMR, provide appropriate message model

UN/CEFACT e-CMR project deliverables



UNECE

UN/CEFACT PROJECTS PUBLIC UN/CEFACT WEBSITE

International Trade Procedures Buy/Pay Ship Regulatory Sectoral Methodology and Technology

Electronic Consignment Note UNSM (e-CMR)

MMT Multi Modal Transport

UNECE

ELECTRONIC CONSIGNMENT NOTE UNSM (E-CMR)

other UN/CEFACT Projects

| SUBMITTED DATE | LAST UPDATE DATE | VERSION | APPROVAL STATUS | PROJECT PAGE |
|----------------|------------------|---------|---|--|
| 2016-06-20 | 2016-06-20 | 1.0 | ✔ version | Electronic Consignment Note UNSM (e-CMR) |

PROJECT PURPOSE
The project's purpose is to develop and publish an international XML "Electronic Consignment Note" message (e-CMR) for international and national transportation of goods by road.

PROJECT SCOPE
Additional protocol to the convention on the contract for the international carriage of goods by road (CMR) concerning the electronic consignment note has been entered into force on 5 June 2011. Protocol has been ratified by numerous countries of European Union thus allowing performing road carriage of goods by road on their territories with the use of electronic consignment note. Furthermore, the development of appropriate technical solutions has already started by different private companies. The project scope is to standardize and harmonise the electronic consignment note message to be exchanged between carrier, shipper and receiver of the goods. Such electronic message shall be considered as an electronic contract of carriage of goods by road in accordance with the provisions of the above-mentioned protocol. Furthermore, the implementation of standardised electronic consignment note message may facilitate further interactions with other modes of transport.

PROJECT DELIVERABLES

e-CMR project deliverables:

- Business Requirements Specification (BRS) for Electronic Road Consignment Note (e-CMR) based on the high-level MMT BRS
- Subset exchange syntax-neutral message structures for e-CMR
- XML schemas of the e-CMR messages
- Mapping to the relevant existing UN/EDIFACT UNSM (IFTMIN)

e-CMR project supported by:    

Project Team:

- Project leader: Evgeniya Iafaev,
- Lead Editor: Rudy Hemeleers
- Editor: Bérengère Coupet Maisonnave
- Experts:
 - Thierry Grumiaux
 - Gianguglielmo Calvi
 - Sue Probert
 plus others

Current Project Status

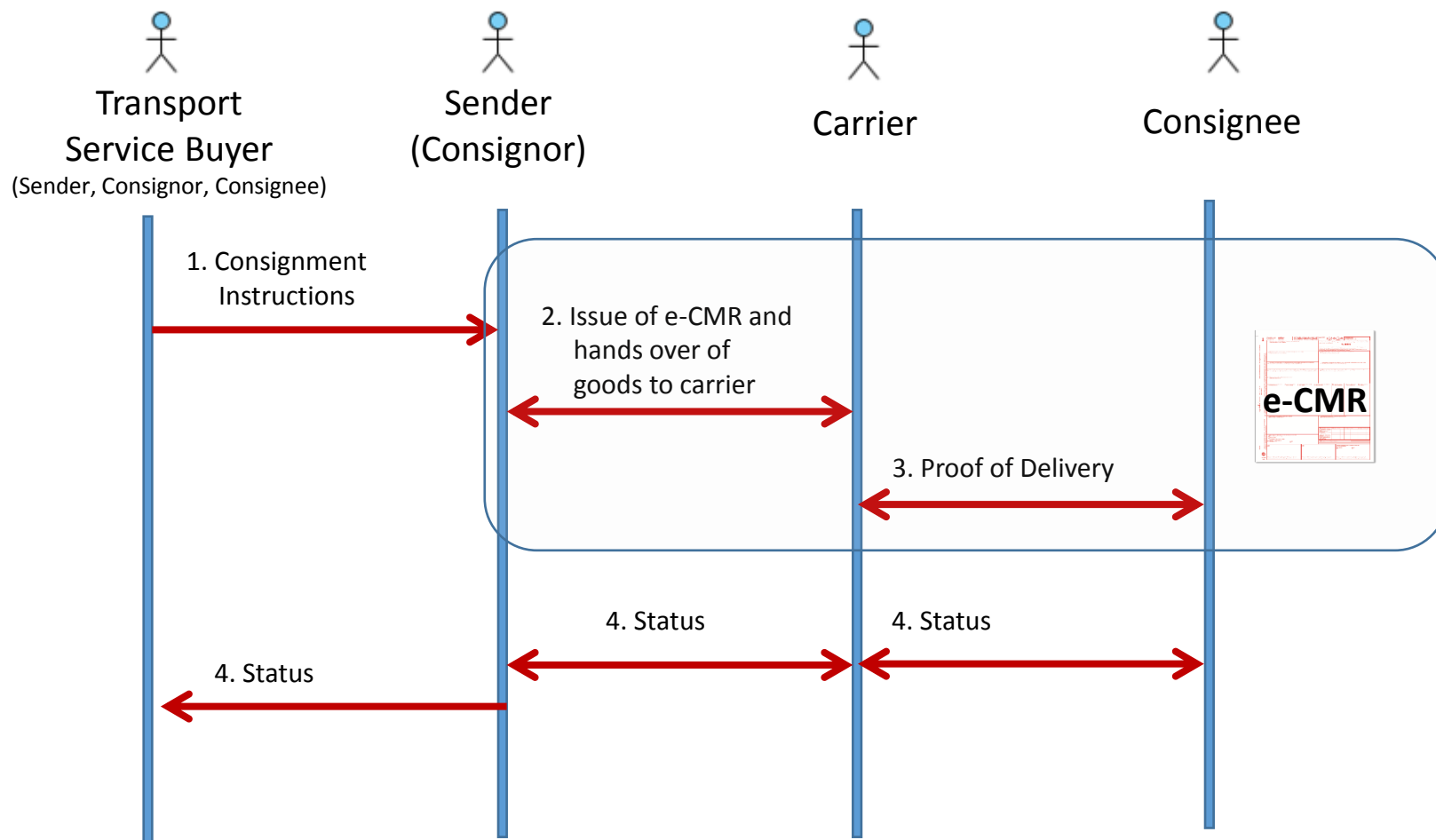
- Draft e-CMR message model – work in progress

Goal: Public Review launch by October 2017

- Business Requirements Specification
public review completed

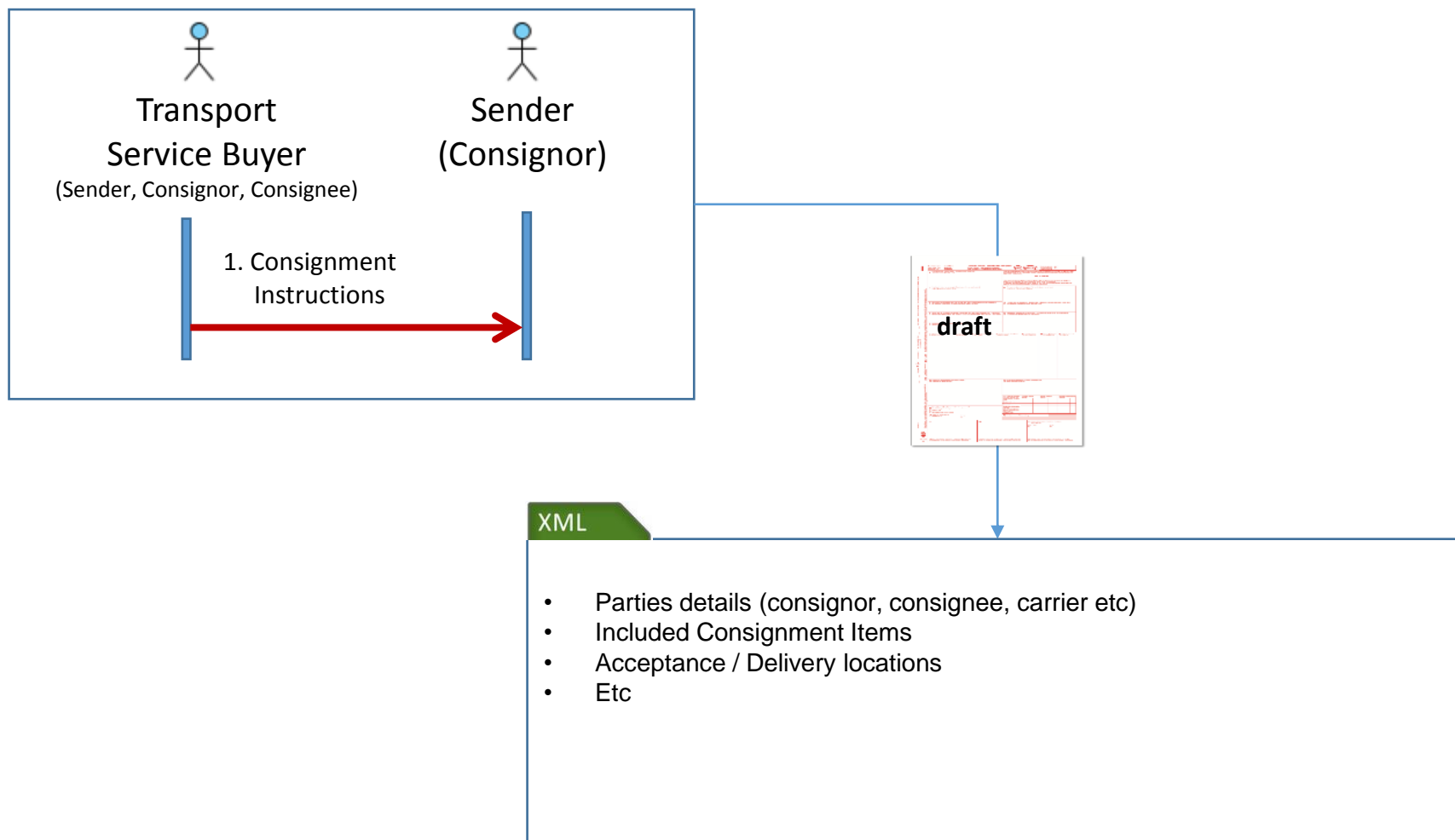
Results of the Public Review are under revision

UN/CEFACT e-CMR project focus

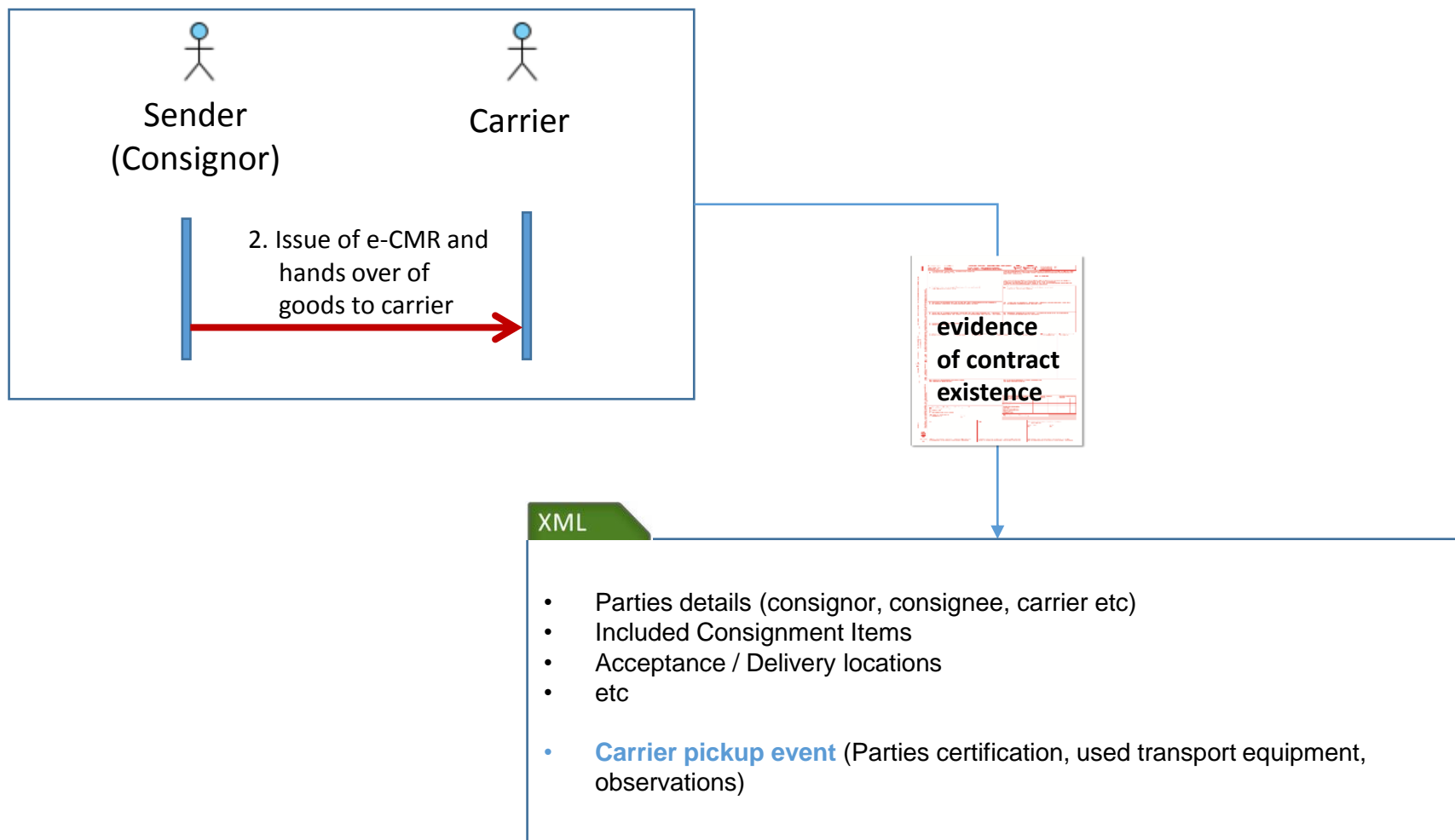


* Changes based on BRS review

e-CMR model



e-CMR model



e-CMR model

1 Exemples pour **expéditeur** / **afzender** / **abnehmer** / **Frachtsender** - **VERZENDENDEN** / **FRACHTSENDER** - **TRANSPORTOCCUMENT** **CMR** **AVC-2002** Code Transporteur / Carrier / Transporteur / E.F.Z.

LETTRÉ DE VOITURE - DOCUMENT DE TRANSPORT

NL 024896

Indice de numérotation global des marchandises en vue de l'expédition et de la réception de la marchandise en transit par l'entremise d'un transporteur par voie terrestre par route. On utilise ce numéro pour l'identification de la marchandise pendant le transit. On utilise ce numéro pour l'identification de la marchandise pendant le transit. On utilise ce numéro pour l'identification de la marchandise pendant le transit.

1 Expéditeur (nom, adresse, pays) / Afzender (naam, adres, land) / Abnehmer (Name, Anschrift, Land)

2 Destinataire (nom, adresse, pays) / Geadresseerde (naam, adres, land) / Empfänger (Name, Anschrift, Land)

3 Lieu prévu pour la livraison de la marchandise (des, pays) / Plaats (bestemd) voor de aflevering der goederen (plaats, land) / Auslieferungsort (des, Land) (Ort, Land)

4 Lieu et date de la prise en charge de la marchandise (des, pays) / Plaats en dag, van overname der goederen (plaats, land, datum) / Ort und Tag der Übernahme der Güter (Ort, Land, Datum)

5 Description sommaire / Beschrijvende aanduidingen

6 Nature, contenu, valeur et autres renseignements / Beschrijving / Beschreibung

7 Nature de la marchandise / Beschrijving der goederen

8 Date d'expédition / Verzenddatum

9 Date de réception / Ontvangstdatum

10 Conteneur / Container

11 Type de véhicule / Voertuigtype

12 Poids net / Nettogewicht

13 Instructions de l'expéditeur / Instructies afzender

14 Description de l'affranchissement / Frachtkondities

15 Déclaration / Risikoverklaring

16 Transporteur (nom, adresse, pays) / Vervoerder (naam, adres, land) / Frachtführer (Name, Anschrift, Land)

17 Transporteur (nom, adresse, pays) / Opgedragen vervoerder (naam, adres, land) / Nachgelagter Frachtführer (Name, Anschrift, Land)

18 Réserves et observations de l'expéditeur / Aanmerkingen van de verzender / Anmerkungen und Bemerkungen des Frachtsenders

19 Déclarations particulières / Speciale aanmerkingen / Besondere Anmerkungen

20 Liste des marchandises / Lijst van goederen / Liste der Güter

21 Signature et timbre de l'expéditeur / Handtekening en stempel van de afzender / Unterschrift und Stempel des Absenders

22 **A**

23 **B**

24 Marchandises reçues / Goederen ontvangen / Güter empfangen

25 Signature et timbre du destinataire / Handtekening en stempel van de geadresseerde / Unterschrift und Stempel des Empfängers

26 **C**

e-CMR Master Message

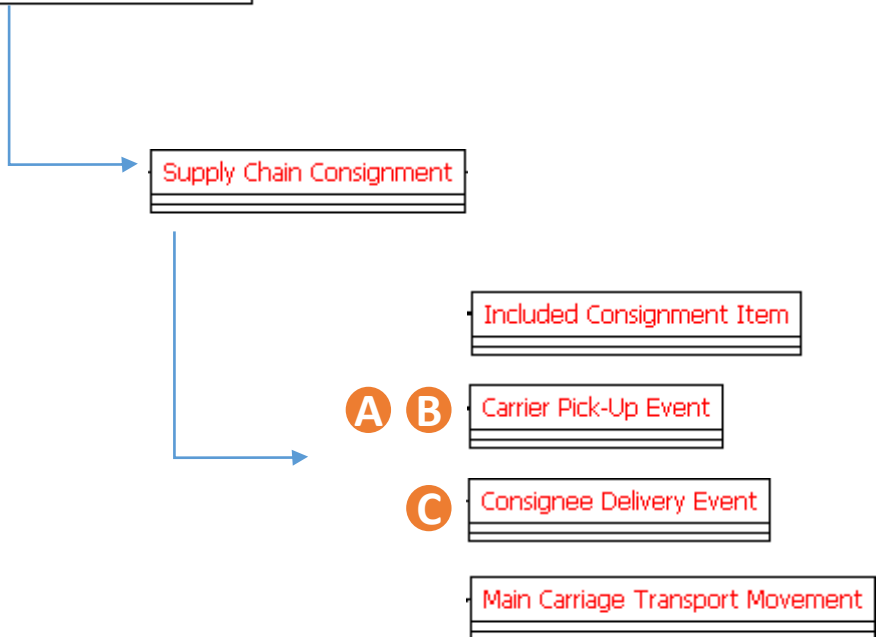
Supply Chain Consignment

Included Consignment Item

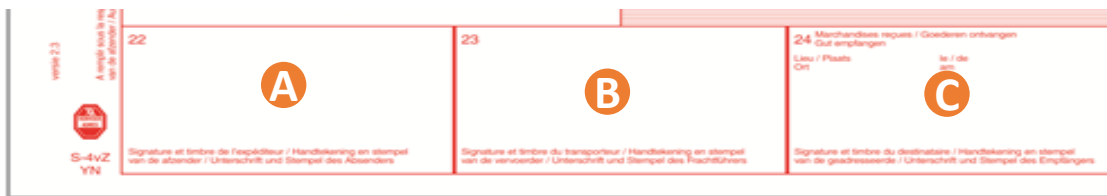
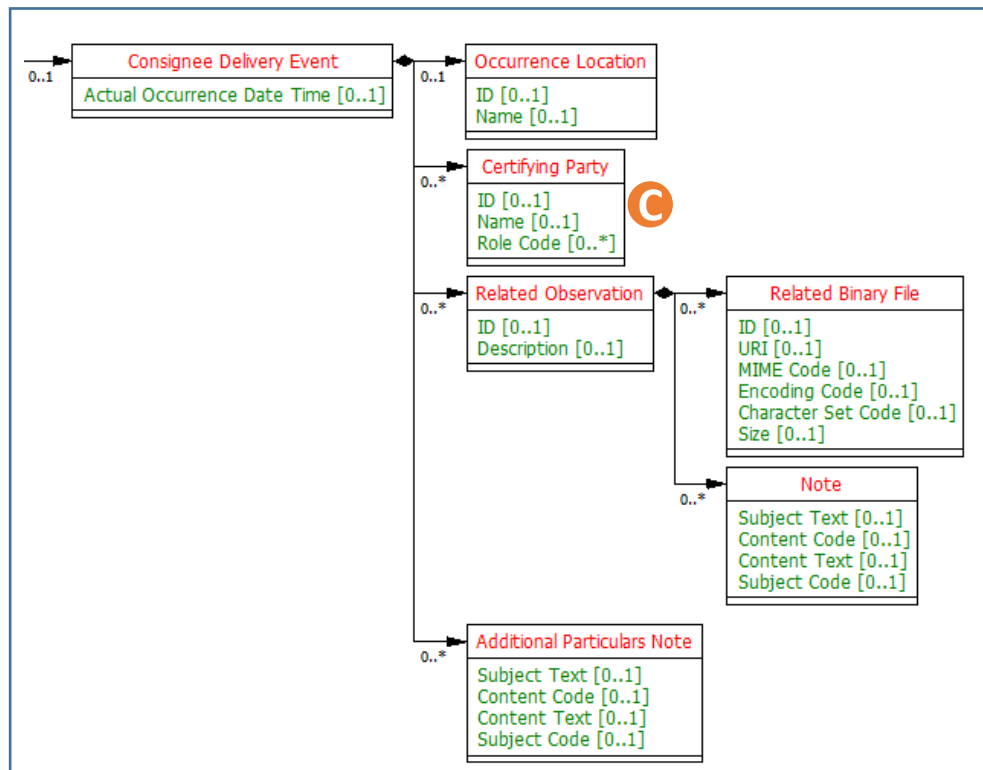
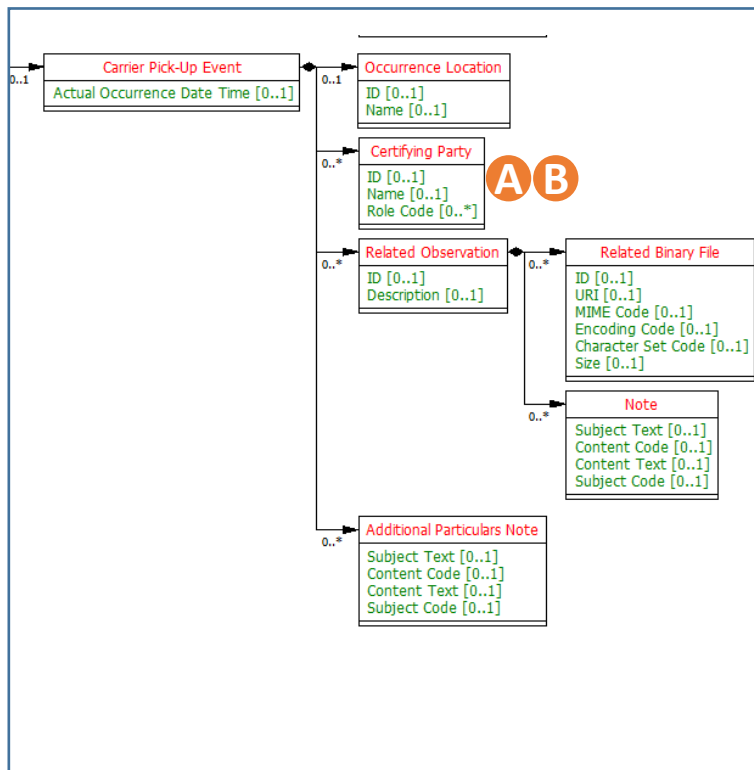
A **B** Carrier Pick-Up Event

C Consignee Delivery Event


Main Carriage Transport Movement



e-CMR model (contractual events)



e-CMR model: Transit Declaration model of NCTS and of Eurasian Customs Union are taken into account

| EUROPEAN COMMUNITY | | DECLARATION TYPE (1) | | MRN | |
|--|--|--|---|---|--|
| TRANSIT/SECURITY ACCOMPANYING DOCUMENT | Consignor/Exporter (2) | | Other SICI (302) |  | |
| | <input type="checkbox"/> | | Forme (3) | | Sic Decl. (305) |
| | Consignee (8) | | Items (5) | Total packages (6) | Gross mass(Kg)(35) |
| | Date and Time of arrival at first place of arrival in customs territory (312) | | Reference Numbers (7) | | |
| | Transport Charges Method of Payment (529) | | Return copy has to be sent to the office | | |
| | Identity and nationality of means of transport at departure (15) | | Other incidents during carriage Details and measures taken (56) | | CERTIFICATION BY COMPETENT AUTHORITIES (6) |
| | Identity and nationality of active means of transport crossing the border (21) | | Place of loading (517) | | Location of goods (30) |
| | Mode of transport (25) | | Place of unloading (518) | | Countries of routing codes (513) |
| | Place of loading (517) | | C disp. resp. Code (15) | | C Dest. Code (17) |
| | TRANSIT/SECURITY LIST OF ITEMS | | MRN | | |
| Goods details | | Consignee (8) | | | |
| Consignor/Exporter (2) | | Consignor (security) (504) | | | |
| Consignor (security) (504) | | Consignor (security) (506) | | | |
| Produced documents / certificates (441) | | Summary declaration/Previous document (40) | | | |
| Identity and nationality of means of transport at departure (15) | | Special mentions (442) | | | |
| Identity and nationality of active means of transport crossing the border (21) | | Unique consignment reference number (7) | | | |
| Place of unloading (518) | | Container numbers (313) | | Seal Number (528) | |
| UN/CEFACT (44) | | Commodity Code (33) | | Gross mass(Kg)(35) | |
| Sensitive quantity (315) | Sensitive code (314) | Type CM Play code (529) | DECLARATION TYPE (1) | 15 C disp. resp. Code | |
| ... | ... | ... | ... | C Dest. Code (17) | |
| ... | ... | ... | ... | Net mass (kg) (36) | |

Included Consignment Item

ID [0..*]
 Sequence Number [1..1]
 Goods Type Code [0..1]
 Invoice Amount [0..1]
 Gross Weight [1..1]
 Gross Volume [0..1]
 Additional units of measurement [0..1]
 Global ID [0..1]

Goods Description

Identification Text [0..1]

Transport Dangerous Goods

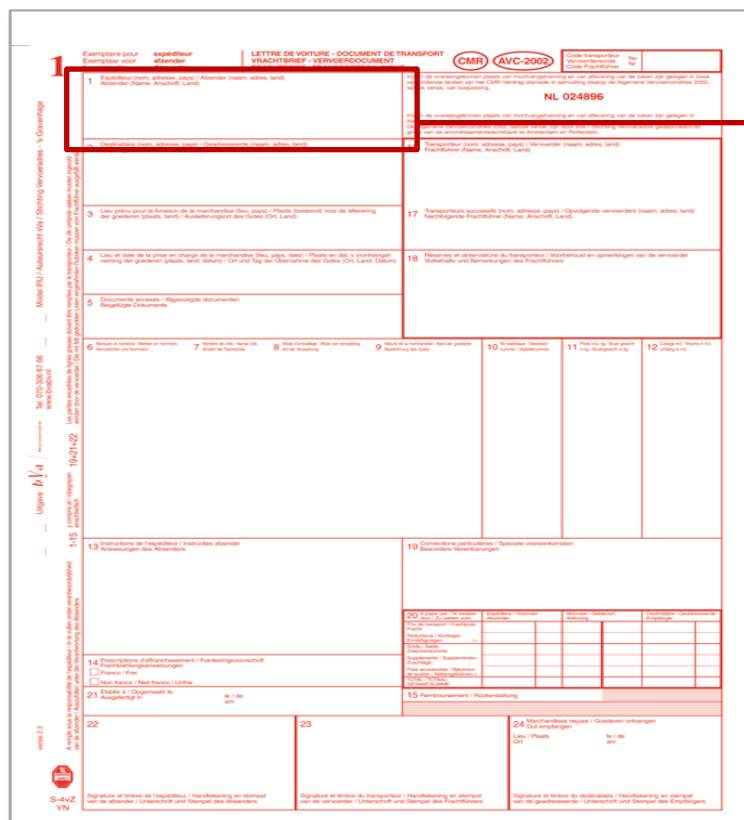
UNDG ID [1..1]
 Technical Name [0..1]
 Packaging Danger Level Code [0..1]

Transport Package

Item Quantity [0..1]
 Level Code [0..1]
 Type Code [0..1]
 Type Text [0..1]
 ID [0..1]

Additional Particulars Note

e-CMR model: CMR Convention requirements taken into account



Exemples pour expéditeur / Expéditeur van /

LETTRE DE VOITURE - DOCUMENT DE TRANSPORT
VRACHTBRIEF - VERVOERDOCUMENT

CMR AVC-2002

NL 024896

1 Expéditeur (nom, adresse, pays) / Afzender (naam, adres, land)
Expéditeur (nom, adresse, pays) / Afzender (naam, adres, land)

2 Destinataire (nom, adresse, pays) / Bestemmingsgereguleerder (naam, adres, land)
Bestemmingsgereguleerder (naam, adresse, pays) / Bestemmingsgereguleerder (naam, adres, land)

3 Lieu prévu pour le livraison de la marchandise (des, pays) / Plaats (bestemd) voor de aflevering van de goederen (plaats, land) / Auslieferungsart des Gutes (Ort, Land)

4 Lieu et date de la prise en charge de la marchandise (des, pays, date) / Plaats en datum van het opheffing van de goederen (plaats, land, datum) / Ort und Tag der Übernahme des Gutes (Ort, Land, Datum)

5 Documents annexes / Bijgelegde documenten
Bijgelegde Documenten

6 Nom et adresse du transporteur / Naam en adres van de vervoerder
Naam en adres van de vervoerder

7 Nom et adresse du destinataire / Naam en adres van de geadresseerde
Naam en adres van de geadresseerde

8 Date de livraison / Datum van levering
Datum van levering

9 Nom et adresse du destinataire / Naam en adres van de geadresseerde
Naam en adres van de geadresseerde

10 Numéro de la lettre de voiture / Nummer van het vrachtbrief
Nummer van het vrachtbrief

11 Nom et adresse du destinataire / Naam en adres van de geadresseerde
Naam en adres van de geadresseerde

12 Code de la lettre de voiture / Code van het vrachtbrief
Code van het vrachtbrief

13 Déclarations de l'expéditeur / Verklaringen afzender
Verklaringen afzender

14 Déclarations de l'expéditeur / Verklaringen afzender
Verklaringen afzender

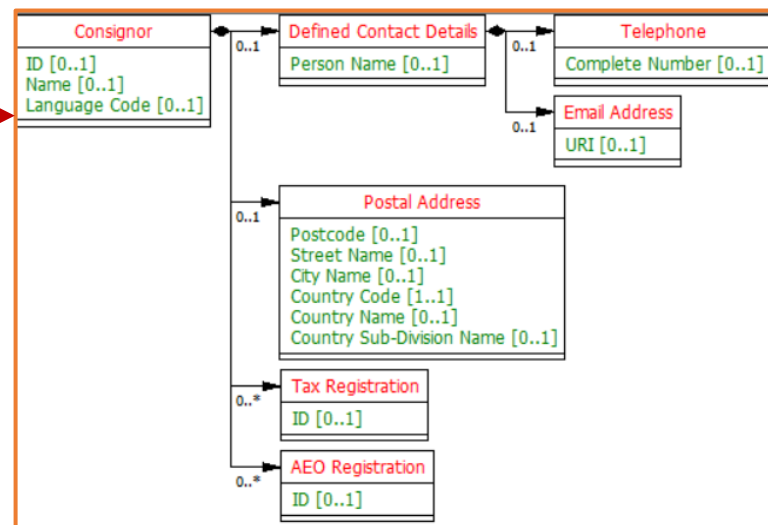
15 Remplacement / Pakenaamstelling
Pakenaamstelling

16 Marchandises expédiées / Goederen verzonden
Goederen verzonden

Signature de l'expéditeur / Handtekening afzender
Handtekening afzender

Signature de l'expéditeur / Handtekening afzender
Handtekening afzender

Signature de l'expéditeur / Handtekening afzender
Handtekening afzender



Each object in the eCMR structure has a unique Dictionary Entry Name plus a business short name for readability.

Based upon the UN/CEFACT Core Component Library (CCL), the MultiModal Transport Reference Data Model (MMT) and the Supply Chain Reference Data Model (SCRDM).

For more information

Project Leader

- Evgeniya Iafaev (Evgeniya.lafaev@iru.org)

UN/CEFACT responsible Vice Chair

- Sue Probert (sue.probert@dial.pipex.com)

UNECE secretariat

- Lance Thompson (lance.thompson@unece.org)
- www.unece.org/cefact