

**Economic and Social Council**Distr.: General
22 September 2017

Original: English

Economic Commission for Europe**Inland Transport Committee****World Forum for Harmonization of Vehicle Regulations****Working Party on Passive Safety****Sixty-second session**

Geneva, 12-15 December 2017

Item 12 of the provisional agenda

UN Regulation No. 44 (Child restraint systems)**Proposal for Supplement 14 to the 04 series of amendments
to UN Regulation No. 44 (Child restraint systems)****Submitted by the expert from France***

The text reproduced below was prepared by the expert from France on behalf of the Technical Services Group (TSG) on UN Regulation No. 44 to clarify the test protocol for the opening force of the ISOFIX attachments. The modifications to the current text of UN Regulation No. 44 are marked in bold for new or strikethrough for deleted characters.

* In accordance with the programme of work of the Inland Transport Committee for 2016–2017 (ECE/TRANS/254, para. 159 and ECE/TRANS/2016/28/Add.1, cluster 3.1), the World Forum will develop, harmonize and update Regulations in order to enhance the performance of vehicles. The present document is submitted in conformity with that mandate.

GE.17-16702(E)



* 1 7 1 6 7 0 2 *

Please recycle The recycling symbol, consisting of three chasing arrows forming a triangle.



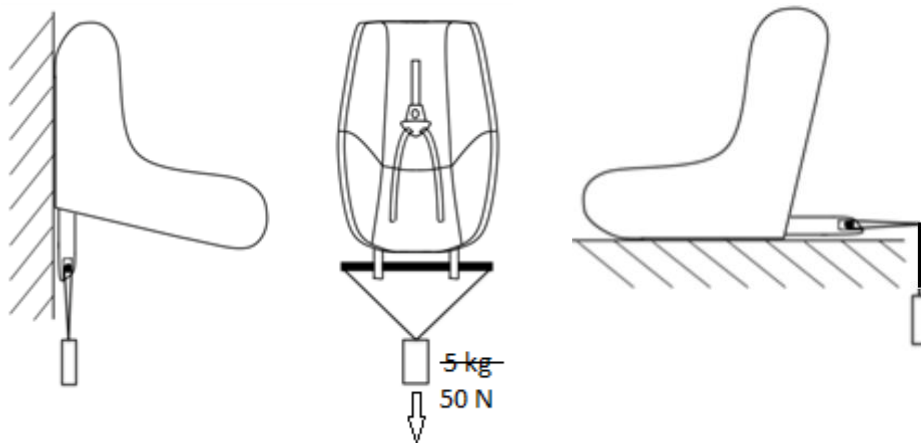
I. Proposal

Paragraph 8.2.9., amend to read:

"8.2.9. The complete seat, or the component fitted with ISOFIX attachments (e.g. ISOFIX base) if it has a release button, is attached rigidly to a test rig in such a way that ISOFIX connectors are ~~vertically~~ aligned as shown in Figure 7. A 6 mm diameter bar, 350 mm long, shall be attached to the ISOFIX connectors. A ~~mass force of 5 kg~~ **50 ± 1 N shall be applied to the** ~~shall be attached to the~~ extremities of the bar."

Figure 7, amend to read:

"Figure 7



"

II. Justification

Either option is permitted as long as a force of 50 N is applied.
