

14 September 2023

Agreement

Concerning the Adoption of Harmonized Technical United Nations Regulations for Wheeled Vehicles, Equipment and Parts which can be Fitted and/or be Used on Wheeled Vehicles and the Conditions for Reciprocal Recognition of Approvals Granted on the Basis of these United Nations Regulations*

(Revision 3, including the amendments which entered into force on 14 September 2017)

Addendum 26: UN Regulation No. 27

Revision 3

Incorporating all valid text up to:

Supplement 1 to the 04 series of amendments – Date of entry into force: 10 October 2017
05 series of amendments – Date of entry into force: 15 October 2019

Uniform provisions concerning the approval of advance warning triangles

This document is meant purely as documentation tool. The authentic and legal binding texts are: ECE/TRANS/WP.29/2017/25 and ECE/TRANS/WP.29/2018/97/Rev.1



UNITED NATIONS

* Former titles of the Agreement: Agreement Concerning the Adoption of Uniform Conditions of Approval and Reciprocal Recognition of Approval for Motor Vehicle Equipment and Parts, done at Geneva on 20 March 1958 (original version); Agreement concerning the Adoption of Uniform Technical Prescriptions for Wheeled Vehicles, Equipment and Parts which can be Fitted and/or be Used on Wheeled Vehicles and the Conditions for Reciprocal Recognition of Approvals Granted on the Basis of these Prescriptions, done at Geneva on 5 October 1995 (Revision 2).

UN Regulation No. 27

Uniform provisions concerning the approval of advance warning triangles

Contents

	<i>Page</i>
Regulation	
1. Scope	4
2. Definitions.....	4
3. Application for approval	5
4. Markings	5
5. Approval.....	5
6. General specifications	6
7. Particular specifications	7
8. Test procedure.....	9
9. Modifications of the advance warning triangle type and extension of approval	9
10. Conformity of production.....	9
11. Penalties for non-conformity of production	10
12. Production definitively discontinued.....	10
13. Names and addresses of Technical Services conducting approval tests and of Type Approval Authorities	10
14. Transitional provisions.....	10
Annexes	
1 Communication.....	11
2 Arrangements of the approval mark.....	12
3 Shape and dimensions of the advance warning triangle.....	13
4 Determination of the roughness of the road surface "sandy beach" method	15
5 Test procedures	16
6 Method for measurement of the CIL of retro-reflecting devices and fluorescent retro-reflecting materials	22
7 Minimum requirements for conformity of production control procedures.....	27
8 Minimum requirements for sampling by an inspector.....	29
9 Colour fastness to artificial light: Xenon-arc lamp test	31
Appendix 1 - Definition of the grey scale	35
10 Description of the measurement geometry for measurement of the colour and the luminance factor of fluorescent retro-reflective materials.....	37

1. Scope

This Regulation applies to certain advance warning devices intended to be on board vehicles and to be placed on the carriageway in order to signal, by day and at night, the presence of a halted vehicle.

2. Definitions

For the purposes of this Regulation,

- 2.1. "Advance warning triangle" means the device referred to in paragraph 1. above, and in the form of an equilateral triangle:
 - 2.1.1. "Advance warning triangle of type 1" means advance warning triangle comprised of a separate retro-reflecting device and separate fluorescent material;
 - 2.1.2. "Advance warning triangle of type 2" means advance warning triangle comprised of a single fluorescent retro-reflecting material.
- 2.2. "Type of triangle" means advance warning triangles which do not differ in such essential respects as:
 - 2.2.1. Trade name or mark:
 - (a) Advance warning triangle bearing the same trade name or mark but produced by different manufacturers are considered as being of different types;
 - (b) Advance warning triangle produced by the same manufacturer differing only by the trade name or mark may be considered to be of the same type.
 - 2.2.2. The optical characteristics.
 - 2.2.3. The distinctive geometrical and mechanical features of the design.
- 2.3. "Retro-reflecting device" means an assembly, ready for use, comprising one or more retro-reflecting optical units.
- 2.4. "Front face of the triangle" means the face carrying the optical units.
- 2.5. "Axis of the advance warning triangle" means the straight line which, perpendicular to the front face of the triangle, passes through its centre.
- 2.6. "Fluorescent material" means a material which, either in the mass or at the surface, when excited by daylight, exhibits the phenomenon of photo-luminescence ceasing rather shortly after excitation.
- 2.7. "Luminance factor" means the ratio of the luminance of the body considered to the luminance of a perfect diffuser under identical conditions of illumination and observation. The luminance of the body considered includes that produced by reflection and by fluorescence.
- 2.8. "Coefficient of luminous intensity (CIL)" means the amount of luminous intensity reflected in the direction considered, divided by the illumination of the retro-reflecting device for given angles of illumination, divergence and rotation. The illumination is measured in a plane normal to the direction of the incident light.
- 2.9. "Fluorescent retro-reflecting material" means a material with retro-reflecting properties which, when excited by daylight, exhibits the phenomenon of photo-luminescence ceasing rather shortly after excitation.

3. Application for approval

The application for approval shall be submitted by the holder of the trade name or mark or by his duly accredited representative and shall be accompanied by:

- 3.1. Dimensional drawings in triplicate in sufficient detail to permit identification of the type;
- 3.2. A brief description giving the technical specifications of the materials constituting the advance warning triangle and instructions for use;
- 3.3. A copy of the instructions on its assembly for use;
- 3.4. Four samples of the advance warning triangle and at least two protective covers if the advance warning triangles are to be supplied with protective covers;
- 3.5. Two samples of the fluorescent or fluorescent retro-reflecting material in which a 100 x 100 mm square can be inscribed and which are fully representative of the material applied under the same conditions to the same base material as used for the advance warning triangle;
- 3.6. In the case of a type of advance-warning triangle differing only by the trade name or mark from a type that has already been approved it shall be sufficient to submit:
 - 3.6.1. A declaration by the advance-warning triangle manufacturer that the type submitted is identical (except in the trade name or mark) with and has been produced by the same manufacturer as, the type already approved, the latter being identified by its approval code;
 - 3.6.2. Two samples bearing the new trade name or mark or equivalent documentation.

4. Markings

- 4.1. Every advance warning triangle and its protective cover shall, when submitted for approval, bear the trade name or mark of the applicant; such marking shall be clearly legible and be indelible.
- 4.2. Every advance warning triangle and its protective cover shall provide adequate space for the approval mark; the space aforesaid shall be shown in the drawings referred to in paragraph 3.1. above.

5. Approval

- 5.1. If all the samples of a type of advance warning triangle which are submitted in conformity with the provisions of paragraph 3. above meet the requirements of this Regulation, approval shall be granted.
- 5.2. The approval number shall be assigned to each type approved. Its first two digits (at present 04 corresponding to the 04 series of amendments)¹ shall indicate the series of amendments incorporating the most recent major technical amendments made to the Regulation at the time of issue of the approval. The same Contracting Party shall not assign the same number to another type of advance warning triangle covered by this Regulation.
- 5.3. Notice of approval or of refusal of approval of a type of advance warning triangle pursuant to this Regulation shall be communicated to the countries Parties to the Agreement which apply this Regulation by means of a form conforming to the model in Annex 1 to this Regulation accompanied by

¹ The 05 series of amendments does not require changes in the approval number (TRANS/WP.29/815, para. 82).

dimensional drawings (supplied by the applicant for approval) in a format not exceeding A4 (210 x 297 mm), or folded to that format, and on an appropriate scale.

- 5.4. In addition to the markings prescribed in paragraph 4.1. above, there shall be affixed, in the space referred to in paragraph 4.2. above, to every advance warning triangle and to its protective cover conforming to a type approved under this Regulation:
 - 5.4.1. An international approval mark consisting of:
 - 5.4.1.1. A circle surrounding the letter "E" followed by the distinguishing number of the country which has granted approval;²
 - 5.4.1.2. The number of this Regulation followed by the letter "R" and the approval number prescribed in paragraph 5.2. above. The figures and letters shall face the same way as the letter "E".
- 5.5. The trade name or mark on the protective cover shall be visible from the outside.
- 5.6. The approval mark shall be clearly legible and indelible.
- 5.7. Annex 2 to this Regulation gives examples of the arrangement of the approval mark.

6. General specifications

- 6.1. The advance warning triangle shall be open at the centre and shall comprise a red border composed of an outer retro-reflecting strip and an inner fluorescent strip, the whole supported at a certain height above the surface of the carriageway. The open centre and the fluorescent and retro-reflecting strips shall be bounded by concentric equilateral triangular contours. Alternatively, a fluorescent retro-reflecting material may be used (type 2).
- 6.2. Advance warning triangles shall be so made that in normal use (on the road and when carried in the vehicle) they retain the prescribed characteristics and their satisfactory functioning continues to be ensured.
- 6.3. The optical units of the advance warning triangle shall not be easily disassembled. The various parts making up the advance warning triangle shall provide good stability on the road. They shall not be easily disassembled. If a triangle has to be folded in order to be placed in its protective cover, the movable parts, including its supports, shall not be detachable.
- 6.4. When the advance warning triangle is in the position of use on the road, the front face of the triangle shall be vertical. This condition is deemed fulfilled if the axis of the triangle does not form an angle of more than 5° with the base plane.
- 6.5. The front face of the advance warning triangle shall be easy to clean; in particular, it shall not be rough, and such protuberances as it may exhibit shall not prevent such cleaning.
- 6.6. The advance warning triangle and its support shall not present sharp edges or corners.
- 6.7. The advance warning triangle shall be accompanied by its protective cover, if any, against external agents, especially during carriage; it may however be supplied without protective cover where the necessary protection is provided by other means. These means shall be stated in the description mentioned in

² The distinguishing numbers of the Contracting Parties to the 1958 Agreement are reproduced in Annex 3 to the Consolidated Resolution on the Construction of Vehicles (R.E.3) (ECE/TRANS/WP.29/78/Rev.6)

paragraph 3.2. above and in the communication form under paragraph 5.3. of this Regulation.

- 6.8. Each triangle shall be required to be accompanied by a copy of the instructions referred to in paragraph 3.3. above.

7. Particular specifications

- 7.1. Requirements as to shape and dimensions
- 7.1.1. Shape and dimensions of the triangle (see Annex 3)
- 7.1.1.1. The theoretical sides of the triangle shall be 500 ± 50 mm long.
- 7.1.1.2. In the case of an advance warning triangle of type 1, the retro-reflecting units shall be arranged along the edge within a strip of an unvarying width which shall be between 25 mm and 50 mm. In the case of an advance warning triangle of type 2 with fluorescent retro-reflecting material, the unvarying width shall be between 50 mm and 85 mm.
- 7.1.1.3. Between the outer edge of the triangle and the retro-reflecting strip there may be an edging not more than 5 mm wide and not necessarily red-coloured.
- 7.1.1.4. The retro-reflecting strip may be continuous or not. In the latter case the free area of the supporting material shall be red (see also paragraph 7.3.1.2. of this Regulation).
- 7.1.1.5. In the case of an advance warning triangle of type 1, the fluorescent surface shall be continuous to the retro-reflecting units. It shall be arranged symmetrically along the three sides of the triangle. When in use, its surface area shall be not less than 315 cm^2 . However, an edging, continuous or not, not more than 5 mm wide, which need not necessarily be red-coloured, may be placed between the retro-reflecting surface and the fluorescent surface.
- 7.1.1.6. The side of the open centre of the triangle shall have a minimum length of 70 mm (Figure 1).
- 7.1.2. Shape and dimensions of the support
- 7.1.2.1. The distance between the supporting surface and the lower side of the advance warning triangle shall not exceed 300 mm.
- 7.1.3. The fluorescent retro-reflecting material shall be coloured in the mass, either in the retro-reflective elements or as solid surface layer.
- 7.2. Colorimetric specification
- 7.2.1. Retro-reflecting devices
- 7.2.1.1. Retro-reflecting devices shall be made of material coloured red in the mass.
- 7.2.1.2. The testing of the colour for retro-reflecting device (night-time colour) shall be carried out according to the method described in Annex 5, paragraph 2.1. and the trichromatic co-ordinates of the red reflected luminous flux shall be within the following limits:

<i>Point</i>	<i>1</i>	<i>2</i>	<i>3</i>	<i>4</i>
<i>x</i>	0.712	0.735	0.589	0.625
<i>y</i>	0.258	0.265	0.376	0.375

7.2.2. Fluorescent materials

7.2.2.1. The fluorescent materials shall either be coloured in the mass or take the form of separate coatings applied to the surface of the triangle.

7.2.2.2. The testing of the colour of the fluorescent materials (daytime colour) of advance warning triangle of type 1 or type 2 shall be carried out according to the method described in Annex 5, paragraph 2.2. and the colour of the material in new condition shall be within an area of which the corner points are determined by the following coordinates:

<i>Point</i>	<i>1</i>	<i>2</i>	<i>3</i>	<i>4</i>
<i>x</i>	0.570	0.506	0.595	0.690
<i>y</i>	0.430	0.404	0.315	0.310

7.2.2.3. The testing of the luminance factor of the fluorescent materials shall be carried out according to the method described in Annex 5, paragraph 3.

The luminance factor including the luminance by reflection and fluorescence shall be:

- (a) For advance warning triangle of type 1, not less than 30 per cent; and
- (b) For advance warning triangle of type 2, not less than 25 per cent.

7.2.3. The largest measured trichromatic coordinate *y* value according to paragraph 7.2.1.2. (night time colour) shall be smaller or equal to the largest measured trichromatic coordinate *y* value according to paragraph 7.2.2.2. (day time colour).

7.3. Photometric specifications

7.3.1. Retro-reflecting devices and fluorescent retro-reflecting material.

7.3.1.1. The values of the CIL of retro-reflecting optical units or the fluorescent retro-reflecting material shall be not less than those given in the table below, expressed in millicandelas per lux, for the angles of divergence and the illumination angle shown:

	<i>Illumination angles β</i>			
Vertical V (β_1)	0°	±20°	0°	0°
Horizontal H (β_2)	0° or ±5°	0°	±30°	±40°
Angles of divergence 20'	8,000	4,000	1,700	600
Angles of divergence 1°30'	600	200	100	50

7.3.1.2. The CIL measured on random slices of 50 mm length of the retro-reflecting device shall lie between extremes having a ratio not in excess of 3. These slices are taken between the perpendiculars to the side of the triangle and passing through the corresponding apexes of the central aperture. This requirement applies to an angle of divergence of 20' and to illumination angles of V = 0°, H = 0° or ±5° and V = ±20°, H = 0°.

7.3.1.3. Diversity of luminance at angles of illumination of V = 0°, H = ±30°, and V = 0°, H = ±40° shall be tolerated on condition that the triangular shape remains clearly discernible, for an angle of divergence of 20' and an illumination of approximately 1 lux.

7.3.1.4. The measurements referred to above shall be performed by the method described in Annex 5 to this Regulation, paragraph 4.

8. Test procedure

Every advance warning triangle and its protective cover, if any, shall meet the requirements of the checks and tests described in Annex 5 to this Regulation.

9. Modifications of the advance warning triangle type and extension of approval

- 9.1. Every modification of the triangle type shall be notified to the Type Approval Authority which granted approval. The Type Approval Authority may then either:
 - 9.1.1. Consider that the modifications made are unlikely to have an appreciable adverse effect, and that in any case the triangle still meets the requirements; or
 - 9.1.2. Require a further report from the technical service responsible for conducting the tests.
- 9.2. Notice of confirmation of approval, specifying the modifications, or of refusal of approval shall be communicated by the procedure specified in paragraph 5.3. above to the Parties to the Agreement which apply this Regulation.
- 9.3. The Type Approval Authority issuing the extension of approval shall assign a series number to each communication form drawn up for such an extension and inform thereof the other Parties to the 1958 Agreement applying this Regulation by means of a communication form conforming to the model in Annex 1 to this Regulation.

10. Conformity of production

The conformity of production procedures shall comply with those set out in the Agreement, Schedule 1 (E/ECE/TRANS/505/Rev.3), with the following requirements:

- 10.1. Advance warning triangles shall be so manufactured as to conform to the type approved under this Regulation.

The compliance with the requirements set forth in paragraphs 6., 7. and 8. above shall be verified as follows:

 - 10.1.1. In addition, the stability in time of the optical properties and colour of retro-reflecting optical units of advance warning triangles conforming to an approved type and in use shall be verified. In the event of a systematic deficiency of the retro-reflecting optical units of advance warning triangles in use and conforming to an approved type, approval may be withdrawn. A "systematic deficiency" shall be deemed to exist where an approved type of advance warning triangle fails to meet the requirements of paragraph 6.2. of this Regulation.
 - 10.1.2. The minimum requirements for Conformity of Production (CoP) control procedures set forth in Annex 7 to this Regulation shall be complied with.
 - 10.1.3. The minimum requirements for sampling by an inspector set forth in Annex 8 to this Regulation shall be complied with.
- 10.2. The Type Approval Authority which has granted type approval may at any time verify the conformity control methods applied in each production facility. The normal frequency of these verifications shall be once every two years.

11. Penalties for non-conformity of production

- 11.1. The approval granted in respect of a type of advance warning triangle may be withdrawn if the foregoing requirements are not complied with.
- 11.2. If a Contracting Party to the Agreement applying this Regulation withdraws an approval it has previously granted, it shall forthwith notify the other Contracting Parties applying this Regulation thereof by means of a communication form conforming to the model in Annex 1 to this Regulation.

12. Production definitively discontinued

If the holder of the approval completely ceases to manufacture a device under this Regulation, he shall inform thereof the Type Approval Authority which granted the approval. Upon receiving the relevant communication that Authority shall inform the other Parties to the Agreement which apply this Regulation thereof by means of a communication form conforming to the model in Annex 1 to this Regulation.

13. Names and addresses of Technical Services conducting approval tests and of Type Approval Authorities

The Contracting Parties to the Agreement applying this Regulation shall communicate to the secretariat of the United Nations the names and addresses of the Technical Services conducting approval tests and of the Type Approval Authorities which grant approval and to which the forms certifying approval or refusal or withdrawal of approval, issued in other countries, are to be sent.

14. Transitional provisions³

- 14.1. As from 24 months after the official date of entry into force of UN Regulation No. 150, Contracting Parties applying this Regulation shall cease to grant approvals to this Regulation.
- 14.2. Contracting Parties applying this Regulation shall not refuse to grant extensions of approval to this and any previous series of amendments of this Regulation.
- 14.3. Contracting Parties applying this Regulation shall continue to grant approvals for devices on basis of this and any previous series of amendments to this Regulation, provided that the devices are intended as replacements for fitting to vehicles in use.
- 14.3. Contracting Parties applying this Regulation shall continue to allow fitting or use on a vehicle in use of a device approved to this Regulation as amended by any previous series of amendments, provided that the device is intended for replacement.

³ The 05 series of amendments does not require changes in the approval number (TRANS/WP.29/815, para. 82).

Annex 1

Communication

(Maximum format: A4 (210 x 297 mm))



issued by: Name of administration:
.....
.....
.....

Concerning:² Approval granted
Approval extended
Approval refused
Approval withdrawn
Production definitively discontinued

of a type of advance warning triangle pursuant to UN Regulation No. 27.

Approval No.: Extension No.:

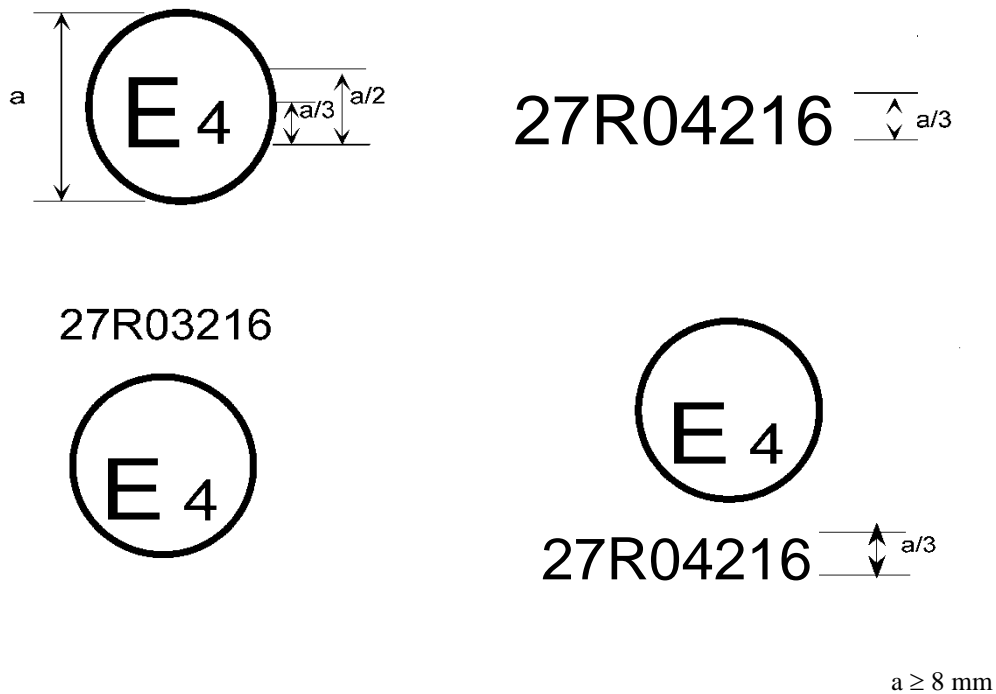
1. Trade name or mark of the advance warning triangle.....
2. Manufacturer's name.....
3. Address
4. If applicable, name of manufacturer's representative.....
5. Address
6. Brief description of the advance warning triangle
-
7. Submitted for approval on
8. Technical Service conducting approval tests
9. Date of report issued by that Service
10. Number of report issued by that Service.....
11. Approval granted/extended/refused/withdrawn²
12. Remarks
13. Place
14. Date.....
15. Signature.....
16. The following documents, bearing the approval number shown above, are annexed to this communication:
..... dimensioned drawings
..... photographs

¹ Distinguishing number of the country which has granted/extended/refused/withdrawn approval (see approval provisions in the Regulation).

² Strike out what does not apply.

Annex 2

Arrangements of the approval mark



An advance warning triangle bearing one of the approval marks shown above has been approved in the Netherlands (E 4) under approval number 04216. The first two digits of the approval number indicate that the approval was granted according to the requirements of this Regulation as amended by the 04 series of amendments.¹

Note: The drawings show several possible embodiments and are given by way of example. The Type Approval Authorities shall avoid using Roman numerals for the approval, in order to prevent any confusion with other symbols.

¹ The 05 series of amendments does not require changes in the approval number (TRANS/WP.29/815, para. 82).

Annex 3

Shape and dimensions of the advance warning triangle

Figure 1
 Shape and dimensions of the advance warning triangle of type 1 and of the support

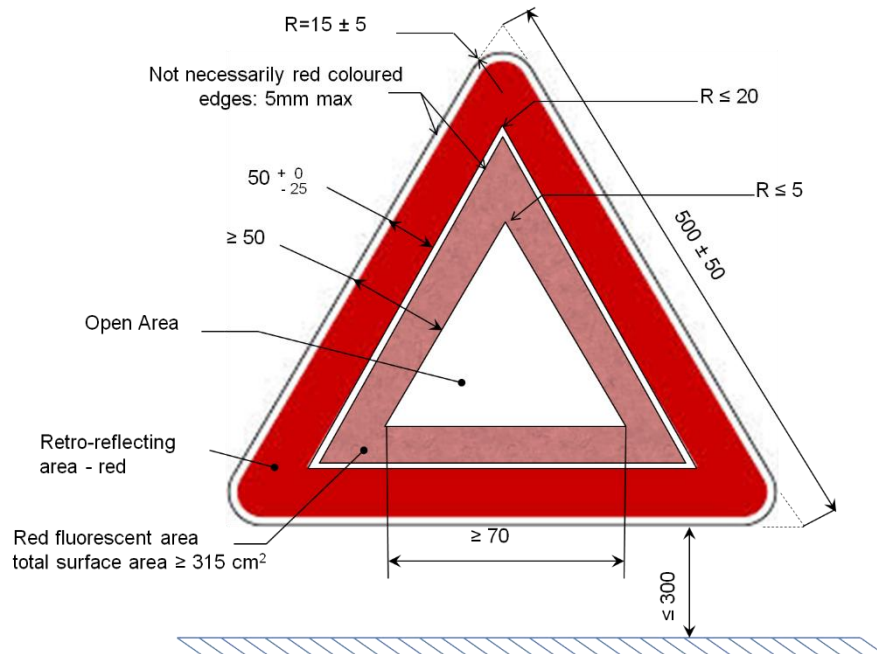


Figure 2
 Shape and dimensions of the advance warning triangle of type 2 and of the support

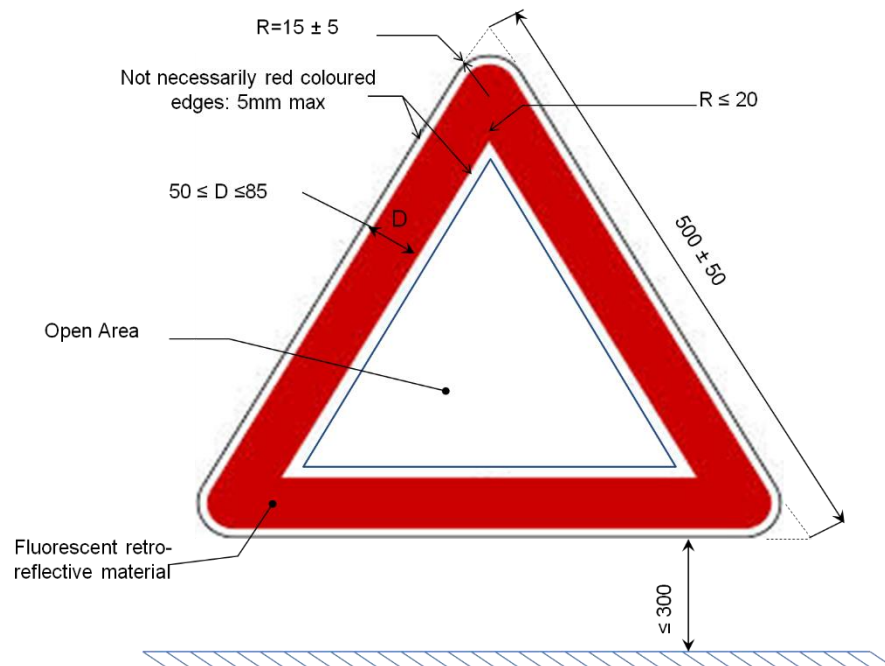
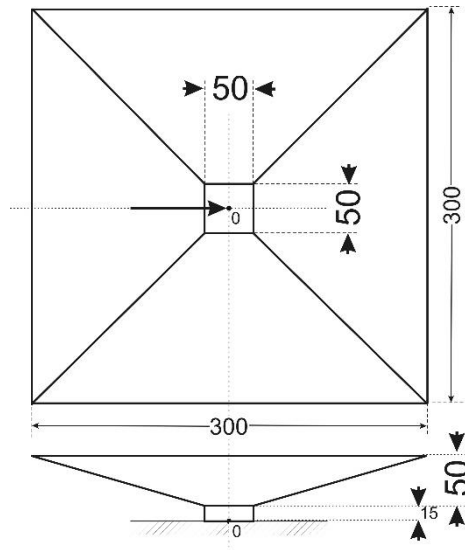


Figure 3
Test device for clearance to ground



Square hole

Dimensions in mm

Annex 4

Determination of the roughness of the road surface "sandy beach" method

1. Purpose of the method
- 1.1. The purpose of this method is to describe and to determine to a certain extent the geometric roughness of that part of the road surface on which the advance warning triangle is placed during the test of stability in wind, as required according to Annex 5, paragraph 10.
2. Principle of the method
- 2.1. A known volume V of sand is spread evenly on the surface of the carriageway in the form of a circle. The ratio of the volume used to the area S covered is defined as "mean sand depth" HS and is expressed in mm:

$$HS = \frac{V}{S}$$

- 2.2. The test is carried out by means of round-grain, dry sand and having a grain size between 0.160 mm and 0.315 mm. The volume amounts to 25 ml ± 0.15 ml. The sand is spread out over the surface where the test is carried out by means of a flat, circular disc with a diameter of 65 mm, one side of which is covered with a sheet of rubber having a thickness of 1.5 mm to 2.5 mm and the other being provided with an appropriate handle. If the diameter of the circular area covered with sand is D mm, the mean sand depth will be calculated in accordance with the formula:

$$HS = \frac{4}{\pi} \cdot \frac{25}{D^2} \cdot 10^3 \text{ mm}$$

3. Performance of the test
- 3.1. The surface on which the test is to be carried out shall be dry and at first be brushed with a soft brush to remove any dirt or loose gravel.
- 3.2. The sand which has been firmly filled into an appropriate receptacle is then poured out on the surface to be tested in a single heap. The sand is then carefully spread out on the surface by means of repeated circular movements of the rubber faced disc so as to form the largest possible round area covered with sand. The sand will then fill all depressions and hollows.
- 3.3. Two diameters, at right angles to one another, of the "beach" thus formed are usually measured. The mean value is rounded off to the nearest 5 mm, with the depth of the sand HS being calculated according to the formula given in paragraph 2.2. above.
- 3.4. Six tests of this kind are carried out on the supporting surface, with the parts to be tested being distributed over the surface to be tested as evenly as possible. The overall mean of the results obtained is given as the mean sand depth HS of the road surface where the advance warning triangle has been placed.

Annex 5

Test procedures

1. General
 - 1.1. The applicant shall submit samples, as mentioned in paragraphs 3.4. and 3.5. of this Regulation, for approval.
 - 1.2. After verification of the general specifications (paragraph 6. of the Regulation) and the specifications of shape and dimensions (paragraph 7.1. of this Regulation), all samples shall be subjected to the heat resistance test (paragraph 7. below) and examined after at least one hour of rest.
 - 1.3. The CIL value of the four samples of the advance warning triangles submitted is measured at an observation angle of 20' and at an illumination angle with the components $V = 0^\circ$, $H = \pm 5^\circ$; this test is carried out in accordance with the method described in paragraph 4. below.
 - 1.4. The two samples with the smallest and the largest CIL value in the tests according to paragraph 1.3. above shall be subsequently subjected to the following tests:
 - 1.4.1. Measurement of the values of the CIL in respect of the observation and illumination angles referred to in paragraphs 7.3.1.1. and 7.3.1.2. of this Regulation according to the method described in paragraph 4. below.
 - 1.4.2. Testing of the colour of the retro-reflected light according to paragraph 2.1. below on the sample with the highest CIL concerned shall be examined.
 - 1.4.3. Test of clearance to ground according to paragraph 5. below.
 - 1.4.4. Mechanical solidity test according to paragraph 6. below.
 - 1.5. One sample other than those referred to in paragraph 1.4. above shall be subjected to the following tests:
 - 1.5.1. Testing of resistance to penetration of water into the retro-reflecting device according to paragraph 11.1. below or if relevant, of the mirror-backed reverse side of the retro-reflecting device, according to paragraph 11.2. below.
 - 1.6. The second sample, other than those referred to in paragraph 1.4. above, shall be subjected to the following tests:
 - 1.6.1. Water test according to paragraph 8. below.
 - 1.6.2. Testing of resistance to fuels according to paragraph 9. below.
 - 1.6.3. Test of stability against wind according to paragraph 10. below.
 - 1.7. After the tests specified in paragraph 1.4. above, the two samples submitted according to paragraph 3.5. of this Regulation shall be subjected to the following tests:
 - 1.7.1. Colour test according to paragraph 2.2. below;
 - 1.7.2. Test of the luminance factor according to paragraph 3. below;
 - 1.7.3. Test of weather resistance according to paragraph 12. below.
2. Colour tests
 - 2.1. Colour of retro-reflecting devices
 - 2.1.1. The colour of the retro- reflecting devices to be tested when illuminated by the CIE standard illuminant A with an angle of divergence of $1/3^\circ$ and an illumination angle $V = H = 0^\circ$, or, if this produces a colourless surface reflection, an angle $V = \pm 5^\circ$, $H = 0^\circ$ shall be applied.

- 2.2. Colour of the fluorescent material
- 2.2.1. Colour of the fluorescent material for the advance warning triangle of type 1
- For testing the colour of the fluorescent material, the material shall be illuminated by the CIE Standard Illuminant D65 (ISO 11664-2:2007(E)/CIE S 014-2/E:2006) and measured with a spectrophotometer in accordance with the provisions of Publication CIE 15:2004, Recommendations on Colorimetry - Second Edition, either illuminated polychromatically or with a monochromator providing stepwise the CIE Standard Illuminant D 65 (ISO 11664-2:2007(E)/CIE S 014-2/E:2006) at an angle 45° to the normal and viewed along the normal (geometry 45/0). In the latter case, the stepwise resolution $\Delta\lambda$ shall be not larger than 10 nm. Alternatively similar "illuminants" are allowed, if verified that the colorimetric measuring procedure is of the same sufficient accuracy, meaning that the quality of the simulation of D65 shall be assessed by the method described in ISO 23603:2005(E)/CIE S 012/E:2004. The spectral distribution of the illuminant shall be in category BC (CIELAB) or better.
- The illumination shall be carried out at an angle 45° to the normal and viewed along the normal (geometry 45/0).
- 2.2.2. Colour of the fluorescent material for the advance warning triangle of type 2
- For testing the colour of the fluorescent material, the material shall be illuminated by the CIE Standard Illuminant D65 (ISO 11664-2:2007(E)/CIE S 014-2/E:2006) and measured with a spectrophotometer in accordance with the provisions of publication CIE 15:2004, Recommendations on Colorimetry - second edition, either illuminated polychromatically or with a monochromator providing stepwise the CIE Standard Illuminant D 65 (ISO 11664-2:2007(E)/CIE S 014-2/E:2006). In the latter case, the stepwise resolution $\Delta\lambda$ shall be not larger than 10 nm. Alternatively similar "illuminants" are allowed, if verified that the colorimetric measuring procedure is of the same sufficient accuracy, meaning that the quality of the simulation of D65 shall be assessed by the method described in ISO 23603:2005(E)/CIE S 012/E:2004. The spectral distribution of the illuminant shall be in category BC (CIELAB) or better. The illumination shall be carried out circumferential at an angle 45° to the normal and viewed along the normal (annular geometry 45/0) (circumferential/normal geometry), as described in Annex 10 to this Regulation.
3. Determination of the luminance factor of the fluorescent material
- 3.1. For the determination of the luminance factor the sample shall be tested for advance warning triangle of
- (a) Type 1 with the same method as described in paragraph 2.2.1 of this annex and
- (b) Type 2 with the same method as described in paragraph 2.2.2. of this annex.
- 3.1.1 By putting the luminance L of the sample into relation to the luminance L_o of a perfect diffuser whose luminance factor β_o is known under identical conditions of illumination and observation; the luminance factor β of the sample then results from the formula:

$$\beta = \frac{L}{L_o} \cdot \beta_o$$

- 3.1.2. When the colour of the fluorescent material has been colorimetrically determined in compliance with paragraph 2.2. above, from the ratio of the tristimulus value Y the sample and the tristimulus value of the perfect diffuser Y_0 ; in this case it is:

$$\beta = \frac{Y}{Y_0}$$

4. Measurement of the value of the CIL of retro-reflecting devices
- 4.1. For this measurement it is assumed that the direction of illumination $H = V = \theta$ for the advance warning triangle in its position of use is parallel to the base plane and vertical to the lower side of the triangle, which in turn is parallel to the said base plane.
- 4.2. The measurement shall be performed by the method described in Annex 6 to this Regulation.
5. Test of clearance to ground
- 5.1. The advance warning triangle shall be required to pass the following tests:
- 5.1.1. For this test, the apparatus shown in Annex 3, Figure 2, to this Regulation, which has the form of an inverted hollow pyramid, shall be placed on a horizontal base plane.
- 5.1.2. The individual supports to the ground shall be placed one after another in the square hole σ of the test apparatus. During the test of each support, it shall be required to find a position of the test apparatus in relation to the advance warning triangle and its supporting device, which is favourable for the triangle and which ensures that:
- 5.1.2.1. All supports are resting simultaneously on the base plane,
- 5.1.2.2. Outside the area covered by the test apparatus, the distance between the base plane and parts of the triangle as well as of the supporting device is at least 50 mm (with the exception of the supports proper).
6. Mechanical solidity test
- 6.1. When the advance warning triangle has been set up as required by the manufacturer and its bases are firmly held, a force of 2 N shall be applied to the apex of the triangle parallel to the supporting surface and normal to the lower side of the triangle.
- 6.2. The apex of the triangle shall not move more than 5 cm in the direction in which the force is exerted.
- 6.3. After the test, the position of the device shall not be significantly different from its original position.
7. Test of heat and low-temperature resistance
- 7.1. The advance warning triangle, in its protective cover, if provided, shall be kept for 12 consecutive hours in a dry atmosphere at a temperature of $60\text{ }^{\circ}\text{C} \pm 2\text{ }^{\circ}\text{C}$.
- 7.2. After the test, no cracking or noticeable distortion of the device shall be visible; this applies in particular to the retro-reflecting device. The cover shall be readily openable and shall not adhere to the triangle.
- 7.3. After the heat-resistance test and subsequent storage for 12 consecutive hours at a temperature of $25\text{ }^{\circ}\text{C} \pm 5\text{ }^{\circ}\text{C}$, the advance warning triangle, in its protective cover, is to be kept for another 12 hours in a dry atmosphere at a temperature of $-40\text{ }^{\circ}\text{C} \pm 2\text{ }^{\circ}\text{C}$.

- 7.4. Immediately after removal from the cold room, no fractures or any visible distortion shall be noticeable on the device and especially on its optical parts. The protective cover, if provided, shall be properly openable, and it shall neither tear nor adhere to the advance warning triangle.
8. Water test
The triangle - collapsible advance warning triangles are to be assembled as for use - shall be immersed flat for two hours on the bottom of a tank containing water at $25\text{ }^{\circ}\text{C} \pm 5\text{ }^{\circ}\text{C}$, with the active face of the triangle showing upwards and being 5 cm under the surface of the water. The triangle shall then be removed and dried. No part of the device may exhibit clear signs of deterioration which might impair the effectiveness of the triangle.
9. Test of resistance to fuels
The triangle and its protective cover shall be immersed separately in a tank containing a mixture of 70 per cent n-heptane and 30 per cent toluene. After 60 seconds they shall be removed from the tank and drained of excess liquid. The triangle shall then be placed in its cover and the unit shall be laid flat in a still atmosphere. When completely dried, the triangle shall not adhere to its protective cover, and there shall be no visually noticeable change on its surface and shall not present apparent detrimental modifications; however, slight surface cracks may be tolerated.
10. Test of stability against wind
- 10.1. The advance warning triangle shall be set up in a wind tunnel, on a base measuring about 1.50 m by 1.20 m with a surface formed of abrasive material of the type P36 corresponding to the FEPA¹ specification 43-1-2006. This surface shall be characterised by its geometric roughness, $HS = 0.5\text{ mm} \pm 0.05\text{ mm}$, which shall be defined and determined by the so-called "sandy beach" method according to Annex 4 of this Regulation.
To avoid a laminar boundary layer of the incident flow over the surface of the base, this base shall have a splitter plate and shall be set up in such a way, that the flow is completely around the plate.
- 10.2. For the air flow the following conditions shall apply:
- (a) The air stream shall reach a dynamic pressure of 180 Pa; and shall have a flow field which shall be homogeneous and free of turbulence;
 - (b) The dimension of the flow field shall be such, that horizontally to each corner and vertical to the top of the advance warning triangle a clearance of at least 150 mm to the border line of this flow field shall exist;
 - (c) The air stream (flow field) shall be parallel to the supporting surface, in a direction which seems to be most unfavourable for the stability;
 - (d) In the case of a closed wind tunnel, the area of the advance warning triangle shall be not larger than 5 per cent of the area cross-section of the closed wind tunnel.
- 10.3. When set up in this manner, the advance warning triangle shall be subjected for 3 minutes to this open air stream.
- 10.4. The advance warning triangle shall neither overturn nor shift. Slight shifting of the points of contact with the road surface by not more than 5 cm, however, shall be allowed.
- 10.5. The retro-reflecting triangular part of the device shall not rotate through more than 10° round a horizontal axis or a vertical axis from its initial position. The

¹ FEPA: Federation of European Producers of Abrasives, 20 Avenue Reille, 75014 Paris, France.

rotation around the horizontal axis or the vertical axis shall be determined by the aid of a virtual plane at the initial position of the retro-reflecting triangular part of the device, which is orthogonal to the base and orthogonal to the air stream.

11. Test of resistance of the retro-reflecting device or fluorescent retro-reflecting material
 - 11.1. Test of resistance to penetration of water
 - 11.1.1. The triangle - collapsible triangles are to be assembled as for use - shall be immersed for 10 minutes in water having a temperature of $50\text{ }^{\circ}\text{C} \pm 5\text{ }^{\circ}\text{C}$, with the highest point of the upper part of the illuminating surface being about 20 mm below the water surface. Immediately afterwards, this retro-reflecting device shall be immersed under the same conditions in water having a temperature of $25\text{ }^{\circ}\text{C} \pm 5\text{ }^{\circ}\text{C}$.
 - 11.1.2. After this test, no water shall have penetrated to the reflecting surface of the retro-reflecting device. If a visual inspection clearly reveals the presence of water, the device has not passed the test. Water or water vapour penetration into the edges of fluorescent retro-reflecting materials shall not be deemed to indicate failure.
 - 11.1.3. If the visual inspection does not reveal the presence of water, or in case of doubt the value of the CIL shall again be measured under the same conditions as specified in paragraph 1.2. above, after the retro-reflecting device has been gently shaken to remove excess water from the outside. The CIL shall not have diminished by more than 40 per cent of the values recorded before the test.
 - 11.2. Test of resistance of the accessible reverse side of the mirror-backed retro-reflecting device

The reverse side of the retro-reflecting device shall be brushed with a hard nylon brush and then covered or thoroughly wetted for one minute with a mixture of 70 per cent n-heptane and 30 per cent toluene. The fuel shall then be removed and the device allowed to dry. As soon as evaporation is completed, the reverse side shall be brushed with the same brush as before. The value of the CIL shall then be measured under the same conditions as specified in paragraph 1.2. above, after the whole surface of the mirror-coated reverse side has been covered with Indian ink. The CIL shall not have diminished by more than 40 per cent of the values recorded before the test. This test is not applicable for fluorescent retro-reflecting material.
12. Test of the weather-resistance of the luminance factor and of the colour of the fluorescent (advance warning triangle of type 1) and fluorescent retro-reflecting (advance warning triangle of type 2) materials.
 - 12.1. One of the samples of the fluorescent material submitted according to paragraph 3.5. of this Regulation shall be subjected to a temperature and irradiation test described in Annex 9 to this Regulation until the contrast No. 4 of the grey scale has been reached for the reference sample No. 5 or the light exposure equivalents for blue wool light fastness references sample No. 5 to fade to the grey scale 4 for exposure by a Xenon-arc lamp has been reached.
 - 12.2. After this test, the colour co-ordinates of the fluorescent material shall comply with colour specification in paragraph 7.2.2.2. of this Regulation. The luminance factor (see paragraph 3. above) shall comply with paragraph 7.2.2.3. of this Regulation and shall not have increased by more than 5 per cent compared with the value ascertained according to paragraph 1.7.2. above
 - 12.3. The sample shall not exhibit any visible damage such as cracks, scaling or peeling of the fluorescent or of the fluorescent retro-reflecting material.

- 12.4. If the fluorescent material is an adhesive film which had already successfully passed the above-mentioned tests in a previous approval test, the test need not be repeated; a corresponding note shall be entered under item 12 ("Remarks") in the communication concerning approval (Annex 1 to this Regulation).

Annex 6

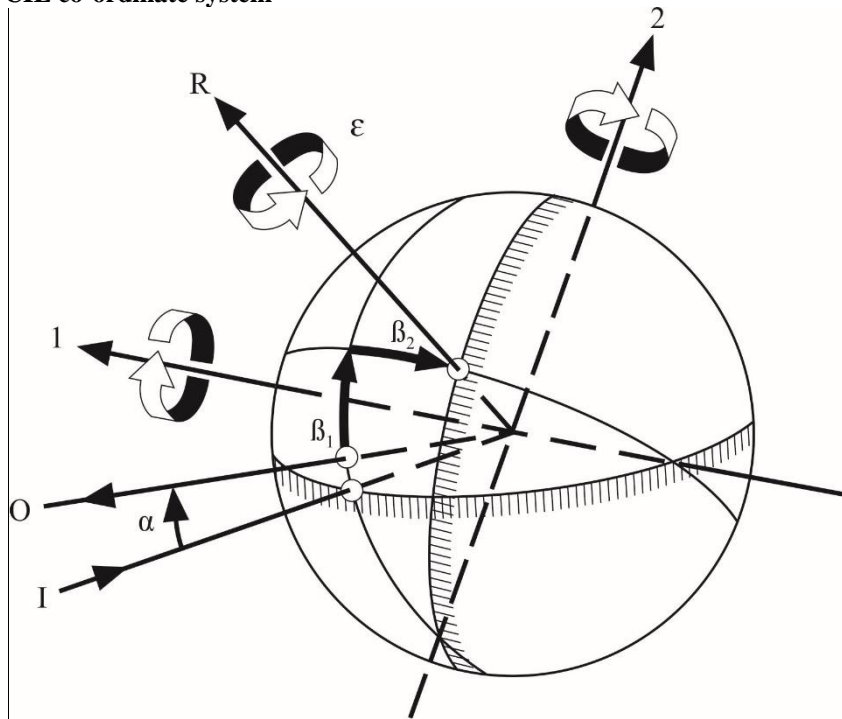
Method for measurement of the CIL of retro-reflecting devices and fluorescent retro-reflecting materials

1. Definitions
Needed definitions are explained by Figures 1 to 4.
2. Dimensional and physical specifications for the photometry of retro-reflectors
 - 2.1. The CIE-angular system as shown in Figure 1 shall be used.
An adequate support (goniometer) is demonstrated in Figure 2.
 - 2.2. The measuring distance shall be chosen in such an order that at least the limits for the angles δ , γ and η given in Figure 4 are respected, but not lower than 10 m or its optical equivalent.
 - 2.3. The illuminance at the retro-reflector
The illuminance over the useful area of the retro-reflector, measured perpendicular to the incident light shall be sufficiently uniform. A check on this condition requires a measuring element, the sensitive area of which is not greater than one-tenth of the area to be examined. The variation in the value of the illuminance shall then comply with the condition:
$$\frac{\text{maximum value}}{\text{minimum value}} \leq 1.05$$
 - 2.4. The colour temperature and the spectral distribution of the source
The source used for illuminating the retro-reflector shall as faithfully as possible represent the CIE illuminant A, both as regards colour temperature and spectral power distribution.
 - 2.5. The photometer head (measuring element)
 - 2.5.1. The photometer head shall be corrected to the spectral luminous efficiency for the CIE standard photometric observer in photopic vision.
 - 2.5.2. The device shall not show a perceptible change in local sensitivity within the area of its aperture; otherwise suitable provisions shall be added, e.g. the application of a diffusing window at a certain distance in front of the sensitive surface.
 - 2.5.3. Experience has shown that non-linearity of photometer heads may be a problem with the very small light quantities which are the rule in the photometry of retro-reflectors. A check at comparable illuminance levels on the photometer head is recommended.
 - 2.6. The influence of a regular reflection
The amount and distribution of the regular reflection from the surface of the retro-reflector depends on the flatness and the gloss of the surface. In general, regular reflection is best avoided when the reference axis is placed so that the regular reflection is directed on the opposite side of the source from the photometer head (for example with $\beta_1 = -5^\circ$).
3. Measurement precautions in the photometry of retro-reflection
 - 3.1. Residual and stray light
 - 3.1.1. Since very low light levels are to be measured special precautions are needed to minimize errors due to stray light. The background to the sample and the framework of the sample holder should be matt black and the field of view of

the photometer head and the spread of light from both the sample and the source should each be restricted as much as possible.

- 3.1.2. Reflections from the floor and walls which occur over the relatively long test distances used shall be screened from both the sample and the photometer head by baffles. The importance of looking from the photometer head to check for sources of stray light cannot be over emphasized.
- 3.1.3. A valuable aid to reducing the amount of stray light in the laboratory is to use a slide projector type of optical system for the light source. With this, an iris diaphragm or suitable sized apertures may be used in the optical system to restrict the illuminated area at the sample to the minimum size needed to provide uniform illuminance over the sample.
- 3.1.4. Residual stray light should always be allowed for by measuring it when the sample is covered by an opaque matt black surface, zigzag folded black paper of the same size and shape or a specular black surface suitably oriented with a light trap. This value should be subtracted from that measured on the retro-reflector.
- 3.2. Stability of the apparatus
 - 3.2.1. The light source and photometer head should remain stable throughout the period of the test. Since the sensitivity and the adaptation to the $V(\lambda)$ function of most photometer heads change with temperature, the laboratory ambient temperature should not vary significantly during this period. Sufficient time should always be allowed for the apparatus to stabilize before commencing measurements.
 - 3.2.2. The power supply to the light source should be adequately stabilized so that the luminous intensity of the lamp can be maintained throughout the test to within the required accuracy for the work.
 - 3.2.3. A useful check on the overall stability of the reflex photometer during a series of tests is to make periodic measurements of CIL values of a stable reference standard.
 - 3.2.4. Another technique is to incorporate in the apparatus an auxiliary detector to check or monitor the output of the light source. Although the output from the auxiliary detector can be checked for any change in reading, a useful refinement is to use the output to alter electronically the sensitivity of the main reflex photometer head and compensate automatically for changes in the light output of the source.

Figure 1
 The CIE co-ordinate system

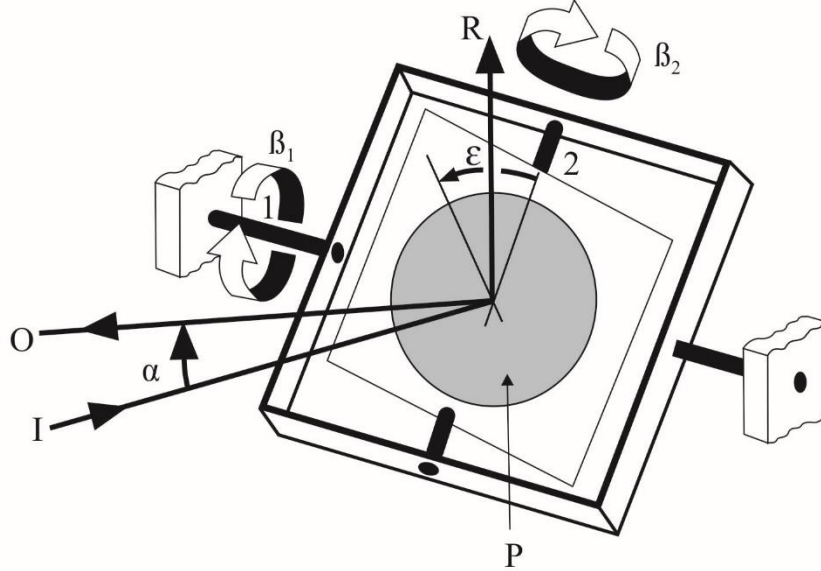


- | | | |
|----------------|----------------------|--------------------------------------|
| 1: First axis | I: Illumination Axis | α : Observation angle |
| 2: Second axis | O: Observation axis | β_1, β_2 : Entrance angles |
| | R: Reference axis | ϵ : Rotation angle |

The CIE angular system for specifying and measuring retro-reflectors. The first axis is perpendicular to the plane containing the observation axis and the illumination axis. The second axis is perpendicular both to the first axis and to the reference axis. All axes, angles, and directions of rotation are shown positive.

- Notes: (a) The principle fixed axis is the illumination axis.
 (b) The first axis is fixed perpendicular to the plane containing the observation and illumination axis.
 (c) The reference axis is fixed in the retro-reflector and moveable with β_1 and β_2 .

Figure 2
Goniometer mechanism embodying the CIE angular system



- | | | |
|----------------|------------------------------|--------------------------------------|
| 1: First axis | I: Illumination Axis | α : Observation angle |
| 2: Second axis | O: Observation axis | β_1, β_2 : Entrance angles |
| | R: Reference axis | ϵ : Rotation angle |
| | P: Retro-reflective material | |

Representation of a goniometer mechanism embodying the CIE angular system for specifying and measuring retro-reflectors. All angles and directions of rotation are shown positive.

Figure 3

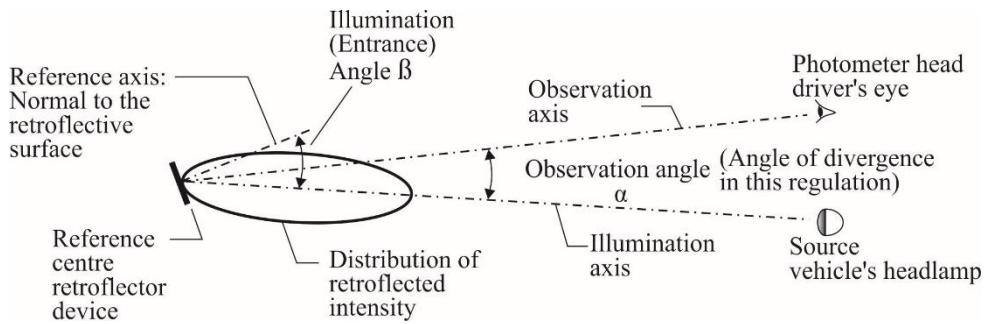
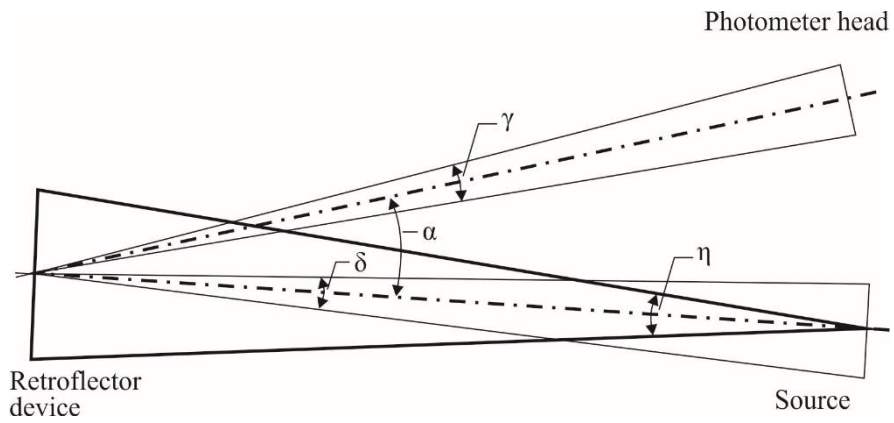


Figure 4



For the purpose of this Regulation, the following limits are set up:

$$\delta \leq 10'$$

$$\gamma \leq 10'$$

$$\eta \leq 80'$$

Annex 7

Minimum requirements for conformity of production control procedures

1. General
 - 1.1. The conformity requirements shall be considered satisfied from a mechanical and geometric standpoint, if the differences do not exceed inevitable manufacturing deviations within the requirements of this Regulation.
 - 1.2. With respect to photometric performances, the conformity of mass produced advance warning triangles shall not be contested if, when testing photometric performances of any advance warning triangle chosen at random no measured value deviates unfavourably by more than 20 per cent from the minimum values prescribed in this Regulation.
 - 1.3. The chromaticity coordinates shall be complied with.
2. Minimum requirements for verification of conformity by the manufacturer

For each type of advance warning triangle the holder of the approval mark shall carry out at least the following tests, at appropriate intervals. The tests shall be carried out in accordance with the provisions of this Regulation. If any sampling shows non-conformity with regard to the type of test concerned, further samples shall be taken and tested. The manufacturer shall take steps to ensure the conformity of the production concerned.

 - 2.1. Nature of tests

Tests of conformity in this Regulation shall cover the photometric and colorimetric characteristics, the test of weather resistance of these characteristics and the resistance to penetration of water.
 - 2.2. Methods used in tests
 - 2.2.1. Tests shall generally be carried out in accordance with the methods set out in this Regulation.
 - 2.2.2. In any test of conformity carried out by the manufacturer, equivalent methods may be used with the consent of the competent authority responsible for approval tests. The manufacturer is responsible for proving that the applied methods are equivalent to those laid down in this Regulation.
 - 2.2.3. The application of paragraphs 2.2.1. and 2.2.2. above. requires regular calibration of test apparatus and its correlation with measurements made by a competent authority.
 - 2.2.4. In all cases the reference methods shall be those of this Regulation, particularly for the purpose of administrative verification and sampling.
 - 2.3. Nature of sampling

Samples of advance warning triangles shall be selected at random from the production of a uniform batch. A uniform batch means a set of advance warning triangles of the same type, defined according to the production methods of the manufacturer.

The assessment shall in general cover series production from individual factories. However, a manufacturer may group together records concerning the same type from several factories, provided these operate under the same quality system and quality management.
 - 2.4. Measured and recorded photometric characteristics

The sampled advance warning triangle shall be subjected to photometric measurements at the points and the chromaticity coordinates provided for in the Regulation.

2.5. Criteria governing acceptability

The manufacturer is responsible for carrying out a statistical study of the test results and for defining, in agreement with the Type Approval Authority, criteria governing the acceptability of his products in order to meet the specifications laid down for verification of conformity of products in paragraph 10.1. of this Regulation.

The criteria governing the acceptability shall be such that, with a confidence level of 95 per cent, the minimum probability of passing a spot check in accordance with Annex 8 (first sampling) would be 0.95.

Annex 8

Minimum requirements for sampling by an inspector

1. General
 - 1.1. The conformity requirements shall be considered satisfied from a mechanical and a geometric standpoint, in accordance with the requirements of this Regulation, if any, if the differences do not exceed inevitable manufacturing deviations.
 - 1.2. With respect to photometric performance, the conformity of mass produced advance warning triangles shall not be contested if, when testing photometric performances of any advance warning triangle chosen at random:
 - 1.2.1. No measured value deviates unfavourably by more than 20 per cent from the minimum values prescribed in this Regulation.
 - 1.2.2. Advance warning triangles with apparent defects are disregarded.
 - 1.3. The chromaticity coordinates shall be complied with.
2. First sampling

In the first sampling four advance-warning triangles are selected at random. The first sample of two is marked A, the second sample of two is marked B.

 - 2.1. The conformity of mass-produced advance-warning triangles shall not be contested if the deviation of any specimen of samples A and B (all four advance-warning triangles) is not more than 20 per cent.

In the case that the deviation of both advance-warning triangles of sample A is not more than 0 per cent, the measurement can be closed.
 - 2.2. The conformity of mass-produced advance-warning triangles shall be contested if the deviation of at least one specimen of samples A or B is more than 20 per cent.

The manufacturer shall be requested to bring his production in line with the requirements (alignment) and a repeated sampling according to paragraph 3. below shall be carried out within two months' time after the notification. The samples A and B shall be retained by the Technical Service until the entire CoP process is finished.
3. First repeated sampling

A sample of four advance-warning triangles is selected at random from stock manufactured after alignment;

The first sample of two is marked C, the second sample of two is marked D.

 - 3.1. The conformity of mass-produced advance-warning triangles shall not be contested if the deviation of any specimen of samples C and D (all four advance-warning triangles) is not more than 20 per cent.

In the case that the deviation of both advance-warning triangles of sample C is not more than 0 per cent, the measurement can be closed.
 - 3.2. The conformity of mass-produced advance-warning triangles shall be contested if the deviation of at least:
 - 3.2.1. One specimen of samples C or D is more than 20 per cent but the deviation of all specimens of these samples is not more than 30 per cent.

The manufacturer shall be requested again to bring their production in line with the requirements (alignment).

A second repeated sampling according to paragraph 4. below shall be carried out within two months' time after the notification. The samples C and D shall be retained by the Technical Service until the entire CoP process is finished.

- 3.2.2. One specimen of samples C and D is more than 30 per cent.
- In this case the approval shall be withdrawn and paragraph 5. below shall be applied.
4. Second repeated sampling
- A sample of four advance-warning triangles, is selected at random from stock manufactured after alignment.
- The first sample of two is marked E, the second sample of two is marked F.
- 4.1. The conformity of mass-produced advance-warning triangles shall not be contested if the deviation of any specimen of samples E and F (all four advance-warning triangles) is not more than 20 per cent.
- In the case that the deviation of both advance-warning triangles of sample E is not more than 0 per cent, the measurement can be closed.
- 4.2. The conformity of mass-produced advance-warning triangles shall be contested if the deviation of at least one specimen of samples E or F is more than 20 per cent.
- In this case the approval shall be withdrawn and paragraph 5. below shall be applied.
5. Approval withdrawn
- Approval shall be withdrawn according to paragraph 9. of this Regulation.
6. Additional Tests
- With respect to the verification of the normal use the following procedures shall be applied:
- One additional advance-warning triangle shall be tested according to the procedures described in paragraph 1.5.3. to 1.8.3. of Annex 5.
- The advance-warning triangles shall be considered as acceptable if the tests have been passed.
- However, if the test on this sample is not complied with, the two other additional advance-warning triangles shall be subjected to the same procedure and both shall pass the test.

Annex 9

Colour fastness to artificial light Xenon-arc lamp test

1. Scope

This annex specifies a method intended for determining the resistance of the colour of test samples of all kinds and in all forms to the action of an artificial light source representative of natural daylight (D65).
2. Principle

A specimen of the test samples to be tested is exposed to artificial light under prescribed conditions, along with a blue wool reference as specified.
3. Reference materials

The colour fastness ratings mentioned in this annex are obtained by comparison unexposed with exposed specified blue wool references for verification of the radiation dose as a required maximum contrast in this Regulation.
- 3.1. Blue wool references developed and produced in Europe are identified by the numerical designation 1 to 8. These references are blue wool cloths dyed with the dyes listed in Table 1. For the test procedure of this Regulation described by this annex, only the blue wool references 5 and 7 will be applied as described in Table 1 below.

Table 1
Dyes for blue wool references 5 and 7

<i>Reference</i>	<i>Dye (Colour Index designation)¹</i>
5	CI Acid Blue 47
7	CI Solubilised Vat Blue 5

¹ The Colour Index (third edition) is published by The Society of Dyers and Colourists, P.O. Box 244, Perkin House, 82 Grattan Road, Bradford BD1 2JB, UK, and by The American Association of Textile Chemists and Colorists, P.O. Box 12215, Research Triangle Park, NC 27709-2215, USA.

4. Grey scale

The grey scale for determining changes in colour of test samples in colour fastness tests. A precise colorimetric specification of the scale is given in Appendix 1 to this annex.
- 4.1. The use of the scale is described in paragraph 2. of Appendix 1 to this annex.
5. Xenon-arc lamp apparatus

The apparatus shall be either an air-cooled or water-cooled Xenon-arc weathering device capable of exposing samples in accordance with EN ISO 4892-2.
- 5.1. The exposure conditions shall comply with the specifications in the Table 2 below.

Table 2
Artificial weathering test parameters

<i>Exposure parameters</i>	<i>Air-cooled lamp</i>	<i>Water-cooled lamp</i>
Light/dark/water spray cycle	Continuous light without water spray	Continuous light without water spray
Black standard temperature during light only periods	(47 ± 3) °C using a black standard thermometer	(47 ± 3) °C using a black standard thermometer
Relative humidity	Approximately 40 %	Approximately 40 %
Filters	Window glass filters Specifications see paragraph 5.2 below	Window glass filters Specifications see paragraph 5.2 below
<i>Irradiance (W/m²) controlled at:</i>		
Over 300 nm to 400 nm range	42 ± 2	42 ± 2
Over 300 nm to 800 nm range	550	630

Note 1: Water used for the specimen spray should contain no more than 1 ppm silica. Higher levels of silica can produce spotting on samples and variability in results. Water of the required purity can be obtained by distillation or by a combination of deionization and reverse osmosis.

Note 2: While irradiance levels should be set at the above levels, variations in filter ages and transmissivity, and in calibration variations, will generally mean that irradiance error will be in the order of ±10 per cent.

5.2 Light source

The light source shall consist of a xenon arc lamp of correlated colour temperature 5,500 K to 6,500 K, the size of which will depend on the type of apparatus used. The xenon-arc lamp shall use filters that provide a reasonable simulation of solar radiation filtered by typical window glass. Table 3 gives the relative spectral irradiance requirements for the filtered xenon-arc. It is the responsibility of the supplier of the exposure device to provide necessary certification that the filters that they supply for use in the exposure tests described in this standard meets the requirements of Table 3.

Table 3
Relative spectral irradiance requirements for window glass filters ^{a, b, c, d, e} used for the Xenon-arc devices used in this standard.

<i>Spectral bandpass Wavelength λ in nm</i>	<i>Minimum %^c</i>	<i>CIE No.85, Table 4 plus window glass %^{d, e}</i>	<i>Maximum %^c</i>
1 < 300			0.29
300 $\leq \lambda \leq$ 320	0.1	≤ 1	2.8
320 < $\lambda \leq$ 360	23.8	33.1	35.5
360 < $\lambda \leq$ 400	62.4	66.0	76.2

^a Data in Table 3 is the irradiance in the given bandpass expressed as a percentage of the total irradiance from 290 nm to 400 nm. To determine whether a specific filter or set of filters for a Xenon-arc meets the requirements of Table 3, the spectral irradiance from 250 nm to 400 nm shall be measured. The total irradiance in each wavelength bandpass is then summed and divided by the total irradiance from 290 nm to 400 nm.

^b The minimum and maximum data in Table 3 are based on more than 30 spectral irradiance measurements for water and air cooled Xenon-arcs with window glass filters of various lots and ages. Spectral irradiance data is for filters and Xenon-burners within the ageing recommendations of the device manufacturer. As more spectral irradiance data become available, minor changes in the limits are possible. The minimum and maximum data are at least the three sigma limits from the mean for all measurements.

^c The minimum and maximum columns will not necessarily sum to 100 per cent because they represent the minimum and maximum for the data used. For any individual spectral irradiance, the calculated percentage for the bandpasses in Table 3 will sum to 100 per cent. For any individual Xenon-arc lamp with window glass filters, the calculated percentage in each bandpass shall fall within the minimum and maximum limits of Table 2. Test results can be expected to differ between exposures using Xenon-arc devices in which the spectral irradiance differ by as much as that allowed by the tolerances. Contact the manufacturer of the Xenon-arc devices for specific spectral irradiance data for the Xenon-arc and filters used.

^d The data from Table 4 in CIE No. 85 [1] plus window glass was determined by multiplying the CIE No. 85, Table 4 data by the spectral transmittance of 3 mm thick window glass (see ISO 11341 [2]). These data are target values for Xenon-arc with window glass filters.

^e For the CIE 85 Table 4 plus window glass, the UV irradiance from 300 nm to 400 nm is typically about 9 per cent and the visible irradiance (400 nm to 800 nm) is typically about 91 per cent when expressed as a percentage of the total irradiance from 300 nm to 800 nm. The percentages of UV and visible irradiances on samples exposed in Xenon-arc devices may vary due to the number and reflectance properties of specimens being exposed.

5.3. Light exposure equivalents for blue wool light fastness references for exposure by a Xenon-arc lamp

Table 4
Blue wool reference

<i>Blue wool reference</i>		<i>420 nm</i>	<i>300 nm–400 nm</i>
No.		<i>kJ/m²</i>	<i>kJ/m²</i>
5	L6	340	13824
7	L8	1360	55296
For colour change of step 4 on the grey scale			

6. Procedure (blue wool references)
- 6.1 Place the test samples mounted on the holders in the apparatus and expose them continuously to weathering following the method described below.
- 6.2 At the same time expose the blue wool references mounted on card-board, cover one-third of each.

- 6.3 Only one side of the test samples shall be exposed to weathering and light.
- 6.4 While the specimens are drying, the air in the test chamber shall not be moistened.
- Note:* The actual conditions of the weathering test depend on the kind of test apparatus used.
- 6.5. Before mounting the tested specimens for assessment, dry them in air at a temperature not exceeding 60 °C.
- 6.6. Trim and mount the exposed blue wool reference so that they measure at least 15 mm x 30 mm, one on each side of a portion of the original which has been trimmed to the same size and shape as the specimens.
- 6.7. Unexposed samples of original fabric identical to those being tested are required as references for comparison with the specimens during weathering.

Annex 9 - Appendix 1

Definition of the grey scale

This section describes the grey scale for determining changes in colour of test samples in colour fastness tests, and its use. A precise colorimetric specification of the scale is given as a permanent record against which newly prepared working standards and standards that may have changed can be compared.

1. The essential, or 5-step, scale consists of five pairs of non-glossy grey colour chips (or swatches of grey cloth), which illustrate the perceived colour differences corresponding to fastness ratings 5, 4, 3, 2 and 1. This essential scale may be augmented by the provision of similar chips or swatches illustrating the perceived colour differences corresponding to the half-step fastness ratings 4-5, 3-4, 2-3 and 1-2, such scales being termed 9-step scales. The first member of each pair is neutral grey in colour and the second member of the pair illustrating fastness rating 5 is identical with the first member. The second members of the remaining pairs are increasingly lighter in colour so that each pair illustrates increasing contrasts or perceived colour differences which are defined colorimetrically. The full colorimetric specification is given below:
 - 1.1. The chips or swatches shall be neutral grey in colour and shall be measured with a spectrophotometer with the specular component included. The colorimetric data shall be calculated using CIE standard colorimetric system for Illuminant D65;
 - 1.2. The Y tristimulus value of the first member of each pair shall be 12 ± 1 ;
 - 1.3. The second member of each pair shall be such that the colour difference between it and the adjacent first member is as follows.

Table 1
CIELab difference in relation to the fastness grade

<i>Fastness grade</i>	<i>CIELab difference</i>	<i>Tolerance</i>
5	0	0.2
(4-5)	0.8	± 0.2
4	1.7	± 0.3
(3-4)	2.5	± 0.35
3	3.4	± 0.4
(2-3)	4.8	± 0.5
2	6.8	± 0.6
(1-2)	9.6	± 0.7
1	13.6	± 1.0

Note 1: Bracketed values apply only to the 9-step scale.

Note 2: Use of the scale:

Place a piece of the original blue reference and the exposed specimen of it side by side in the same plane and oriented in the same direction. Place the grey scale nearby in the same plane. The surrounding field should be neutral grey colour approximately midway between that illustrating grade 1 and that illustrating grade 2 of the grey scale for assessing change in colour (this is approximately Munsell N5). Illuminate the surfaces with north sky light in the Northern hemisphere, south sky light in the Southern hemisphere, or an equivalent source with an illumination of 600 lx or more. The light should be incident upon the surfaces at approximately 45°, and the direction of viewing approximately perpendicular to the plane of the surfaces. Compare the visual difference between original and exposed blue standard with the differences represented by the grey scale.

If the 5-step scale is used, the fairness rating of the specimen is that number of the grey scale which has a perceived colour difference equal in magnitude to the perceived colour difference between the original and the treated specimens; if the latter is judged to be nearer the imaginary contrast lying midway between two adjacent pairs than it is to either, the specimen is given an intermediate assessment, for example 4-5 or 2-3. A rating of 5 is given only when there is no perceived difference between the tested specimen and the original material.

If the 9-step scale is used, the fairness rating of the specimen is that number of the grey scale which has a perceived colour difference nearest in magnitude to the perceived colour difference between the original and the tested specimens. A rating of 5 is given only when there is no perceived difference between the tested specimen and the original material.

Annex 10

Description of the measurement geometry for measurement of the colour and the luminance factor of fluorescent retro-reflective materials

Micro-prismatic materials show the phenomenon of "flares" or "sparkles" (Note 1), which might influence the measured results unless special precautions are taken. A reference method, using the wider apertures of the CIE 45°a:0° (or 0°:45°a) geometry is introduced in paragraph 12. of Annex 5 to this Regulation.

Ideally, the measurements shall be made using the CIE 45°a:0° (or 0°:45°a), called the forty-five annular / normal geometry (or the normal/ forty-five annular geometry) defined in CIE 15 (see paragraph 12. of Annex 5.) The measurement area shall be minimum 4.0 cm².

For this geometry CIE 15 recommends that:

- (a) The sampling aperture be irradiated uniformly from all directions between two circular cones with their axes normal to the sampling aperture and apices at the centre of the sampling aperture, the smaller of the cones having a half angle of 40° and the larger of 50° ;
- (b) The receiver uniformly collects and evaluates all radiation reflected within a cone with its axis on the normal to the sampling aperture, apex at the centre of the sampling aperture, and a half angle of 5°.

The annular geometry can be approximated by the use of a number of light sources in a ring or a number of fibre bundles illuminated by a single source and terminated in a ring to obtain the CIE 45°c:0° (circumferential / normal geometry) (Note 2, Note 3).

An alternative manner of approximation is to use a single light source, but rotate the sample during measurement with a rotational speed that ensures that a number of revolutions takes place during the exposure time interval for a measurement so that all wavelengths are given equal weight (Note 2, Note 3).

In addition, the apertures of the light source and the receiver shall have sufficient dimensions in proportion to distances to ensure a reasonable compliance with the above-mentioned recommendations.

Note 1: "Flares" or "sparkles" are caused by characteristic paths of rays that enter and leave the sheeting surface at different angles. A characteristic path will dominate by raising the luminance factor value significantly and possibly distorting the chromaticity co-ordinates if it is included within narrow beams of illumination and measurement. However, the average contribution to the daylight reflection is normally small.

Note 2: In practice the recommendations can be approximated only. The important issue is that the annular principle is applied and that illumination and collection occur in directions forming fairly large solid angles, as this will reduce the influence of the above-mentioned "sparkles" of micro-prismatic materials and of other variations with the precise geometry shown by some of these materials.

Note 3: In spite of such precautions, the practical difficulties of establishing the annular geometry in accordance with the recommendations introduce uncertainty of measurement.