

STATUS REPORT OF THE  
INFORMAL WORKING GROUP ON  
SAFER TRANSPORT OF CHILDREN IN BUSES AND  
COACHES  
(IWG-STCBC)

---

CHAIR: MARTA ANGLÈS , SPAIN

SECRETARY: COSTANDINOS VISVIKIS, CLEPA

# INFORMAL WORKING GROUP

Lasts meeting

19<sup>th</sup> IWG-STCBC meeting

Date: 4<sup>th</sup> March 2024

Location: Online

Next meeting

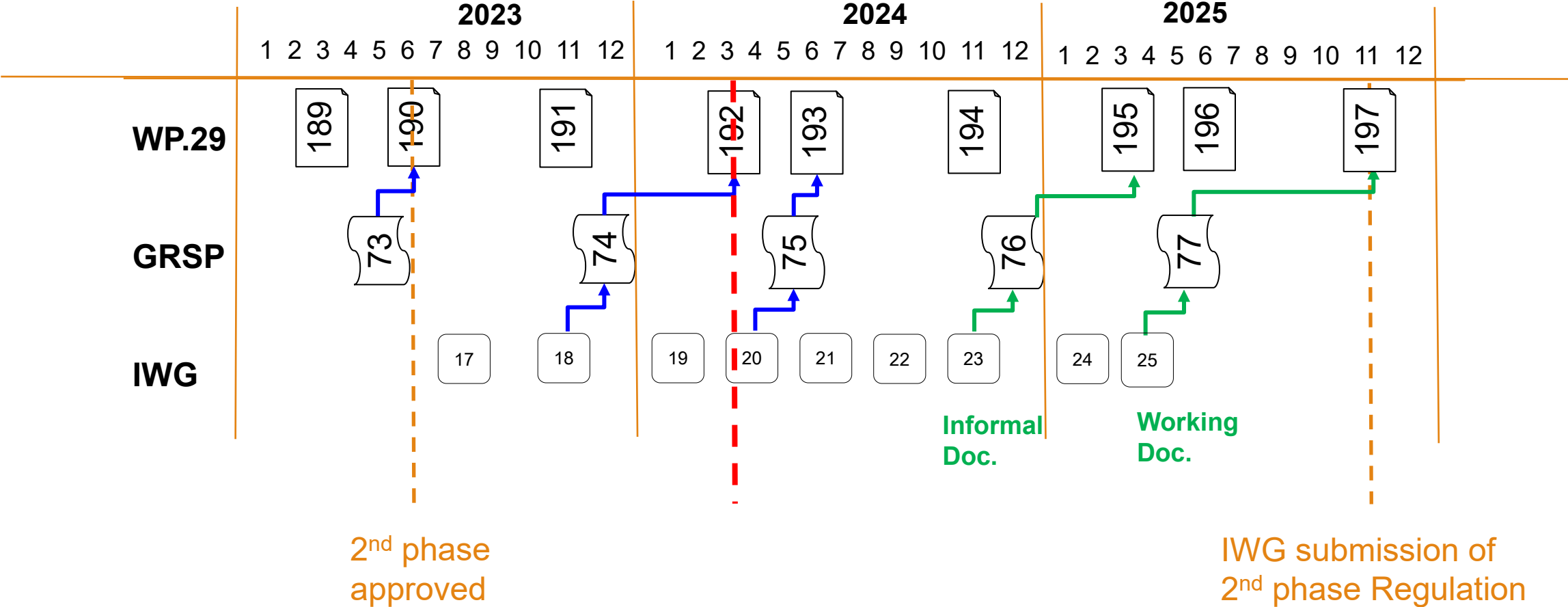
20<sup>th</sup> IWG-STCBC meeting

Date: 8<sup>th</sup> May 2024

Location: Helmond, Tass International

# TIMELINE

## Plan and Schedule



# SUMMARY OF THE NEW UN REGULATION

Time line	GRSP- May 2025 WP.29 – November 2025
Objective	No ejection of the children. Good retention in the seat
Phase 1	a: CRS approved according to R-129 with 3-point belt and or ISOFIX b: Built in systems
Phase 2	CRS in combination with 2-point belts

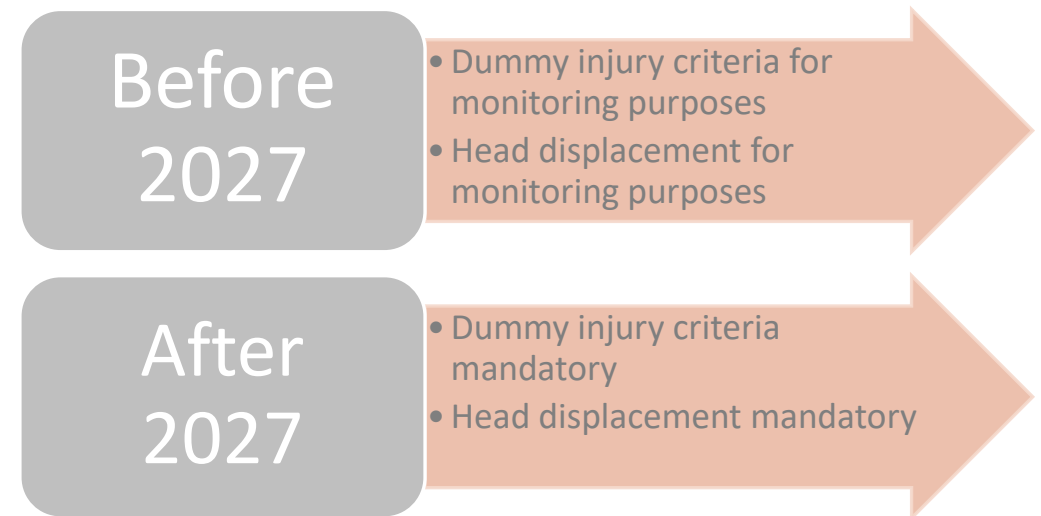
# KEY ELEMENTS

- Test configurations: Frontal impact and rollover
- Retention system: 2-point belt
- Consideration of the CRS: R-129 approved CRS + additional new UN Regulation approval



# DECISIONS DONE

- Construction of the bus will not be modified.
- Separate components on the CRS for installation will not be allowed.
- Tests results:
  - 1<sup>st</sup> step: Dummy injury criteria for monitoring purposes only
  - 2<sup>nd</sup> step: Dummy injury criteria mandatory from 2027



# ONGOING

- Test procedure:
  - Test bench (UN R129) / Real bus seat
- Labeling.
- Minimum characteristics necessary for the installation of the CRS in the bus seat:
  - Length of Seat belt.
  - Distance between lower anchorages points
  - Length of the support leg



# NEXT STEPS

- Tests comparison:
  - Tests to be done in the UN R129 test bench
  - Tests to be done in a bus seat with
- Workshop:
  - Installation of CRS in the bus/coach.



THANK YOU FOR YOUR ATTENTION