

Distr.
GENERAL

TRANS/WP.29/GRSG/2002/12
7 August 2002

Original: ENGLISH

ECONOMIC COMMISSION FOR EUROPE

INLAND TRANSPORT COMMITTEE

World Forum for Harmonization of Vehicle Regulations (WP.29)

Working Party on General Safety Provisions (GRSG)
(Eighty-third session, 15-18 October 2002,
agenda item 3.)

PROPOSAL FOR DRAFT 01 SERIES OF AMENDMENTS TO REGULATION No. 107
(M2 and M3 vehicles)

Transmitted by the expert from the International Organization of
Motor Vehicles Manufacturer (OICA)

Note: The text reproduced below was prepared by the expert from OICA in order to merge the requirements of Regulations Nos. 36, 52 and 107, together with European Community Directive 2001/85/EC. WP.29 has recommended that the new document should be based on Regulation No. 107 as a revision of it. This document is based on a document distributed without a symbol (informal document No. 10) during the eighty-second GRSG session. Due to the extent of the amendments, the document has been elaborated as a Revision to the Regulation. The amended text of the Regulation is marked in **bold** characters.

Note: This document is distributed to the Experts on General Safety Provisions only.

INTRODUCTORY NOTE

In February 2002, the European Union published Directive 2001/85/EC covering the general construction of all Classes of M2 and M3 vehicles.

Drafting of this Directive began in 1989 as a merger of Regulations Nos. 36, 52, 66 and an early draft of 107. Whilst the content of Regulation No. 66 (other than its scope of application) remained the same in both EU and UN/ECE, development of Regulations Nos. 36, 52 and 107 and the equivalent EU text continued to develop along different, but complementary, lines.

The text developed by OICA sets out to re-merge the UN/ECE and EU texts into a single consistent text reflecting the decisions taken over the intervening period in both fora.

Instead of fully incorporating Regulation No. 66 (as in 2001/85/EC), the question of superstructure strength is dealt with by a reference to that Regulation.

The proposal also includes the model of an information document, in accordance with the precedent set by Regulation No. 83.

With that exception, in preparing this proposal, OICA has sought to be consistent for each section with the latest texts adopted by the GRSG and/or by the EU, with only the minimum of editing essential to produce a coherent document.

There are three additional documents associated with this draft:

1. Consequential amendments to Regulation No. 36.
1. Consequential amendments to Regulation No. 52.
3. OICA proposals for further improvement of the text other than those essential for the process of consolidation.

Regulation No. 107

UNIFORM PROVISIONS CONCERNING THE APPROVAL
OF **CATEGORY M2 OR M3** VEHICLES WITH REGARD
TO THEIR GENERAL CONSTRUCTION

Table of contents

PARAGRAPHS

1. Scope
2. Definitions
3. Application for approval
4. Approval
5. **Requirements**
6. Modification and extension of approval of a vehicle type
7. Conformity of production
8. Penalties for non-conformity of production
9. Production definitely discontinued
10. Transitional provisions
11. Names and addresses of technical services conducting approval tests,
and of administrative departments
12. Remarks concerning permissible axle loads or total vehicle mass

ANNEXES

Annex 1

ECE Type-approval documentation

Part I - Model Information document

Part II - Type-approval certificate.

Annex 2

Arrangements of approval marks

Annex 3

Requirements to be met by all vehicles:

5. **Requirements**
- 5.1. **General**
- 5.2. **Masses and dimensions**
- 5.3. **Strength of Superstructure**
- 5.4. **Stability test**
- 5.5. Protection against fire risks
- 5.5.1. Engine compartment
- 5.5.2. Fuel filler-holes
- 5.5.3. Fuel tanks
- 5.5.4. Fuel-feed systems
- 5.5.5. Emergency switch
- 5.5.6. Electrical equipment and wiring
- 5.5.7. Batteries
- 5.5.8. Fire extinguishers and first-aid equipment
- 5.5.9. Materials
- 5.6. Exits
- 5.6.1. Number of exits
- 5.6.2. Siting of exits
- 5.6.3. Minimum dimensions of exits
- 5.6.4. Technical requirements for all service doors
- 5.6.5. Additional technical requirements for power operated
service doors
- 5.6.6. Additional technical requirements for automatically
operated service doors
- 5.6.7. Technical requirements for emergency doors
- 5.6.8. Technical requirements for emergency windows
- 5.6.9. Technical requirements for escape hatches
- 5.6.10. Technical requirements for retractable steps
- 5.6.11. Markings
- 5.7. Interior arrangements
- 5.7.1. Access to service doors
- 5.7.2. Access to emergency doors
- 5.7.3. Access to emergency windows

- 5.7.4. Access to escape hatches
 - 5.7.5. Gangways
 - 5.7.6. Intercommunication staircase
 - 5.7.7. Steps
 - 5.7.8. Passenger seats and space for seated passengers
 - 5.7.9. Communication with the driver
 - 5.7.10. Hot drink machines and cooking equipment
 - 5.7.11. Doors to interior compartments
 - 5.8. Artificial interior lighting
 - 5.9. Articulated section of articulated vehicles
 - 5.10. Manoeuvrability
 - 5.11. Direction-holding of articulated vehicles
 - 5.12. Hand-rails and hand-holds
 - 5.13. Guarding of step wells and exposed seats
 - 5.14. Baggage racks - occupant protection
 - 5.15. Trap doors
 - 5.16. Trolleybuses
 - 5.17. Visual entertainment
- Appendix Verification Of Static Tilting Limit By Means Of Calculation

Annex 4

- Explanatory diagrams
- Figure 1 Access to service doors.
 - Figure 2 Access to service doors.
 - Figure 3 Determination of unobstructed access to door.
 - Figure 4 Determination of unobstructed access to door.
 - Figure 5 Access to emergency doors.
 - Figure 6 Gangways.
 - Figure 7 Forward limitation of the gangway.
 - Figure 8 Steps for passengers.
 - Figure 9 Dimensions of passenger seats.
 - Figure 9a Dimensions of passenger seats.
 - Figure 10 Permitted intrusion at shoulder height.
 - Figure 11 Seat-cushion depth and height.
 - Figure 12 Seat spacing.
 - Figure 13 Space for seated passengers.
 - Figure 14 Permitted intrusion into space above seat.
 - Figure 15 Permitted intrusion into space above a seating position.
 - Figure 16 Permitted intrusion in lower part of passenger space.
 - Figure 17 Permitted intrusion at rear corner seats.
 - Figure 18 Permitted intrusion of a wheel arch.
 - Figure 19 Permitted intrusion of a wheel arch.
 - Figure 20 Passenger Foot space.
 - Figure 21 Service door free access.
 - Figure 21 Reference wheelchair.
 - Figure 22 Minimum clear space for the wheelchair user.
 - Figure 24 Pictogram for wheelchair users.
Pictogram for passengers with reduced mobility.
 - Figure 25 Manoeuvrability.
 - Figure 26 Testing device for siting of handholds.

Annex 5

Guidelines for measuring the closing forces of power operated doors.

Annex 6

Special requirements for vehicles having a capacity not exceeding 22 passengers.

1.1. Minimum dimensions for exits.

1.2. Siting of exits.

Annex 7

Requirements for technical devices facilitating access for passengers with reduced mobility.

Annex 8

Type approval for separate technical units and type approval of a vehicle fitted with a bodywork already approved as a separate technical unit.

Annex 9

Safety prescriptions for trolleybuses.

Regulation No. 107

UNIFORM PROVISIONS CONCERNING THE APPROVAL OF **CATEGORY M2 OR M3** VEHICLES
WITH REGARD TO THEIR GENERAL CONSTRUCTION

1. SCOPE

- 1.1. This Regulation applies *to all vehicles of categories M2 and M3* ^{1/}
- 1.2. *However, the requirements of this Regulation do not apply to the following vehicles:*
- 1.2.1. *vehicles designed for the secure transport of persons, for example prisoners;*
- 1.2.2. *vehicles specially designed for the carriage of injured or sick persons (ambulances);*
- 1.2.3. *off-road vehicles.*
- 1.2.4. *Vehicles specially designed for the carriage of schoolchildren.*
- 1.3. *The requirements of this Regulation apply to the following vehicles only to the extent that they are compatible with their intended use and function:*
- 1.3.1. *vehicles designed for use by police, security and armed forces;*
- 1.3.2. *vehicles which contain seating intended solely for use when the vehicle is stationary, but which are not designed to carry more than 8 persons (excluding the driver) when in motion. Examples of these include mobile libraries, mobile churches and mobile hospitality units. The seats in such vehicles which are designated for use when the vehicle is in motion must be clearly identified to users.*

2. DEFINITIONS

For the purpose of this Regulation:

- 2.1. "Vehicle" means a vehicle *of category M2 or M3 within the scope defined by paragraph 1. above.*
- 2.1.1. *For vehicles having a capacity exceeding 22 passengers in addition to the driver, there are three classes of vehicles:*
- 2.1.1.1. "Class I": vehicles constructed with areas for standing passengers, to allow frequent passenger movement.
- 2.1.1.2. "Class II": vehicles constructed principally for the carriage of seated passengers, and designed to allow the carriage of standing passengers in the gangway and/or in an area which does not exceed the space provided for two double seats.
- 2.1.1.3. "Class III": vehicles constructed exclusively for the carriage of seated passengers.

^{1/} As defined in Annex 7 to the Consolidated Resolution on the Construction of Vehicles (R.E.3) (TRANS/WP.29/78/Rev.1/Amend.2).

- 2.1.1.4. *A vehicle may be regarded as belonging in more than one Class. In such a case it may be approved for each Class to which it corresponds.*
- 2.1.2. *For vehicles having a capacity not exceeding 22 passengers in addition to the driver, there are two classes of vehicles:*
- 2.1.2.1. *"Class A": vehicles designed to carry standing passengers; a vehicle of this class has seats and shall have provision for standing passengers.*
- 2.1.2.2. *"Class B": vehicles not designed to carry standing passengers; a vehicle of this class has no provision for standing passengers.*
- 2.1.3. *"Double deck vehicle" means a vehicle where the provided spaces for passengers are arranged, at least in one part, in two superimposed levels and spaces for standing passengers are not provided in the upper deck.*
- 2.1.4. *"Trolleybus" means a vehicle of Classes I, II or III, electrically driven by energy from external wires.*
- 2.1.5. *"Articulated vehicle" means a vehicle which consists of two or more rigid sections which articulate relative to one another; the passenger compartments of each section intercommunicate on at least one deck so that passengers can move freely between them; the rigid sections are permanently connected so that they can only be separated by an operation involving facilities which are normally only found in a workshop;*
- 2.1.6. *"Low floor vehicle" means a vehicle in which at least 35 per cent of the area available for standing passengers (or in its forward section in the case of articulated vehicles, **or in its lower deck in the case of double-decker vehicles**) forms a single area without steps, reached through at least one service door by a single step from the ground.*
- 2.1.7. *"Bodywork" means a separate technical unit comprising all the special internal and external equipment of the vehicle.*
- 2.1.8. *"Separate technical unit" means a device intended to be part of a vehicle, which may be type-approved separately but only in relation to one or more specified types of vehicle;*
- 2.2. *"definition of type(s)"*
- 2.2.1. *"vehicle type" means vehicles which do not differ in the following essential aspects:*
- bodywork manufacturer,*
 - chassis manufacturer;*
 - vehicle concept (>22 passengers or <22 passengers);*
 - bodywork concept (single/ double deck, articulated, low-floor).*
 - bodywork type if the bodywork has been approved as a separate technical unit;*
- 2.2.2. *"bodywork type" for the purposes of type-approval as a separate technical unit means a category of bodywork which do not essentially differ in the following aspects:*
- bodywork manufacturer,*
 - vehicle concept (>22 passengers or <22 passengers);*
 - bodywork concept (single/ double deck, articulated, low-floor).*

- *mass of the completely equipped vehicle bodywork, differing by 10 per cent.*
 - *specified types of vehicle on which the type of the bodywork can be installed.*
- 2.3. "approval of a vehicle or a separate technical unit" means the approval of a vehicle type, **or of a bodywork type as defined in paragraph 2.2.** with regard to the constructional features specified in this Regulation.
- 2.4. "superstructure" means **the part of the bodywork which contributes to the strength of the vehicle in the event of a roll-over accident.**
- 2.5. "service door" means a door **intended for use** by passengers in normal circumstances with the driver seated:
- 2.6. "Double door" means a door affording two, or the equivalent of two, access passages;
- 2.7. "sliding door" means **a door which can be opened or closed only by sliding it along one or more rectilinear or approximately rectilinear rails.**
- 2.8. "Emergency door" means a door additional to the service door(s) intended for use by passengers as an exit only exceptionally and, in particular, in an emergency;
- 2.9. "Emergency window" means a window, not necessarily glazed, intended for use as an exit by passengers in an emergency only.
- 2.10. "double or multiple window" means an emergency window which, when divided into two **or more** parts by imaginary vertical **line(s) (or plane(s))**, exhibits two **or more** parts respectively, each of which complies as to dimensions and access with the requirements applicable to a normal emergency window;
- 2.11. "escape hatch" means **an opening in the roof or the floor** intended for use as an exit by passengers in an emergency only;
- 2.12. "emergency exit" means an emergency door, emergency window or escape hatch.
- 2.13. "exit" means a service door, intercommunication staircase, **half staircase** or emergency exit;
- 2.14. "floor or deck" means that part of the bodywork whose upper surface supports standing passengers, the feet of seated passengers and the driver **and any crew member, and may** support the seat mountings;
- 2.15. "Gangway" means the space providing access by passengers from any seat or row of seats to any other seat or row of seats or to any access passage from or to any service door or intercommunication staircase **and any area for standing passengers**; it does not include:
- 2.15.1. the space extending 30 cm in front of any seat, except where a sideways-facing seat is situated above a wheel arch, in which case this dimension may be reduced to 22.5 cm.
- 2.15.2. the space above the surface of any step or staircase, or

- 2.15.3. any space which affords access solely to one seat or **row of seats or a facing pair of transverse seats or row of seats.**
- 2.16. "access passage" means the space extending inwards into the vehicle from the service door up to the outermost edge of the upper step (edge of the gangway), **intercommunication staircase or half-staircase.** Where there is no step at the door, the space to be considered as access passage shall be that which is measured according to annex 3, paragraph 5.7.1.1. up to a distance of 30 cm from the starting position of the inner face of the dual panel.
- 2.17. "driver's compartment" means the space intended for driver's exclusive use **except in the case of an emergency** and containing the driver's seat, the steering wheel, controls, instruments and other devices necessary for driving **or operating** the vehicle.
- 2.18. "mass of the vehicle in running order" means the mass of the **unladen vehicle with bodywork, and with coupling device in the case of a towing vehicle, in running order, or the mass of the chassis with cab if the manufacturer does not fit the bodywork and/or coupling device (including coolant, oils, 90 per cent fuel, 100 per cent other liquids except used waters, tools, spare wheel and driver (75 kg), and, for buses and coaches, the mass of the crew member (75 kg) if there is a crew seat in the vehicle".**
- 2.19. "Technically permissible maximum **laden** mass" means the maximum mass declared by the manufacturer of the vehicle. (This mass may be greater than the "permissible maximum mass" to be prescribed by national administrations).
- 2.20. "Technically permissible maximum axle mass" means that part of the technically **permissible** maximum mass of the vehicle, declared by the manufacturer, which results in the vertical force at the road surface in the contact area on the wheel/wheels of an axle. This mass may be greater than the maximum permissible axle mass authorized by national administrations. The sum of all technically permissible maximum axle masses of the vehicle may be greater than the technically permissible maximum mass of that vehicle.
- 2.21. "Passenger" means a person **carried on a vehicle**, other than the driver or a member of the crew;
- 2.22. "passenger with reduced mobility" means all passengers who have a **difficulty** when using public transport, **such as disabled people (including people with sensory and intellectual impairments, and wheelchair users, people with limb impairments, people of small stature, people with heavy luggage, elderly people, pregnant women, people with shopping trolleys, and people with children (including children seated in pushchairs).**
- 2.23. "wheelchair user" means a person who due to infirmity or **disability uses a wheelchair for mobility.**
- 2.24. "member of the crew" means a person assigned to operate as a **co-driver or the possible assistant.**
- 2.25. "passenger compartment" means a space intended for passengers' use excluding any space occupied by fixed appliances such as bars, kitchenettes, **toilets or baggage/goods compartments.**

- 2.26. "power-operated service door" means a service door which is operated exclusively by energy other than muscular energy and the opening and closing of which, if not automatically operated, is remotely controlled by the driver or a member of the crew.
- 2.27. "automatically-operated service-door" means a power-operated service door which can be opened (other than by means of emergency controls) only after a control is operated by a passenger and after activation of the controls by the driver, and which closes again automatically.
- 2.28. "Starting prevention device" means a device which prevents the vehicle being driven away from rest when a door is not fully closed;
- 2.29. "Driver operated service door" means a service door which normally is opened and closed by the driver.
- 2.30. "priority seat" means a seat with additional space for a passenger with reduced mobility and marked accordingly.
- 2.31. "boarding device" means a device to facilitate wheelchair access to vehicles, such as lifts, ramps, etc.
- 2.32. "kneeling system" means a system which lowers and lifts totally or partially the body of a vehicle relative to the normal position of travel.
- 2.33. "lift" means a device or system with a platform that can be raised and lowered to provide passenger access between the floor of a passenger compartment and the ground or kerb.
- 2.34. "ramp" means a device to bridge the gap between the floor of a passenger compartment and the ground or kerb.
- 2.35. "portable ramp" means a ramp that may be detached from the vehicle structure and capable of being deployed by a driver or crew member.
- 2.36. "demountable seat" means a seat that can be easily detached from the vehicle.
- 2.37. "front" and "rear" means the front or rear of the vehicle according to the normal direction of travel and the terms; "forward", "foremost", "rearward" and "rearmost" etc. shall be construed accordingly.
- 2.38. "intercommunication staircase" means a staircase which allows communication between the upper and lower decks.
- 2.39. "separate compartment" means a space in the vehicle which may be occupied *by passengers or crew* when the vehicle is in use and which *is separated from any other passenger or crew space, except where any partition allows passengers to see into the next passenger space, and is connected by a gangway without doors.*
- 2.40. "half staircase" is a staircase from the upper deck which terminates in an emergency door.

3. APPLICATION FOR APPROVAL

- 3.1. The application for -approval of:
- **a vehicle type or**
- **a separate technical unit type or**
- **a vehicle type fitted with bodywork type already approved as a separate technical unit**
with regard to its constructional features shall be submitted by the **responsible** manufacturer or by his duly accredited representative.
- 3.1.1. In the case of an application for approval of a vehicle made by assembling a chassis with type-approved bodywork, the term manufacturer refers to the assembler.**
- 3.2. It shall be accompanied by the undermentioned documents in triplicate and by the following particulars:
- 3.2.1. a detailed description of the vehicle type with respect to its structure, dimensions, configuration and constituent materials;
- 3.2.2. drawings of the vehicle and its interior arrangement; and
- 3.2.3. particulars of:
- 3.2.3.1. the technical maximum mass (MT) (kg). In the case of an articulated bus or coach, it shall be given separately for each rigid portion;
- 3.2.3.2. the technical maximum load on each axle (kg);
- 3.2.3.3. the unladen mass of the vehicle (MV) (kg);
- 3.2.4. provision made, if any for the carriage of baggage or goods;
- 3.2.5. where one or more baggage compartments have been provided for baggage other than hand baggage, the total volume of such compartments (v) (m³) and the total mass of the baggage that they can obtain (B) (kg);
- 3.2.6. the horizontal projection of the total surface area intended for seated and standing passengers (so) (m²): for passengers in the upper deck (soa) (m²) and for passengers in the lower deck (sob) (m²). (so = soa + sob);
- 3.2.7. the horizontal projection of the total surface area intended for standing passengers in the lower deck (s1) (m²) in accordance with paragraph 5.2.;
- 3.2.8. the number of seating places intended for use by passengers and crew (if any) (ps), in the upper deck (psa) and in the lower deck (psb), (ps = psa + psb). Sleeping places and other accommodations which are intended to be temporarily used instead of a seating place shall not count as seating places;
- 3.2.9. the intended total number of passengers (N); in the upper deck (Na) and in the lower deck (Nb), (N = Na + Nb);
- 3.2.10. the class or classes for which approval is requested.

- 3.3. ***A model for the information document relating to the constructional features is given in annex 1 Part 1.***
- 3.3.1. ***Appendix 1: for a vehicle type,***
- 3.3.2. ***Appendix 2: for a bodywork type,***
- 3.3.3. ***Appendix 3: for a vehicle type fitted with bodywork already approved as a separate technical unit.***
- 3.4. A vehicle **or a bodywork** representative of the type to be approved shall be submitted to the technical service responsible for conducting the approval tests.
4. APPROVAL
- 4.1. If the vehicle **or bodywork** submitted for approval pursuant to this Regulation meets the requirements of paragraph 5., approval of that vehicle **or bodywork** type shall be granted.
- 4.2. An approval number shall be assigned to each vehicle type approved. Its first two digits (at present **01**, corresponding to the **01** series of amendments) shall indicate the series of amendments incorporating the most recent major technical amendment made to the Regulation at the time of issue of the approval. The same Contracting Party may not assign the same number to another vehicle **or bodywork** type within the meaning of paragraph 2.2.
- 4.3. Notice of approval or of extension of approval of a vehicle **or bodywork** type pursuant to this Regulation shall be communicated to the Contracting Parties to the Agreement applying this Regulation by means of a form conforming to the model in annex 1 to this Regulation.
- 4.4. There shall be affixed, conspicuously and in a readily accessible place specified on the approval form, to every vehicle **or bodywork** conforming to a vehicle **or bodywork** type approved under this Regulation, an international approval mark consisting of:
- 4.4.1. a circle surrounding the letter "E" followed by the distinguishing number of the country which has granted approval 2/ and

2/ 1 for Germany, 2 for France, 3 for Italy, 4 for the Netherlands, 5 for Sweden, 6 for Belgium, 7 for Hungary, 8 for the Czech Republic, 9 for Spain, 10 for Yugoslavia, 11 for the United Kingdom, 12 for Austria, 13 for Luxembourg, 14 for Switzerland, 15 (vacant), 16 for Norway, 17 for Finland, 18 for Denmark, 19 for Romania, 20 for Poland, 21 for Portugal, 22 for the Russian Federation, 23 for Greece, 24 for Ireland, 25 for Croatia, 26 for Slovenia, 27 for Slovakia, 28 for Belarus, 29 for Estonia, 30 (vacant), 31 for Bosnia and Herzegovina, 32 for Latvia, 33 (vacant), 34 for Bulgaria, 35 (vacant), 36 for Lithuania, 37 for Turkey, 38 (vacant), 39 for Azerbaijan, 40 for The former Yugoslav Republic of Macedonia, 41 (vacant), 42 for the European Community (Approvals are granted by its Member States using their respective ECE symbol), 43 for Japan, 44 (vacant), 45 for Australia, 46 for Ukraine, 47 for South Africa and 48 for New Zealand. Subsequent numbers shall be assigned to other countries in the chronological order in which they ratify or accede to the Agreement concerning the Recognition of Approval for Motor Vehicle Equipment and Parts, and the numbers thus assigned shall be communicated by the Secretary-General of the United Nations to the Contracting Parties to the Agreement.

- 4.4.2. the number of this Regulation, followed by the letter "R", a dash and the approval number, to the right of the circle prescribed in paragraph 4.4.1.; and
- 4.4.3. an additional symbol consisting of the Roman numerals for the Class(es) in which the vehicle **or bodywork** has been approved. **A bodywork approved separately shall additionally bear the letter S.**
- 4.5. If the vehicle conforms to a vehicle type approved, under one or more other Regulations annexed to the Agreement, in the country which has granted approval under this Regulation, the symbol prescribed in paragraph 4.4.1. need not be repeated; in such a case, the Regulation and approval numbers and the additional symbols of all the Regulations under which approval has been granted in the country which has granted approval under this Regulation shall be placed in vertical columns to the right of the symbol prescribed in paragraph 4.4.1.
- 4.6. The approval mark shall be clearly legible and be indelible.
- 4.7. The approval mark shall be placed close to or on the vehicle **or bodywork** data plate affixed by the manufacturer.
- 4.8. Annex 2 to this Regulation gives examples of arrangements of approval marks.
5. **REQUIREMENTS**
- 5.1. **All vehicles shall comply with the provisions set out in annex 3 to this Regulation.**
- 5.2. **All vehicles of Class I, and those vehicles of other Classes which are specially equipped for the carriage of passengers with reduced mobility, shall additionally comply with the provisions set out in annex 7 to this Regulation.**
- 5.3. **Nothing in this Regulation shall prevent the national authorities of a Contracting Party from specifying that certain types of operation are reserved for vehicles which are equipped for the transport of passengers with reduced mobility in accordance with annex 7.**
6. **MODIFICATION AND EXTENSION OF APPROVAL OF A VEHICLE TYPE**
- 6.1. Every modification of the vehicle type shall be notified to the administrative department which approved the vehicle type. That department may then either:
- 6.1.1. consider that the modifications made are unlikely to have an appreciable adverse effect and that, in any case, the vehicle still complies with the requirements; or
- 6.1.2. require a further test report from the technical service responsible for conducting the tests.
- 6.2. Confirmation **or refusal** of approval, specifying the modifications, shall be communicated by the procedure specified in paragraph 4.3. to the Contracting Parties to the Agreement which apply this Regulation.
- 6.3. The competent authority issuing the extension of approval shall assign a series number for such an extension and inform thereof the other Contracting Parties to the 1958 Agreement applying this

Regulation by means of a communication form conforming to the model in annex 1, Appendix 2 to this Regulation.

7. CONFORMITY OF PRODUCTION

The conformity of production procedures shall comply with those set out in the Agreement, appendix 2 (E/ECE/324-E/ECE/TRANS/505/Rev.2), with the following requirements:

- 7.1. Vehicles approved to this Regulation shall be so manufactured as to conform to the type approved by meeting the requirements set forth in paragraph 5. above.
- 7.2. The competent authority which has granted type-approval may at any time verify the conformity control methods applicable to each production facility. The normal frequency of these verifications shall be once per two years.

8. PENALTIES FOR NON-CONFORMITY OF PRODUCTION

- 8.1. The approval granted in respect of a vehicle type pursuant to this Regulation may be withdrawn if the requirement laid down in paragraph 5. above is not complied with.
- 8.2. If a Contracting Party to the Agreement applying this Regulation withdraws an approval it has previously granted, it shall forthwith notify the other Contracting Parties applying this Regulation, by means of a communication form conforming to the model in annex 1, Appendix 2 to this Regulation.

9. PRODUCTION DEFINITELY DISCONTINUED

If the holder of the approval completely ceases to manufacture a type of vehicle under this Regulation, he shall so inform the authority which granted the approval. Upon receiving the relevant communication, that authority shall inform thereof the other Parties to the 1958 Agreement applying this Regulation by means of a communication form conforming to the model in annex 1, Appendix 2 to this Regulation.

10. TRANSITIONAL PROVISIONS

- 10.1. *As from the official date of entry into force of the 01 series of amendments, no Contracting Party applying this Regulation shall refuse to grant ECE approval under this Regulation as amended by the 01 series of amendments.*
- 10.2. *No Contracting Party applying this Regulation shall refuse national type approval of a vehicle type approved to the 01 series of amendments to this Regulation.*
- 10.3. *As from [36] months after the date of entry into force, Contracting Parties applying this Regulation shall grant approvals only if the vehicle type to be approved meets the requirements of this Regulation as amended by the 01 series of amendments.*
- 10.4. *As from the date mentioned in paragraph 10.2., Contracting Parties applying this Regulation shall no longer grant new approvals in accordance with Regulation No. 36 or Regulation No. 52.*
- 10.5. *Starting [72] months after the entry into force of the 01 series of amendments to this Regulation, Contracting Parties applying*

this Regulation may refuse first national registration (first entry into service) of a vehicle which does not meet the requirements of the 01 series of amendments to this Regulation.

11. NAMES AND ADDRESSES OF TECHNICAL SERVICES CONDUCTING APPROVAL TESTS, AND ADMINISTRATIVE DEPARTMENTS

The Contracting Parties to the Agreement which apply this Regulation shall communicate to the Secretariat of the United Nations the names and addresses of the technical services responsible for conducting approval tests and of the administrative departments which grant approval and to which forms certifying approval or extension or refusal or withdrawal of approval, issued in other countries, are to be sent.

12. REMARKS CONCERNING PERMISSIBLE AXLE LOADS OR TOTAL VEHICLE MASS

Contracting Parties to the Agreement are not precluded by article 3 of that Agreement from prohibiting the registration on their territory of vehicle types, approved by another Contracting Party in accordance with this Regulation whenever passenger and luggage capacities result in the axle loads or the **technically permissible** maximum **laden** mass of the vehicle being higher than the legal limits in force on their territory.

Annex 1

ECE TYPE-APPROVAL DOCUMENTATION

Part 1

Model Information documents

Appendix 1

MODEL INFORMATION DOCUMENT

pursuant to Regulation No. 107 relating to type-approval of Category M2 or M3 vehicles with regard to their general construction.

The following information, if applicable, must be supplied in triplicate and include a list of contents. Any drawings must be supplied in appropriate scale and in sufficient detail on size A4 or on a folder of A4 format. Photographs, if any, must show sufficient detail.

If the systems, components or separate technical units have electronic controls, information concerning their performance must be supplied.

1. *GENERAL*
- 1.1. *Make (trade name of manufacturer):*
- 1.2. *Type:*
- 1.2.1. *Chassis:*
- 1.2.2. *Bodywork/complete vehicle:*
- 1.3. *Means of identification of type, if marked on the vehicle (b):*
- 1.3.1. *Chassis:*
- 1.3.2. *Bodywork/complete vehicle:*
- 1.3.3. *Location of that marking*
- 1.3.3.1. *Chassis:*
- 1.3.3.2. *Bodywork/complete vehicle:*
- 1.4. *Category of vehicle (c):*
- 1.5. *Name and address of manufacturer:*
- 1.6. *Address(es) of assembly plant(s):*
2. *GENERAL CONSTRUCTION CHARACTERISTICS OF THE VEHICLE*
- 2.1. *Photographs and/or drawings of a representative vehicle:*
- 2.2. *Dimensional drawing of the whole vehicle:*
- 2.3. *Number of axles and wheels:*
- 2.3.1. *Number and position of axles with double wheels:*

- 2.4. Chassis (if any) (overall drawing):
- 2.5. Material used for the side-members (d):
- 2.6. Position and arrangement of the engine:
- 2.7. Driving cab (forward, or normal) (z):
- 2.8. Hand of drive:
 - 2.8.1. Vehicle is equipped to be driven in right/left 1/ hand traffic.
- 3. MASSES AND DIMENSIONS (e) (in kg and mm) (refer to drawing where applicable)
 - 3.1. Wheel base(s) (fully loaded) (f):
 - 3.2. Range of vehicle dimensions (overall)
 - 3.2.1. For chassis without bodywork
 - 3.2.1.1. Length (j):
 - 3.2.1.2. Width (k):
 - 3.2.1.2.1. Maximum permissible width:
 - 3.2.1.3. Height (in running order) (l) (for suspensions adjustable for height, indicate normal running position):
 - 3.2.2. For chassis with bodywork
 - 3.2.2.1. Length (j):
 - 3.2.2.2. Width (k):
 - 5.6.6.3. Height (in running order) (l) (for suspension adjustable for height, indicate normal running position):
 - 3.3. Position of centre of gravity of the vehicle at its technically permissible maximum laden mass in the longitudinal, transverse and vertical directions.
 - 3.4. Mass of the vehicle with bodywork, and in the case of a towing vehicle of a category other than M1, with coupling device, if fitted by the manufacturer, in running order, or the mass of the chassis or chassis with cab, without bodywork and/or coupling device if the manufacturer does not fit the bodywork and/or coupling device (including liquids, tools, spare wheel and driver, and, for buses and coaches, a crew member if there is a crew seat in the vehicle) (o) (maximum and minimum for each variant):
 - 3.4.1. Distribution of this mass among the axles and, in the case of a semi-trailer or centre axle trailer, load on the coupling point (maximum and minimum for each variant):
 - 3.5. Technically permissible maximum laden mass stated by the manufacturer (y) (maximum and minimum for each variant):

- 3.5.1. *Distribution of this mass among the axles and, in the case of a semi-trailer or centre-axle trailer, load on the coupling point (maximum and minimum for each variant):*
- 3.6. *Technically permissible maximum load/mass on each axle:*
4. *BODYWORK*
- 4.1. *Type of bodywork:*
- 4.2. *Materials used and methods of construction:*
5. *SPECIAL PROVISIONS FOR VEHICLES USED FOR THE CARRIAGE OF PASSENGERS COMPRISING MORE THAN EIGHT SEATS IN ADDITION TO THE DRIVER'S SEAT*
- 5.1. *Class of vehicle (Class I, Class II, Class III, Class A, Class B):*
- 5.2. *Area for passengers (m^2):*
 - 5.2.1. *Total (S_o):*
 - 5.2.2. *Upper deck (S_{oa}): $\underline{\quad}$ /*
 - 5.2.3. *Lower deck (S_{ob}): $\underline{\quad}$ /*
 - 5.2.4. *For standing passengers (S_1):*
- 5.3. *Number of passengers (seated and standing):*
 - 5.3.1. *Total (N):*
 - 5.3.2. *Upper deck (N_a): $\underline{\quad}$ /*
 - 5.3.3. *Lower deck (N_b): $\underline{\quad}$ /*
- 5.4. *Number of passengers (seated):*
 - 5.4.1. *Total (A):*
 - 5.4.2. *Upper deck (A_a): $\underline{\quad}$ /*
 - 5.4.3. *Lower deck (A_b): $\underline{\quad}$ /*
- 5.5. *Number of service doors:*
- 5.6. *Number of emergency exits (doors, windows, escape hatches, intercommunication staircase and half staircase):*
 - 5.6.1. *Total:*
 - 5.6.2. *Upper deck: $\underline{\quad}$ /*
 - 5.6.3. *Lower deck: $\underline{\quad}$ /*
- 5.7. *Volume of baggage compartments (m^3):*
- 5.8. *Area for baggage transportation on the roof (m^2):*
- 5.9. *Technical devices facilitating the access to vehicles (e.g. ramp, lifting platform, kneeling system), if fitted:*

- 5.10. *STRENGTH OF SUPERSTRUCTURE:*
- 5.10.1. *Regulation No. 66 type-approval number, if available:*
- 5.10.2. *For superstructures not yet approved:*
- 5.10.2.1. *Detailed description of the superstructure of the vehicle type including its dimensions, configuration and constituent materials and its attachment to any chassis frame:*
- 5.10.2.2. *Drawings of the vehicle and those parts of its interior arrangement which have an influence on the strength of the superstructure or on the residual space:*
- 5.10.2.3. *Position of centre of gravity of the vehicle in running order in the longitudinal, transverse and vertical directions:*
- 5.10.2.4. *Maximum distance between the centre lines of the outboard passenger seats.*

Explanatory notes:

- 1/ *Delete where not applicable (there are cases where nothing needs to be deleted when more than one entry is applicable).*
- (b) *If the means of identification of type contains characters not relevant to describe the vehicle, component or separate technical unit types covered by this information document, such characters shall be represented in the documentation by the symbol "?" (e.g. ABC??123??).*
- (c) *Classified according to the definitions listed Consolidated Resolution of Construction of Vehicles (R.E.3).*
- (d) *If possible, designation according to Euronorm, otherwise give:*
- description of the material,
- yield point,
- ultimate tensile stress,
- elongation (in per cent),
- Brinell hardness.
- (e) *Where there is one version with a normal cab and another with a sleeper cab, both sets of masses and dimensions are to be stated.*
- (f) *ISO Standard 612 - 1978, term No 6.4.*
- (j) *ISO Standard 612 - 1978, term No 6.1 and for vehicles other than those of category M1: Regulation ? 3/, annex I, Section 2.4.1.*
- (k) *ISO Standard 612 - 1978, term No 6.2 and for vehicles other than those of category M1: Regulation ?, annex I, Section 2.4.2.*
- (l) *ISO Standard 612 - 1978, term No 6.3 and for vehicles other than those of category M1: Regulation ?, annex I, Section 2.4.3.*
- (o) *The mass of the driver and, if applicable, of the crew member is assessed at 75 kg (subdivided into 68 kg occupant mass and 7 kg*

3/ Masses and Dimensions Regulation corresponding to European Community Directive 97/27/EC (see proposal for additional amendments)

luggage mass according to ISO Standard 2416 - 1992), the fuel tank is filled to 90 per cent and the other liquid containing systems (except those for used water) to 100 per cent of the capacity specified by the manufacturer.

(y) For trailer or a semi-trailer, which exert a significant vertical load on the coupling device or the fifth wheel, this load, divided by standard acceleration of gravity, is included in the maximum technically permissible mass.

(z) Forward control means a configuration in which more than half of the engine length is rearward of the foremost point of the windshield base and the steering wheel hub in the forward quarter of the vehicle length.

Appendix 2

MODEL INFORMATION DOCUMENT
relating to Regulation No. 107 relating to type-approval of Category M2 or M3
vehicles with regard to their general construction.

The following information, if applicable, must be supplied in triplicate and include a list of contents. Any drawings must be supplied in appropriate scale and in sufficient detail on size A4 or on a folder of A4 format. Photographs, if any, must show sufficient detail.

If the systems, components or separate technical units have electronic controls, information concerning their performance must be supplied.

1. **GENERAL**
 - 1.1. Make (trade name of manufacturer):
 - 1.2. Type:
 - 1.3. Means of identification of type, if marked on the vehicle (b):
 - 1.3.1. Bodywork/complete vehicle:
 - 1.3.2. Location of that marking:
 - 1.3.3. Bodywork/complete vehicle:
 - 1.4. In the case of components and separate technical units, location and method of affixing of the ECE type-approval mark.
 - 1.5. Address(es) of assembly plant(s):
2. **GENERAL CONSTRUCTION CHARACTERISTICS OF THE VEHICLE**
 - 2.1. Photographs and/or drawings of a representative vehicle:
 - 2.2. Dimensional drawing of the whole vehicle:
 - 2.3. Number of axles and wheels:
 - 2.4. Chassis (if any) (overall drawing):
 - 2.5. Material used for the side-members (d):
 - 2.6. Position and arrangement of the engine:
 - 2.7. Driving cab (forward control or bonneted) (z):
 - 2.8. Hand of drive:
3. **MASSES AND DIMENSIONS (e) (in kg and mm) (refer to drawing where applicable)**
 - 3.1. Wheel base(s) (fully loaded) (f):
 - 3.2. Range of vehicle dimensions (overall)
 - 3.2.1. For bodywork approved without chassis:

- 3.2.1.1. Length (*j*):
- 3.2.1.2. Width (*k*):
- 3.2.1.3. Height (in running order) (*l*) (for suspensions adjustable for height, indicate normal running position):
- 4. BODYWORK
 - 4.1. Type of bodywork:
 - 4.2. Materials used and methods of construction:
- 5. SPECIAL PROVISIONS FOR VEHICLES USED FOR THE CARRIAGE OF PASSENGERS COMPRISING MORE THAN EIGHT SEATS IN ADDITION TO THE DRIVER'S SEAT
 - 5.1. Class of vehicle (Class I, Class II, Class III, Class A, Class B):
 - 5.1.1. Chassis types where the ECE type-approved body can be installed (manufacturer(s) and vehicle(s) types):
 - 5.2. Area for passengers (m^2):
 - 5.2.1. Total (S_o):
 - 5.2.1.1. Upper deck (S_{oa}): 1/
 - 5.2.1.2. Lower deck (S_{ob}): 1/
 - 5.2.2. For standing passengers (S_1):
 - 5.3. Number of passengers (seated and standing):
 - 5.3.1. Total (N):
 - 5.3.2. Upper deck (N_a): 1/
 - 5.3.3. Lower deck (N_b): 1/
 - 5.4. Number of passenger seats:
 - 5.4.1. Total (A):
 - 5.4.2. Upper deck (A_a): 1/
 - 5.4.3. Lower deck (A_b): 1/
 - 5.5. Number of service doors:
 - 5.6. Number of emergency exits (doors, windows, escape hatches, intercommunication staircase and half staircase):
 - 5.6.1. Total:
 - 5.6.2. Upper deck: 1'
 - 5.6.3. Lower deck: 1/
 - 5.7. Volume of baggage compartments (m^3):

- 5.8. *Area for baggage transportation on the roof (m²):*
- 5.9. *Technical devices facilitating the access to vehicles (e.g. ramp, lifting platform, kneeling system), if fitted:*
- 5.10. *STRENGTH OF SUPERSTRUCTURE:*
- 5.10.1. *EC type-approval number, if available:*
- 5.10.2. *For superstructures not yet approved:*
- 5.10.2.1. *Detailed description of the superstructure of the vehicle type including its dimensions, configuration and constituent materials and its attachment to any chassis frame:*
- 5.10.2.2. *Drawings of the vehicle and those parts of its interior arrangement which have an influence on the strength of the superstructure or on the residual space:*
- 5.10.2.3. *Position of centre of gravity of the vehicle in running order in the longitudinal, transverse and vertical directions:*
- 5.10.2.4. *Maximum distance between the centre lines of the outboard passenger seats.*
- 5.11. *Points of this Regulation to be accomplished and demonstrated for this separate technical unit:*

Explanatory Notes: See appendix 1

Appendix 3

MODEL INFORMATION DOCUMENT

pursuant to Regulation No. 107 relating to type-approval of a M2 or M3 vehicle where the bodywork has previously obtained the type-approval as a separate technical unit, with respect to its general construction

The following information, if applicable, must be supplied in triplicate and include a list of contents. Any drawings must be supplied in appropriate scale and in sufficient detail on size A4 or on a folder of A4 format. Photographs, if any, must show sufficient detail.

If the systems, components or separate technical units have electronic controls, information concerning their performance must be supplied.

1. GENERAL
 - 1.1. Make (trade name of manufacturer):
 - 1.2. Type:
 - 1.2.1. Chassis:
 - 1.2.2. Bodywork/complete vehicle:
 - 1.3. Means of identification of type, if marked on the vehicle (b):
 - 1.3.1. Chassis:
 - 1.3.2. Bodywork/complete vehicle:
 - 1.3.3. Location of marking:
 - 1.3.3.1. Chassis:
 - 1.3.3.2. Bodywork/complete vehicle:
 - 1.4. Category of vehicle (c):
 - 1.5. Name and address of manufacturer:
 - 1.6. Address(es) of assembly plant(s):
2. GENERAL CONSTRUCTION CHARACTERISTICS OF THE VEHICLE
 - 2.1. Photographs and/or drawings of a representative vehicle:
 - 2.2. Dimensional drawing of the whole vehicle:
 - 2.3. Number of axles and wheels:
 - 2.3.1. Number and position of axles with double wheels.
 - 2.4. Chassis (if any) (overall drawing):
 - 2.5. Material used for the side members (d):
 - 2.6. Position and arrangement of the engine:
 - 2.7. Hand of drive:

- 2.7.1. *Vehicle is equipped to be driven in right/left 1/ hand traffic.*
3. *Masses and Dimensions (e) (in kg and mm)
(Refer to drawing where applicable)*
 - 3.1. *Wheel base(s) (fully loaded) (f):*
 - 3.2. (*) *Range of vehicle dimensions (overall)*
 - 3.2.1. *For chassis with bodywork*
 - 3.2.1.1. *Length (j):*
 - 3.2.1.2. *Width (k):*
 - 3.2.1.2.1. *Maximum width:*
 - 3.2.1.3. *Height (in running order) (l) (for suspensions adjustable for height, indicate normal running position):*
 - 3.3. *Mass of the vehicle with bodywork and, in the case of a towing vehicle of a category other than M1, with coupling device, if fitted by the manufacturer, in running order, or the mass of the chassis or chassis with cab, without bodywork and/or coupling device if the manufacturer does not fit the bodywork and/or coupling device (including liquids, tools, spare wheel and driver, and, for buses and coaches, a crew member if there is a crew seat in the vehicle):
(o) (maximum and minimum for each variant).*
 - 3.3.1. *Distribution of this mass among the axles and, in the case of a semi-trailer or centre axle trailer, load on the coupling point (maximum and minimum for each variant):*
 - 3.4. *Technically permissible maximum laden mass stated by the manufacturer (γ) (maximum and minimum):*
 - 3.4.1. *Distribution of this mass among the axles and, in the case of a semi-trailer or centre-axle trailer, load on the coupling point (maximum and minimum):*
 - 3.5. *Technically permissible maximum mass/load on each axle:*
 4. *Strength of superstructure:*
 - 4.1. *Regulation No. 66 type-approval number, if available:*
 - 4.2. *For superstructures not yet approved:*
 - 4.2.1. *Detailed description of the superstructure of the vehicle type including its dimensions, configuration and constituent materials and its attachment to any chassis frame:*
 - 4.2.2. *Drawings of the vehicle and those parts of its interior arrangement which have an influence on the strength of the superstructure or on the residual space:*
 - 4.3. *Position of centre of gravity of the vehicle in running order in the longitudinal, transverse and vertical directions:*

4.4. *Maximum distance between the centre lines of the outboard passenger seats.*

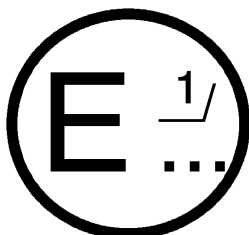
Explanatory notes: See appendix 1

Part 2

Appendix 1

COMMUNICATION
(maximum format: A4 (210 x 297 mm))

issued by: Name of administration
.....
.....



Communication concerning the

- type-approval 1/
- extension of type-approval 1/
- refusal of type-approval 1/
- withdrawal of type-approval 1/

of a type of a vehicle/component/separate technical unit 1/ with regard to Regulation No. 107

Approval number:

Reason for extension:

SECTION I

- 0.1. Make (trade name of manufacturer):
- 0.2. Type:
- 0.3. Means of identification of type if marked on the vehicle/ component/ separate technical unit ⁽¹⁾⁽²⁾
- 0.3.1. Location of that marking:
- 5.7. Category of vehicle 1/ 3/
- 5.8. Name and address of manufacturer:

1/ Delete where not applicable.

2/ If the means of identification of type contains characters not relevant to describe the vehicle, component or separate technical unit types covered by this type-approval certificate such characters shall be represented in the documentation by the symbol: "?" (e.g. ABC??123??).

3/ As defined in Consolidated Resolution of Construction of Vehicles (R.E.3).

- 0.7. *In the case of components and separate technical units, location and method of affixing of the type-approval mark:*
- 0.8. *Address(es) of assembly plants(s):*

SECTION II

1. *Additional information (where applicable): see addendum*
2. *Technical service responsible for carrying out the tests:*
3. *Date of test report:*
4. *Number of test report:*
5. *Remarks (if any): see addendum*
6. *Place:*
7. *Date:*
8. *Signature:*
9. *The index to the information package lodged with the approval authority, which may be obtained on request, is attached.*

*Addendum to type-approval certificate No.
concerning the type-approval of a vehicle with regard to Regulation No. 107.*

1. *Additional information*
 - 1.1. *Category of vehicle (M_2 , M_3): 1/*
 - 1.2. *Bodywork concept (single/double deck, articulated, low-floor 1/*
 - 1.3. *Technically permissible maximum mass (kg):*
 - 1.4. *Number of passengers (seated and standing):*
 - 1.4.1. *Total (N):*
 - 1.4.2. *Upper deck (N_a) 1/*
 - 1.4.3. *Lower deck (N_b) 1/*
 - 1.4.4. *Number of passengers seated:*
 - 1.4.4.1. *Total (A):*
 - 1.4.4.2. *Upper deck (A_a) 1/*
 - 1.4.4.3. *Lower deck (A_b) 1/:*
 - 1.5. *Volume of baggage compartments (m^3):*
 - 1.6. *Area for baggage transportation on the roof (m^2):*
 - 1.7. *Technical devices facilitating access to vehicles (ramp, lifting platform, kneeling-system):*

1.8. *Position of centre of gravity of the laden vehicle in the longitudinal, transverse and vertical directions:*

1.9. *Superstructure strength*

1.9.1. *type-approval number, if required:*

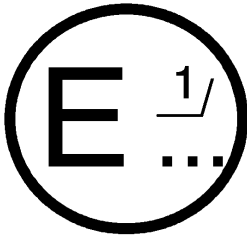
6. *Remarks:*

Appendix 2

(maximum format: A4 (210 x 297 mm))

COMMUNICATION

issued by: Name of administration
.....
.....



Communication concerning the

- type-approval 1/
- extension of type-approval 1/
- refusal of type-approval 1/
- withdrawal of type-approval 1/

of a type of a vehicle/component/separate technical unit 1/ with regard to Regulation No. 107

Type-approval number:

Reason for extension:

SECTION I

- 0.1. Make (trade name of manufacturer):
- 0.2. Type:
- 0.3. Means of identification of type if marked on the vehicle/ component/ separate technical unit 1/ 2/
- 0.3.1. Location of that marking:
- 0.4. Category of vehicle 1/ 3/
- 0.5. Name and address of manufacturer:
- 0.7. In the case of components and separate technical units, location and method of fixing of the ECE approval mark:

1/ Delete where not applicable.
2/ If the means of identification of type contains characters not relevant to describe the vehicle, component or separate technical unit types covered by this type-approval certificate such characters shall be represented in the documentation by the symbol: "?" (e.g. ABC??123??).
3/ As defined in Consolidated Resolution R.E.3

0.8. Address(es) of assembly plants(s):

SECTION II

1. Additional information (where applicable): see addendum
2. Technical service responsible for carrying out the tests:
3. Date of test report:
4. Number of test report:
5. Remarks (if any): see addendum
6. Place:
7. Date:
8. Signature:
9. The index to the information package lodged with the approval authority, which may be obtained on request, is attached.

Addendum to type-approval certificate No.
concerning the type-approval of a bodywork as a separate technical unit with
regard to Regulation No. 107

1. Additional information
 - 1.1. Category of vehicle where the body can be installed (M2, M3): 1/
 - 1.2. Bodywork concept (single/double deck, articulated, low-floor): 1/
 - 1.3. Chassis type(s) where the body can be installed:
 - 1.4. Number of passengers (seated and standing):
 - 1.4.1. Total (N):
 - 1.4.2. Upper deck (N_a): 1/
 - 1.4.3. Lower deck (N_b): 1/
 - 1.4.4. Number of passengers seated:
 - 1.4.4.1. Total (A):
 - 1.4.4.2. Upper deck (A_a): 1/
 - 1.4.4.3. Lower deck (A_b): 1/
 - 1.5. Volume of baggage compartments (m³):
 - 1.6. Area for baggage transportation on the roof (m²):
 - 1.7. Technical devices facilitating access to vehicles (ramp, lifting platform, kneeling-system):

1.9. *Strength of superstructure*

1.9.1. *type-approval number, if required:*

5. *Remarks:*

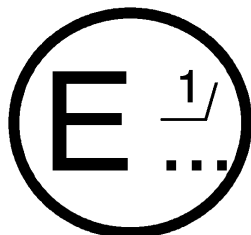
6. *Points accomplished and demonstrated for this separate technical unit:*

Appendix 3

(maximum format: A4 (210 x 297 mm))

COMMUNICATION

issued by: Name of administration
.....
.....



Communication concerning the

- type-approval 1/
- extension of type-approval 1/
- refusal of type-approval 1/
- withdrawal of type-approval 1/

of a type of a vehicle/component/separate technical unit 1/ with regard to Regulation No. 107

Type-approval number:

Reason for extension:

SECTION I

- 0.1. Make (trade name of manufacturer):
- 0.2. Type:
- 0.3. Means of identification of type if marked on the vehicle/ component/ separate technical unit 1/ 2/
- 0.3.1. Location of that marking:
- 0.4. Category of vehicle 1/ 3/
- 0.5. Name and address of manufacturer:
- 0.7. In the case of components and separate technical units, location and method of fixing of the approval mark:

-
- 1/ Delete where not applicable.
 - 2/ If the means of identification of type contains characters not relevant to describe the vehicle, component or separate technical unit types covered by this type-approval certificate such characters shall be represented in the documentation by the symbol: "?" (e.g. ABC??123??).
 - 3/ As defined Consolidated Resolution R.E.3

0.8. *Address(es) of assembly plants(s):*

SECTION II

1. *Additional information (where applicable): See Addendum*
2. *Technical service responsible for carrying out the tests:*
3. *Date of test report:*
4. *Number of test report:*
5. *Remarks (if any): See Addendum*
6. *Place:*
7. *Date:*
8. *Signature:*
9. *The index to the information package lodged with the approval authority, which may be obtained on request, is attached.*

*Addendum to type-approval certificate No.
concerning the type-approval for a vehicle type fitted with a bodywork already
approved as a separate technical unit with regard to Regulation No. 107.*

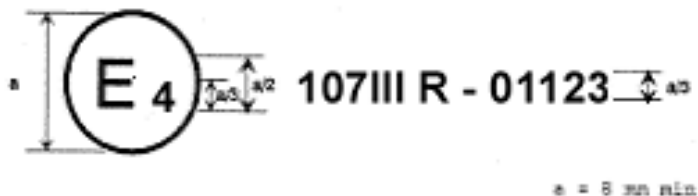
1. *Additional information*
 - 1.1. *Category of vehicle (M_2 , M_3): 1/*
 - 1.2. *Technically permissible maximum mass (kg):*
 - 1.8. *Position of centre of gravity of the laden vehicle in the longitudinal, transverse and vertical directions:*
 - 1.9. *Superstructure strength*
 - 1.9.1. *type-approval number, if required:*
 5. *Remarks:*
-

Annex 2

ARRANGEMENTS OF APPROVAL MARKS

Model A

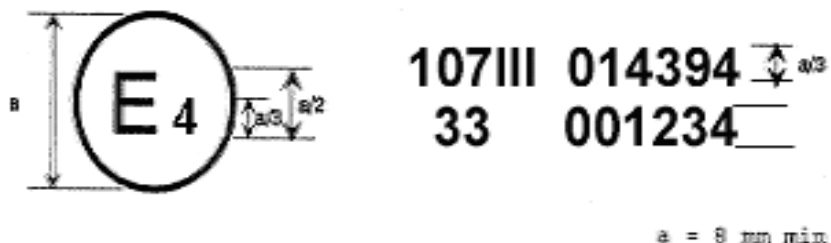
(See paragraph 4.4. of this Regulation)



The above approval mark affixed to a vehicle shows that the vehicle type concerned has, with regard to its constructional features, been approved in the Netherlands (E 4) for Class III, pursuant to Regulation No. 107 under approval number **01123**. The approval number indicates that the approval was granted according to the requirements of Regulation No. 107 as amended by the **01** series of amendments.

Model B

(See paragraph 4.5. of this Regulation)



The above approval mark affixed to a vehicle shows that the vehicle type concerned has been approved in the Netherlands (E 4) pursuant to Regulations Nos. 107 and 33.* / The first two digits of the approval numbers indicate that, at the dates when the respective approvals were given, Regulation No. 107 included the **01** series of amendments and Regulation No. 33 was in its original form.

*/ This number is given merely as an example.

Annex 3

REQUIREMENTS TO BE MET BY ALL VEHICLES

(1.-4. reserved)

5. REQUIREMENTS

5.1 General

5.1.1. Unless otherwise stated, all measurements shall be made when the vehicle is at its mass in running order and it is standing on a smooth and horizontal ground surface and in the normal condition for travel. If a kneeling system is fitted, it shall be set so the vehicle is at its normal ride height for travel. In the case of approval of bodywork as a separate technical unit the position of the body relative to the flat horizontal surface shall be specified by the manufacturer.

5.1.2. Wherever there is a requirement in this Regulation for a surface in the vehicle to be horizontal or at a specific angle when the vehicle is at its mass in running order, in the case of a vehicle with mechanical suspension, the surface may exceed this slope or possess a slope when the vehicle is at its mass in running order, provided that this requirement is met when the vehicle is in the loading condition declared by the manufacturer. If a kneeling system is fitted to the vehicle, it shall not be in operation.

5.2. Masses and dimensions

5.2.1. Load distribution between axles and loading conditions

5.2.1.1. The load distribution of a stationary vehicle on level ground shall be determined in two conditions:

5.2.1.1.1. unladen, as specified in paragraph 5.2.1.3., and

5.2.1.1.2. laden, as specified in paragraph 5.2.1.4.

5.2.1.2. The front axle or axles shall carry not less than the percentage of mass shown in the table below:

Loading condition	CLASS I		CLASS II, III		CLASS A	CLASS B
	RIGID	ARTIC	RIGID	ARTIC		
UNLADEN	20	20	25	20	20	25
LADEN	25	20	25	20	25	25

5.2.1.3. Unladen, for the purpose of this paragraph (5.2.), and paragraph 5.3, means the vehicle in the condition described in paragraph 2.18. of this Regulation.

5.2.1.4. Laden, for the purpose of this paragraph (5.2.), means the vehicle **at its mass in running order** with the addition of a mass Q on each passenger seat, a number of masses Q corresponding to the authorised number of standing passengers, uniformly distributed over the area S₁, a mass equal to L·V uniformly distributed in the baggage compartments **and, where appropriate, a mass equal to R·VX uniformly distributed over the surface area of the roof equipped for the carriage of baggage (MT) (kg).**

- 5.2.1.5. Double-deck vehicles shall not be equipped to carry luggage on the roof.
- 5.2.2. Area available for passengers.
- 5.2.2.1. The total surface area S_0 on each deck (S_{0a} and S_{0b}) available for passengers is calculated by deducting from the total area of the floor of the vehicle:
- 5.2.2.1.1. the area of the driver's compartment;
- 5.2.2.1.2. the area of steps at doors and the area of any **other** step with a depth of less than 30 cm **and the area swept by the door and its mechanism when it is operated;**
- 5.2.2.1.3. the area of any part over which the vertical clearance is less than 135 cm measured from the floor disregarding permitted intrusion specified in paragraphs 5.7.8.6.3. and 5.7.8.6.4. In the case of vehicles of Class A or B, this dimension may be reduced to 120 cm;
- 5.2.2.1.4. the area of any part of the **vehicle to which access by passengers is prevented as defined in paragraph 5.9.4.;**
- 5.2.2.1.5. the area of any space reserved solely for the carriage of goods or baggage and from which passengers are excluded.
- 5.2.2.1.6. **the area required to provide a clear working area at serveries;**
- 5.2.2.1.7. **the floor area occupied by any staircase, half staircase, intercommunication staircase or the surface of any step.**
- 5.2.2.2. The surface area S_1 available for standing passengers (**only in the case of vehicles of Class A, I and II, in which the carriage of standing passengers is allowed**) is calculated by deducting from S_0 : (S_{0b} in the case of a double-deck vehicle)
- 5.2.2.2.1. the area of all parts of the floor in which the slope **exceeds the maximum permissible values as determined in paragraph 5.7.6.4.;**
- 5.2.2.2.2. the area of all parts which are not accessible to a standing passenger when all the seats are occupied, with the exception of folding seats;
- 5.2.2.2.3. the area of all parts where the clear height above the floor is less than the **gangway height specified in paragraph 5.7.5.1.** (handholds shall not be taken into account in this connection);
- 5.2.2.2.4. the area forward of a **transverse** vertical plane passing through the centre of the seating surface of the driver's seat (in its rearmost position).
- 5.2.2.2.5. the area 30 cm in front of all seats other than folding seats, except where a sideways-facing seat is situated above the wheel arch, in which case this dimension may be reduced to 22.5 cm. **In the case of variable seating arrangements, of any seat when considered to be in use, see paragraph 5.2.2.4.**
- 5.2.2.2.6. any surface not being excluded by the provisions in paragraphs 5.2.2.2.1. to 5.2.2.2.5. above, on which it is not possible to place a rectangle of 40 cm x 30 cm;

- 5.2.2.2.7. in vehicles of Class II, the area in which standing is not allowed.
- 5.2.2.2.8. *in double deck vehicles, any area of the upper deck.*
- 5.2.2.2.9. *the surface of the wheelchair space(s) when considered occupied by a wheelchair user(s), see paragraph 5.2.2.4.*
- 5.2.2.3. There shall be on the vehicle a number (P) of seating places, other than folding seats, which conform to the requirements of paragraph 5.7.8. If the vehicle is of Class **I, II or A** the number **of seating places on each deck** shall be at least equal to the number of square metres of floor **on that deck** available for passengers and crew (if any) rounded down to the nearest whole number; this **number may, in vehicles of Class I, excluding the upper deck, be reduced by 10 per cent.**
- 5.2.2.4. The total N of seating and standing places in vehicles shall be calculated such that both of the following conditions are fulfilled:

$$N \leq P_s + \frac{S_1}{S_{sp}}$$

and

$$N \leq \frac{MT - MV - L \cdot V - R \cdot VX}{Q}$$

where:

P_s = Number of seating places (see paragraphs 3.2.9. of this Regulation and 5.3.1. of this annex);
 S_1 = Surface area (m²) (see paragraph 5.2.2.) available for standing passengers;
 S_{sp} = Area assumed for one standing place (m²/standing passenger) (see paragraph 5.3.2.2.);
MT = Technically permissible maximum mass (kg) (see paragraph 2.18. of this Regulation);
MV = Unladen mass (kg) as defined in paragraph 2.17.1. of this Regulation;
L = Specific load of baggage (kg/m³) in the baggage compartment(s);
V = Total volume (m³) of the baggage compartments (see paragraph 3.2.5. of this Regulation).
R = Specific mass of baggage in the roof area (kg/m²);
VX = Total surface area (m²) available for baggage to be carried on the roof (see paragraph 3.2.6. of this Regulation);
Q = Mass (kg) assumed for the load on each passenger seating and standing place, if any (see paragraph 5.2.2.4.2.);

5.2.2.4.1. In the case of Class III or B vehicles, $S_1 = 0$

5.2.2.4.2. The values of Q, S_{sp} , L and R for **each Class** of vehicle are as follows:

CLASS	Q (kg)	S_{sp} (m ² /standing passenger)	L (kg/m ³)	R (kg/m ²)
Class I, A	68	0.125	100	75
Class II	71 */	0.15	100	75
Class III, B	71 */	(no standing passengers)	100	75

*/ Including 3 kg of hand baggage.

- 5.2.2.4.3. If a vehicle of Class II or Class III is approved as a Class I vehicle, **or a Class B vehicle is approved as a Class A vehicle**, the mass of baggage carried in baggage compartments accessible only from outside the vehicle is not taken into account.
- 5.2.2.5. When calculated according to paragraph 5.2.2.4., the mass on each axle of the vehicle shall not exceed the values of their respective technically permissible maximum values.
- 5.2.2.6. In the case of a vehicle equipped with a variable seating capacity the area available for standing passengers (S_1) and the provisions of paragraph 5.4. shall be determined for each of the following conditions as applicable;
- 5.2.2.6.1. with all possible seats occupied followed by the remaining area for standing passengers and, if space remains, any wheelchair spaces occupied;
- 5.2.2.6.2. with all possible standing areas occupied followed by the remaining seats available for seated passengers and, if space remains, any wheelchair spaces occupied;
- 5.2.2.6.3. with all possible wheelchair spaces occupied followed by the remaining area for standing passengers and then the remaining seats available for use occupied.
- 5.2.3. **Marking of vehicles.**
- 5.2.3.1. The vehicle shall be clearly marked in a manner visible on the inside in the vicinity of the front door in letters or pictograms not less than 15 mm high and numbers not less than 25 mm high, with:
- 5.2.3.1.1. the maximum number of seating places ***the vehicle is designed to carry;***
- 5.2.3.1.2. ***the maximum number of standing places, if any, the vehicle is designed to carry;***
- 5.2.3.1.3. ***the maximum number of wheelchairs which the vehicle is designed to carry, if any.***
- 5.2.3.2. ***If a vehicle is designed to have a variable number of seating places, area available for standing passengers or number of wheelchairs carried, the requirements of paragraph 5.2.3.1. shall apply to each maximum seating capacity and the corresponding number of wheelchairs and standing passengers as appropriate.***
- 5.2.3.3. ***Space shall be provided in the driver's area, in a position clearly visible to the driver, in letters or pictograms not less than 1 cm high and numbers not less than 12 mm high, with:***
- 5.2.3.3.1. ***the mass of baggage which may be carried when the vehicle is loaded with the maximum numbers of passengers and crew and the vehicle is not exceeding the technically permissible maximum mass, or the permissible mass of any axle. This shall include the mass of baggage:***
- 5.2.3.3.1.1. ***in baggage compartments (mass B);***

5.2.3.3.1.2. *on the roof if equipped for the carriage of baggage (mass BX).*

5.3. **Strength of the superstructure.**

5.3.1. *All single-deck Class II and III vehicles shall have superstructures which comply with the technical provisions of Regulation No. 66.*

5.3.2. *If the vehicle type has already obtained type-approval according to Regulation No. 66, no additional testing or documentation will be required.*

5.4. **Stability Test**

5.4.1. The stability of a vehicle shall be such that the point at which overturning occurs would not be passed if the surface on which the vehicle stands were tilted to both sides in turn to an angle of 28 degrees from the horizontal.

5.4.2. For the purposes of the above test, the vehicle shall be at its mass in running order as described in paragraph 2.18. of this Regulation, with the addition of:

5.4.2.1. Loads equal to Q (as defined in paragraph 5.2.2.4.) shall be placed on each passenger seat (upper deck passenger seat in the case of a double-deck vehicle). If the vehicle is intended for standing passengers or with a crew member who is not seated, the centre of gravity of the loads Q or 75 kg respectively representing them, shall be uniformly distributed over the standee or crew area respectively, at a height of 87.5 cm. **Where a vehicle is equipped to carry luggage on the roof, a uniformly distributed mass (BX) of not less than that declared by the manufacturer, representing such baggage shall be secured to the roof. The other baggage compartments shall not contain any baggage.**

5.4.2.2. *If the vehicle has a variable seating capacity, standing capacity or is designed to carry one or more wheelchairs, in respect of any area of the passenger compartment in which such variations occur, the loads in paragraph 5.4.2.1. shall be the greater of:*

- *the mass represented by the number of seated passengers that may occupy the area including the mass of any demountable seats; or*
- *the mass represented by the number of standing passengers that may occupy the area; or*
- *the mass of wheelchairs and users that may occupy the area at a total mass of 250 kg each placed at a height of 50 cm above the floor in the centre of each wheelchair space; or*
- *the mass of seated passengers, standing passengers and wheelchairs users and any combination of these that may occupy the area.*

5.4.3. The height of any step used to prevent a wheel of the vehicle from slipping sideways on a tilt test rig shall not be greater than two-thirds of the distance between the surface upon which the

vehicle stands before it is tilted and that part of the rim of that wheel which is nearest to the surface when the vehicle is loaded in accordance with paragraph 5.4.2.

- 5.4.4. During the test, no parts of vehicle which are not intended to come into contact in normal use shall not do so, nor shall any part become damaged or deranged.
- 5.4.5. Alternatively, a calculation method can be used to show that the vehicle will not overturn under the conditions described in paragraphs 5.4.1. and 5.4.2. Such a calculation shall take into account the following parameters:

- 5.4.5.1. masses and dimensions;
- 5.4.5.2. height of centre of gravity;
- 5.4.5.3. spring rates;
- 5.4.5.4. vertical and horizontal tyre rates;
- 5.4.5.5. characteristics of the control of air pressure in the air springs;**
- 5.4.5.6. position of the centre of moments;
- 5.4.5.7. torsion resistance of the body.

The method of calculation is described in appendix 1 to this annex.

5.5. Protection against fire risks

5.5.1. Engine compartment

- 5.5.1.1. No flammable sound-proofing material or material liable to become impregnated with fuel, **lubricant or other combustible material** shall be used in the engine compartment unless the material is covered by an impermeable sheet.
- 5.5.1.2. Precautions shall be taken, either by a suitable layout of the engine compartment or by the provision of drainage orifices, to avoid, so far as possible, the accumulation of fuel, **lubricating oil or any other combustible material** in any part of the engine compartment.
- 5.5.1.3. A partition of heat-resisting material shall be fitted between the engine compartment or any other source of heat (such as a device designed to absorb the energy liberated when a vehicle is descending a long gradient, e.g. a retarder, or a device for heating the interior of the body other, however, than a device functioning by warm water circulation) and the rest of the vehicle. **All fixings, clips, gaskets, etc., used in conjunction with the partition shall be fire resistant.**
- 5.5.1.4. A heating device operating other than by hot water may be provided in the passenger compartment if it is encased in material designed to resist the temperatures generated by the device, emits no toxic fumes into the passenger compartment and is positioned such that no passenger is likely to come into contact with any hot surface.

5.5.2. **reserved**

5.5.3. **reserved**

- 5.5.4. **reserved**
- 5.5.5. **reserved**
- 5.5.6. Electrical equipment and wiring
- 5.5.6.1. All cables shall be well insulated and all cables and electrical equipment shall be able to withstand the temperature and humidity conditions to which they are exposed. In the engine compartment, particular attention shall be paid to their suitability to withstand the environmental temperature **and the effects of all likely contaminants.**
- 5.5.6.2. No cable used in an electrical circuit shall carry a current in excess of that acceptable for such a cable in the light of its mode of installation and the maximum ambient temperature.
- 5.5.6.3. Every electrical circuit feeding an item of equipment other than the starter, the ignition circuit (positive ignition), the glow-plugs, the engine-stopping device, the battery-charging circuit and the battery shall include a fuse or a circuit breaker. Circuits feeding low consumption equipment may, however, be protected by a common fuse or a common circuit-breaker, provided that its rated capacity does not exceed 16 A. In the case where electronics are incorporated, these circuits may be protected by protection devices integrated into the electronic components or systems. In such a case, the manufacturer shall give all the relevant technical information at the request of the technical service responsible for conducting the tests.
- 5.5.6.4. All cables shall be well protected and shall be held securely in position in such a way that they cannot be damaged by cutting, abrasion or chafing.
- 5.5.6.5. Where the voltage exceeds 100 Volts RMS (root mean square) in one or more electrical circuits in a vehicle, a manually-operated isolating switch which is capable of disconnecting all such circuits from the main electrical supply shall be connected in each pole of that supply which is not electrically connected to earth, and shall be located inside the vehicle in a position readily accessible to the driver, provided that no such isolating switch shall be capable of disconnecting any electrical circuit supplying the mandatory external vehicle lights. This paragraph does not apply to self-contained circuits within a unit of equipment in the vehicle.
- 5.5.6.6. **All electrical cables shall be so located that no part can make contact with any fuel line or any part of the exhaust system, or be subjected to excessive heat, unless suitable special insulation and protection is provided, as for example to a solenoid-operated exhaust valve.**
- 5.5.7. Batteries
- 5.5.7.1. All batteries shall be well secured and easily accessible.
- 5.5.7.2. The battery compartment shall be separated from the passenger compartment and driver's compartment and ventilated to outside air.
- 5.5.7.3. **The battery terminals shall be protected against the risk of short circuit.**

5.5.8. Fire extinguishers and first-aid equipment

5.5.8.1. Space shall be provided for the fitting of one or more fire extinguishers, one being near the driver's seat. **In vehicles of Class A or B the space shall be not less than 8 dm³ and in Class I, II or III not less than 15 dm³. In the case of double-deck vehicles, an additional extinguisher space shall be provided on the upper deck**

5.5.8.2. Space shall be provided for the fitting of one or more first-aid kits. The space provided shall be not less than 7 dm³, the minimum dimension shall not be less than 8 cm.

5.5.8.3. Fire extinguishers and first aid kits may be secured against theft or vandalism (e.g. in an internal locker or behind breakable glass), provided that the locations of these items are clearly marked and means are provided for persons to extract them easily in an emergency.

5.5.9. Materials

No flammable material shall be permitted within 10 cm of **any exhaust system component, any high voltage electrical equipment** or any other significant source of heat of a vehicle unless the material is effectively shielded. For the purpose of this paragraph, a flammable material is considered to be one which is not designed to withstand the temperatures likely to be encountered in that location. **Where necessary, shielding shall be provided to prevent grease or other flammable materials coming into contact with any exhaust system, any high voltage electrical equipment or any other significant source of heat.**

5.6. Exits5.6.1. Number of exits

5.6.1.1. The minimum number of **doors in a vehicle shall be two, either two service doors or one service door and one emergency door. Every double-deck vehicle shall have two doors on the lower deck (see also paragraph 5.6.2.2.). The minimum number of service doors required is as follows:**

Number of passengers	Number of service doors		
	CLASS I & A	CLASS II	CLASS III & B
9 - 45	1	1	1
46 - 70	2	1	1
71 - 100	3 (2 in double-deck)	2	1
> 100	4	3	1

5.6.1.2. The minimum number of service doors in each rigid section of an articulated **vehicle** shall be one except that this minimum number shall be two in the case of front section of an articulated **vehicle** of Class I.

5.6.1.3. (**reserved** see 5.6.1.1.)

5.6.1.4. For the purpose of this requirement, service doors equipped with a power-operated control system shall not be deemed to be **emergency doors** unless they can be readily opened by hand, once the control prescribed in paragraph 5.6.5.1. has been actuated, if necessary.

- 5.6.1.4.1. Each intercommunication staircase **in a double-deck vehicle** shall be considered to be an exit from the upper deck.
- 5.6.1.4.2. All persons accommodated in the lower deck **of a double-deck vehicle** must in an emergency situation have access to the exterior of the vehicle without having to enter the upper deck.
- 5.6.1.4.3. The upper deck gangway **of a double-deck vehicle** shall be connected by one or more intercommunication staircases to the access passageway of a service door or to the lower deck gangway within 3 m of a service door.
- 5.6.1.4.3.1. Two, or at least one staircase and one half staircase shall be provided in Class I and Class II vehicles if more than 50 passengers are carried on the upper deck.
- 5.6.1.4.3.2. Two, or at least one staircase and one half staircase are to be provided in Class III vehicles if more than 30 passengers are carried on the upper deck.
- 5.6.1.5. The minimum number of emergency exits shall be such that the total number of exits is as follows, the number of exits for each separate deck and each separate compartment being determined separately. Toilet compartments or galleys are not considered to be separate compartments for the purposes of defining the number of emergency exits. Escape hatches can only count as one of the above-mentioned number of emergency exits:

Number of passengers and crew per compartment to be accommodated in each compartment or deck	Minimum total number of exits
1 - 8	2
9 - 16	3
17 - 30	4
31 - 45	5
46 - 60	6
61 - 75	7
76 - 90	8
91 - 110	9
111 - 130	10
>130	11

Escape hatches can only count as one of the above-mentioned number of emergency exits.

- 5.6.1.6. Each rigid section of an articulated **vehicle** shall be treated as a separate vehicle for the purpose of determining the minimum number of exits. **Toilet compartments or galleys are not considered to be separate compartments for the purposes of defining the number of emergency exits.** A number of passengers shall be determined for each rigid section and the connecting passage between them shall not be considered as an exit.
- 5.6.1.7. **reserved.** see 5.6.1.10. below
- 5.6.1.8. A double service door shall count as two doors and a double **or multiple** window as two emergency windows.
- 5.6.1.9. Escape hatches, additional to the emergency doors and windows, shall be fitted in Class II, **III and B** vehicles. They may also be fitted in the case of Class I **and A** vehicles. **There should not be any escape hatches fitted in the roof of any trolleybus.** The minimum number of hatches shall be:

Total number of passengers (in the upper deck (A _a) in the case of double-deck vehicles)	Number of hatches
not exceeding 50	1
exceeding 50	2

- 5.6.1.10.** If the driver's or a separate crew compartment does not **provide access to the passenger compartment by means of a passageway complying with one of the conditions described in paragraph 5.7.5.4.,** the following conditions shall be met:
- 5.6.1.10.1.** **The compartment shall have two exits, which shall not both be in the same lateral wall; when one of the exits is a window, it shall comply with the requirements set out in paragraphs 5.6.3.1. and 5.6.8. for emergency windows.**
- 5.6.1.10.2.** One or two seats are permitted alongside the driver for additional people, in which case both of the exits referred to in paragraph 5.6.1.10.1. shall be doors. The driver's door shall be accepted as the emergency door for the occupants of those seats, provided that the driver's seat, the steering wheel, the engine housing, the gear lever, the hand brake control, etc., do not constitute too great an obstruction. The door provided for those additional people shall be accepted as the emergency door for the driver. Up to five additional seats may be fitted in a compartment incorporating the driver's compartment, provided that the additional seats and the space for these seats comply with all requirements of this Regulation **and at least one door giving access to the passenger compartment complies with the requirements of paragraph 5.6.3. for emergency doors.**
- 5.6.1.10.3.** In the circumstances described in paragraphs 5.6.1.10.1. and 5.6.1.10.2., the exits provided for the driver's compartment shall not count as one of the doors required by paragraphs 5.6.1.1. to 5.6.1.2., nor as one of the exits required by paragraph 5.6.1.4., **except in the case mentioned in paragraphs 5.6.1.10.1. and 5.6.1.10.2. Paragraphs from 5.6.3. to 5.6.7., 5.7.1., 5.7.2. and 5.7.7. shall not apply to such exits.**
- 5.6.1.11.** If the driver's compartment and seats adjacent to it are accessible from the main passenger compartment by means of a passageway complying with one of the conditions described in paragraph 5.7.5.1.1., no external exit is required from the driver's compartment.
- 5.6.1.12.** If a driver's door or other exit from the compartment is provided in the circumstances described in paragraph 5.6.1.11. it may only count as an exit for passengers provided:
- 5.6.1.12.1.** it is not necessary to squeeze between the steering wheel and the driver's seat in order to make use of that exit;
- 5.6.1.12.2.** **it satisfies the requirements relating to the dimensions of emergency door indicated in paragraph 5.6.3.1.**
- 5.6.1.13.** Paragraphs **5.6.1.11.** and **5.6.1.12.** do not preclude there being a door or other barrier between the driver's seat and the passenger compartment provided that this barrier can be released quickly by the driver in an emergency. A driver's door in a compartment protected by such a barrier shall not be counted as an exit for passengers.

5.6.2. Siting of exits

Vehicles of Classes I, II or III shall meet the requirements shown below. Vehicles of Classes A or B may meet either the requirements shown below or those contained in annex 6, paragraph 1.2.

5.6.2.1. The service **door(s)** shall be situated on the side of the vehicle that is nearer to the side of the road corresponding to the direction of traffic in the country in which the vehicle is **to be** licensed for operation and at least one of them shall be in the forward half of the vehicle. **This does not preclude the provision of a door in the rear face of a Class A or B vehicle or a vehicle for use by wheelchair passengers.**

5.6.2.2. **Two of the doors shall be separated such that the distance between transverse vertical planes through their centres of area is not less than 40 per cent of the overall length of the passenger compartment measured parallel to the longitudinal axis of the vehicle.**

In the case of an articulated vehicle, this requirement shall be fulfilled if two doors of the different sections are separated such, that the distance between the doors is not less than 40 per cent of the overall length of the combined passenger compartment (all sections).

In the case of a double-deck vehicle, two of the doors shall be separated such that the distance between transverse vertical planes through their centres of area is not less than either 25 per cent of the overall length of the vehicle or 40 per cent of the overall length of the passenger compartment on the lower deck; this shall not apply if the two doors are on different sides of the vehicle.

In **all cases,** if one of these doors forms part of a double door this distance shall be measured between the doors which are furthest apart.

5.6.2.3. The exits (**in the case of double-deck vehicles, on each deck**) shall be placed in such a way that their number on each of the two sides of the vehicle is substantially the same.

5.6.2.4. At least one emergency exit shall be situated either in the rear face or in the front face of the vehicle respectively (**on the upper deck only in the case of double-deck vehicles**). **For Class I vehicles and for vehicles with a rear part permanently closed off from the passengers' compartment, this provision is fulfilled if an escape hatch is fitted.**

5.6.2.5. The exits on the same side of the vehicle shall be suitably spaced out along the length of the vehicle.

5.6.2.6. A door shall, provided **in the case of Class I, II or III vehicles** that it is not a service door, be permitted in the rear face of the vehicle.

5.6.2.7. If escape hatches are fitted, they shall be positioned as follows: If there is only one hatch, it shall be situated in the middle third of the **vehicle**; if there are two hatches, they shall be separated by a distance of at least 2 m measured between the

nearest edges of the apertures in a line parallel with the longitudinal axis of the vehicle.

5.6.3. Minimum dimensions of exits (see also annex 6)

5.6.3.1. The several kinds of exit shall have the following minimum dimensions of free access:

			Class I	Class II and III	Remarks
Service door	Door Aperture	Height (cm)	180	165	-
		Width (cm)	single door: 65 double door: 120		This dimension may be reduced by 10 cm when the measurement is made at the level of the hand-holds. The required width of free access shall be ensured in the height of 70 to 160 cm related to the level of the first step (see annex 4, figure 21).
Emergency Door		Height (cm)	125		-
		Width (cm)	55		
Emergency window	Area: (cm ²)		4000		It shall be possible to inscribe in this area a rectangle 50 cm high and 70 cm wide .
Emergency window situated in the rear face of the vehicle, if the manufacturer does not provide an emergency window of the minimum dimensions prescribed above.			It shall be possible to inscribe in the emergency window aperture a rectangle 35cm high and 155cm wide. The corners of the rectangle may be rounded to a radius of curvature not exceeding 25cm.		
Escape Hatch	Hatch Aperture	Area (cm ²)	4000		It shall be possible to inscribe in this area a rectangle measuring 50 cm x 70 cm.

5.6.3.2. **Vehicles of Class A or B may meet either the requirements shown in paragraph 5.6.3.1. (Class A meeting Class I requirements and Class B meeting Class II and III requirements) or those contained in annex 6, paragraph 1.1.**

5.6.4. Technical requirements for all service doors

5.6.4.1. Every service door shall be capable of being easily opened from inside and from outside the vehicle when the vehicle is stationary (but not necessarily when the vehicle is moving). However, this requirement shall not be construed as precluding the possibility of locking the door from the outside, provided that the door can always be opened from the inside.

5.6.4.2. Every control or device for opening a door from the outside shall be between 100 cm and 150 cm from the ground and not more than 50 cm from the door. In vehicles of Class I, II and III every control or device for opening a door from the inside shall be

between 100 cm and 150 cm from the upper surface of the floor or step nearest the control and be not more than 50 cm from the door. This shall not apply to controls located within the driver's area.

- 5.6.4.3. Every one-piece manually-operated **side** service door which is hinged or pivoted shall be so hinged or pivoted that if the open door comes into contact with a stationary object while the vehicle is moving forwards it tends to close.
- 5.6.4.4. If a manually-operated service door is fitted with a slam lock it shall be of the two-stage type.
- 5.6.4.5. On the inside of a service door there shall not be any device intended to cover the inside steps when the door is closed. This does not exclude the presence in the step well, when the door is closed, of the door operating mechanism and other equipment attached to the inside of the door which does not form an extension of the floor on which passengers may stand. ***This mechanism and equipment should not be dangerous for the passengers.***
- 5.6.4.6. If the direct view is not adequate, optical or other devices shall be installed to enable the driver to detect from his seat the presence of a passenger in the immediate interior and exterior vicinity of every side service door which is not an automatically-operated service door.
- In the case of vehicles of Class I, this requirement also applies to the interior of all service doors and, ***in the case of a Class I double-deck vehicle***, to the immediate vicinity of each intercommunication staircase on the upper deck.
- In the case of a service door in the rear face of a Class A or Class B vehicle, this requirement is satisfied if the driver is able to detect the presence of a person 1.3 m tall standing 1 m behind the vehicle.***
- 5.6.4.7. Every **door** which opens towards the interior of the vehicle **and its mechanism** shall be so constructed that its movement is not likely to cause injury to passengers in normal conditions of use. Where necessary, appropriate protection devices shall be fitted.
- 5.6.4.8. If a service door is located adjacent to a door to a toilet or other internal compartment the service door shall be proofed against unintentional operation. However, this requirement shall not apply if the door is locked automatically when the vehicle is moving at a speed exceeding 5 km/h.
- 5.6.4.9. ***In the case of vehicles of Class A or B, the service doors of which are in the rear face of the vehicle, the leaves shall not be capable of being opened more than 115° nor less than 85° and, when open, shall be capable of being held automatically in that position. This does not preclude the ability to override that stop and open the door beyond that angle when it is safe to do so; for example, to enable reversing against a high platform for loading or to open the doors through 270° to allow a clear loading area behind the vehicle.***
- 5.6.4.10. The service door in any open position shall not obstruct the use of, or required access to, any mandatory exit.

- 5.6.5. Additional technical requirements for power-operated service doors
- 5.6.5.1. In the event of an emergency every power-operated service door shall be capable, when the vehicle is stationary (but not necessarily when the vehicle is moving), of being opened from inside and, when not locked, from outside by controls which, whether or not the power supply is operating:
- 5.6.5.1.1. override all other **door** controls;
- 5.6.5.1.2. in the case of interior controls, are placed on, or within **30 cm** of, the door, at a height of not less than **160 cm** above the first step;
- 5.6.5.1.3. can be easily seen and clearly identified when approaching the door and when standing in front of the door **and, if additional to the normal opening controls, be clearly marked for emergency use;**
- 5.6.5.1.4. can be operated by one person when standing immediately in front of the door;
- 5.6.5.1.5. cause the door to open, or enable the door to be easily opened by hand;
- 5.6.5.1.6. may be protected by a device which can be easily removed or broken to gain access to the emergency control; the operation of the emergency control, or the removal of a protective cover over the control, shall be indicated to the driver both audibly and visually, and
- 5.6.5.1.7. in the case of a driver-operated door which does not comply with the requirements of **paragraph 5.6.5.6.1.1.**, shall be such that after they have been operated to open the door and returned to their normal position, the door will not close again until the driver subsequently operates a closing control.
- 5.6.5.2. A device may be provided which is operated by the driver from *the driving seat* to deactivate the outside emergency controls in order to lock the service doors from outside. In this case, the outside emergency controls shall be reactivated automatically either by the starting of the engine or before the vehicle reaches a speed of 20km/h. Subsequently, deactivation of the outside emergency controls shall not occur automatically, but shall require a further action by the driver.
- 5.6.5.3. Every driver-operated service door shall be capable of operation by the driver when in the driving seat using controls which, except in the case of a foot control, are clearly and distinctively marked.
- 5.6.5.4. Every power-operated service door shall activate a visual tell-tale, which shall be plainly visible to the driver when seated in the normal driving position in any ambient lighting condition, to warn that a door is not fully closed. This tell-tale shall signal whenever the rigid structure of the door is between the fully open position and a point **3 cm** from the fully closed position. One tell-tale may serve for one or more doors. However, no such tell-tale shall be fitted in respect of a front service door which does not comply with the requirements of paragraphs 5.6.5.6.1.1. and 5.6.5.6.1.2.
- 5.6.5.5. Where controls are provided for the driver to open and close a power-operated service door, they shall be such that the driver is

able to reverse the movement of the door at any time during the closing or opening process.

- 5.6.5.6. The construction and control system of every power-operated service door shall be such that a passenger is unlikely to be injured by the door or trapped in the door as it closes.
- 5.6.5.6.1. This requirement shall be considered satisfied if the following two requirements are met:
- 5.6.5.6.1.1. The first requirement is that when the closing of the door at any measuring point described in annex 5 to this Regulation is resisted by a clamping force not exceeding 150 N, the door shall reopen automatically to its fullest extent and, except in the case of an automatically-operated service door, remain open until a closing control is operated. The clamping force may be measured by any method to the satisfaction of the competent authority. Guidelines are given in annex 5 to this Regulation. The peak force may be higher than 150 N for a short time provided that it does not exceed 300 N. The reopening system may be checked by means of a test bar having a section of height 6 cm, width 3 cm with corners radiused to 5 mm.
- 5.6.5.6.1.2. The second requirement is that whenever the doors are closed onto the wrist or fingers of a passenger:
- 5.6.5.6.1.2.1. the door reopens automatically to its fullest extent and, except in the case of an automatically-operated service door, remains open until a closing control is operated, or
- 5.6.5.6.1.2.2. the wrist or fingers can be readily extracted from the doors without risk of injury to the passenger. This requirement may be checked by hand, or by means of the test bar mentioned in paragraph 5.6.5.6.1.1., tapered at one end over a length of 30 cm from a thickness of 3 cm to a thickness of 5 mm. It shall not be treated with polish nor lubricated. If the door traps the bar it shall be capable of being easily removed, or
- 5.6.5.6.1.2.3. the door is maintained at a position allowing the free passage of a test bar having a section of height 6 cm, width 2 cm, with corners radiused to 5 mm. This position shall not be more than 3 cm distant from the fully closed position.
- 5.6.5.6.2. In the case of a front service door the requirement of paragraph 5.6.5.6. shall be considered satisfied if the door:
- 5.6.5.6.2.1. fulfils the requirements of paragraphs 5.6.5.6.1.1. and 5.6.5.6.1.2., or
- 5.6.5.6.2.2. is fitted with soft edges; these shall not, however be so soft that if the doors are closed on the test bar mentioned in paragraph 5.6.5.6.1.1. the rigid structure of the doors will reach the fully closed position.
- 5.6.5.7. Where a power-operated service door is held closed only by the continued application of the power supply there shall be provided a visual warning device to inform the driver of any failure in the power supply to the doors.
- 5.6.5.8. A starting prevention device, if fitted, shall be effective only at speeds of less than 5 km/h and shall be incapable of operation above that speed.

- 5.6.5.9. ***If the vehicle is not fitted with a starting prevention device***, an audible warning to the driver ***shall*** be activated if the vehicle is driven away from rest when any power-operated service door is not fully closed. This audible warning shall be activated at a speed exceeding 5 km/h for doors complying with the requirements of paragraph ***5.6.5.6.1.2.3***.
- 5.6.6. Additional technical requirements for automatically-operated service doors
- 5.6.6.1. Activation of the opening controls.
- 5.6.6.1.1. Except as provided in paragraph 5.6.5.1., the opening controls of every automatically-operated service door shall be capable of being activated and deactivated only by the driver from his seat.
- 5.6.6.1.2. Activation and deactivation may be either direct, by means of a switch, or indirect, for example by opening and closing the front service door.
- 5.6.6.1.3. Activation of the opening controls by the driver shall be indicated inside and, where a door is to be opened from outside, also on the outside of the vehicle; the indicator (e.g. illuminated push-button, illuminated sign) shall be on or adjacent to the door to which it relates.
- 5.6.6.1.4. In the case of direct actuation by means of a switch the functional state of the system shall be clearly indicated to the driver, for example by the position of the switch or an indicator lamp or an illuminated switch. The switch shall be specially marked and arranged in such a way that it cannot be confused with other controls.
- 5.6.6.2. Opening of automatically-operated service doors.
- 5.6.6.2.1. After activation of the opening controls by the driver it shall be possible for passengers to open the door as follows:
- 5.6.6.2.1.1. from inside, for example by pressing a push-button or passing a light barrier, and
- 5.6.6.2.1.2. from outside, except in the case of a door intended only as an exit and marked as such, for example by pressing an illuminated push-button, a push-button beneath an illuminated sign, or a similar device marked with a suitable instruction.
- 5.6.6.2.2. The pressing of the push-buttons mentioned in paragraph 5.6.6.2.1.1., and the use of the means of communication with the driver mentioned in paragraph 5.7.9.1., may send a signal which is stored and which, after the activation of the opening controls by the driver, ***effects*** the opening of the door.
- 5.6.6.3. Closing of automatically-operated service doors.
- 5.6.6.3.1. When an automatically-operated service door has opened it shall close again automatically after a time interval has elapsed. If a passenger enters or leaves the vehicle during this time interval, a safety device (e.g. a footboard contact, light barrier, one-way gate) shall ensure that the time until the door closes is sufficiently extended.
- 5.6.6.3.2. If the passenger enters or leaves the vehicle while the door is closing, the closing process shall be interrupted automatically

and the door shall return to the open position. The reversal may be actuated by one of the safety devices referred to in paragraph 5.6.6.3.1. or by any other device.

- 5.6.6.3.3. A door that has closed automatically in accordance with paragraph 5.6.6.3.1. shall be capable of being opened again by a passenger in accordance with paragraph 5.6.6.2.; this shall not apply if the driver has deactivated the opening controls.
- 5.6.6.3.4. After deactivation of the opening controls of the automatically-operated service doors by the driver, open doors shall close in accordance with paragraphs 5.6.6.3.1. and 5.6.6.3.2.
- 5.6.6.4. Inhibition of the automatic closing process on doors marked for special service, e.g. for passengers with prams, **passengers with reduced mobility**, etc.
- 5.6.6.4.1. The driver shall be able to inhibit the automatic closing process by actuation of a special control. A passenger shall also be able to inhibit the automatic closing process directly by pressing a special push-button.
- 5.6.6.4.2. The inhibition of the automatic closing process shall be indicated to the driver, e.g. by a visual tell-tale.
- 5.6.6.4.3. Re-establishment of the automatic closing process shall in any case be capable of being done only by the driver.
- 5.6.6.4.4. Paragraph 5.6.6.3. shall apply to the subsequent closing of the door.
- 5.6.7. Technical requirements for emergency doors
- 5.6.7.1. Emergency doors shall be capable of being easily opened from inside and from outside when the vehicle is stationary. However, this requirement shall not be construed as precluding the possibility of locking the door from the outside provided that the door can always be opened from the inside by the use of the normal opening mechanism.
- 5.6.7.2. Emergency doors, **during their use as such**, shall not be of the power-operated **type unless, once the control prescribed in paragraph 5.6.5.1. has been actuated and returned to its normal position, the doors do not close again until the driver subsequently operates a closing control. They shall also not be** of the sliding type **except in the case of vehicles of Class A or B. For these vehicles a sliding door, which has been shown to be capable of being opened without the use of tools after a frontal barrier collision test in accordance with Regulation No. 33, can be accepted as an emergency door.**
- 5.6.7.3. **Every control or device for opening an emergency door from the outside (on the lower deck in the case of double-deck vehicles) shall be between 100 and 150 cm from the ground and not more than 50 cm from the door. In vehicles of Classes I, II and III every control or device for opening an emergency door from the inside shall be between 100 and 150 cm from the upper surface of the floor or step nearest to the control and be not more than 50 cm from the door. This shall not apply to controls located within the driver's area.**

- 5.6.7.4. **Hinged** emergency doors fitted to the side of the vehicle shall be hinged at their forward edge and shall open outwards. Check straps, chains or other restraining devices shall be permitted, provided that they do not prevent the door from opening to, and remaining open at, an angle of at least 100°. If a means is provided sufficient to give free passage to the emergency door access gauge, the 100° minimum angle requirement shall not apply.
- 5.6.7.5. **Emergency doors** shall be proofed against unintentional operation. However, this requirement shall not apply if the emergency door is locked automatically when the vehicle is moving at a speed exceeding 5 km/h.
- 5.6.7.6. All emergency doors which cannot easily be seen from the driver's seat shall be provided with an audible device to warn the driver when they are not securely closed. The warning device shall be operated by movement of the door catch or handle and not by movement of the door itself.
- 5.6.8. Technical requirements for emergency windows.
- 5.6.8.1. Every hinged **or ejectable** emergency window shall open outwards. **Ejectable types shall not become totally detached from the vehicle when operated. The operation of ejectable windows shall be such that inadvertent ejection is effectively prevented.**
- 5.6.8.2. Every emergency window shall either:
- 5.6.8.2.1. be capable of being easily and instantaneously operated from inside and from outside the vehicle by means of a device recognised as satisfactory by the competent authority, or
- 5.6.8.2.2. be made of readily-breakable safety glass. This latter provision precludes the possibility of using panes of laminated glass or of plastic material. **A device shall be provided adjacent to each emergency window, readily available to persons inside the vehicle, to ensure that the window can be broken.**
- 5.6.8.3. Every emergency window which can be locked from the outside shall be so constructed as to be capable of being opened at all times from inside the vehicle.
- 5.6.8.4. **If the emergency window is of a type horizontally hinged at the top edge, an appropriate device shall be provided to hold it fully open. Every hinged emergency window shall operate so as not to obstruct clear passage from inside or outside the vehicle. Emergency windows which open or eject shall do so towards the exterior.**
- 5.6.8.5. The height of the lower edge of an emergency window fitted in the side of the vehicle from the general level of the floor immediately below it (excluding any local variations such as the presence of a wheel or transmission housing) shall be not more than **120 cm** nor less than 65cm in the case of a hinged emergency window, or 50 cm in the case of a window made of breakable glass.
- However, in the case of a hinged emergency window, the height of the lower edge may be reduced to a minimum of 50 cm provided that the window aperture is equipped with a guard up to a height of 65 cm to prevent the possibility of passengers falling out of the vehicle. Where the window aperture is equipped with a guard, the size of the window aperture above the guard shall not be less than the minimum size prescribed for an emergency window.

- 5.6.8.6. Every hinged emergency window which is not clearly visible from the driver's seat shall be fitted with an audible warning device to warn the driver when it is not completely closed. The window lock, and not the movement of the window itself, shall actuate this device.
- 5.6.9. Technical requirements for escape hatches.
- 5.6.9.1. Every escape hatch shall operate so as not to obstruct the clear passage from inside or outside the vehicle.
- 5.6.9.2. **Roof escape hatches shall be ejectable, hinged or made of readily-breakable safety glass. Floor hatches shall be either hinged or ejectable and shall be fitted with an audible warning device to warn the driver when it is not securely closed. The floor escape hatch lock, and not the movement of the hatch itself, shall actuate this device. Floor escape hatches shall be proofed against unintentional operation. However this requirement shall not apply if the floor hatch is locked automatically when the vehicle is moving at a speed exceeding 5 km/h.**
- 5.6.9.3. **Ejectable types shall not become totally detached from the vehicle when operated such that the hatch is not a danger to other road users. The operation of ejectable escape hatches shall be such that inadvertent operation is effectively prevented. Floor ejectable hatches shall eject only into the passenger compartment.**
- 5.6.9.4. **Hinged escape hatches shall hinge along the edge towards the front or rear of the vehicle and shall hinge through an angle of at least 100 degrees. Hinged floor escape hatches shall hinge into the passenger compartment.**
- 5.6.9.5. Escape hatches shall be capable of being easily opened or removed from the inside and from the outside. However, this requirement shall not be construed as precluding the possibility of locking the escape hatch for the purpose of securing the vehicle when unattended, provided that the escape hatch can always be opened or removed from the inside by the use of the normal opening or removal mechanism. **In the case of a readily-breakable hatch, a device shall be provided adjacent to the hatch, readily available to persons inside the vehicle, to ensure that the hatch can be broken.**
- 5.6.10. Technical requirements for retractable steps
- Retractable steps if fitted shall comply with the following requirements:
- 5.6.10.1. **the operation of retractable steps may** be synchronised with that of the corresponding service or emergency door;
- 5.6.10.2. when the door is closed no part of the retractable step shall project more than 1 cm beyond the adjacent line of the body work;
- 5.6.10.3. When the door is open and the retractable step is in the extended position, the surface area shall conform to the requirements of paragraph 5.7.7.;
- 5.6.10.4. **in the case of a power-operated step,** it shall not be possible for the vehicle to move from rest, under its own power, when the step is in the extended position. In the case of a manually operated

step, an audible indication shall alert the driver when the step is not fully retracted.

- 5.6.10.5. **a power-operated** step shall not be capable of being extended when the vehicle is in motion. If the device to operate the step fails, the step shall retract and remain in the retracted position. However, the operation of the corresponding door shall not be hindered in the event of such a failure or by the step being damaged **or obstructed**.
- 5.6.10.6. when a passenger is standing on **a power-operated** retractable step, the corresponding door shall be incapable of being closed. Compliance with this requirement shall be checked by placing a mass of 15 kg, representing a small child, at the centre of the step. This requirement shall not apply to any door within the driver's direct field of view.
- 5.6.10.7. the movement of the retractable step shall not be liable to cause any bodily harm either to passengers or to persons waiting at bus stops;
- 5.6.10.8. the corners of retractable steps facing forwards or rear-wards shall be rounded to a radius of not less than 5 mm; the edges shall be rounded to a radius of not less than 2.5 mm;
- 5.6.10.9. when the passenger door is open, the retractable step shall be securely held in the extended position. When a mass of 136 kg is placed in the centre of a single step or a mass of 272 kg is placed in the centre of a double step the deflection at any point on the step shall not exceed 1 cm.
- 5.6.11. Markings**
- 5.6.11.1. Each emergency exit shall be marked, **inside and outside the vehicle**, by an inscription reading "Emergency exit" **supplemented by an international representative symbol**.
- 5.6.11.2. The emergency controls of service doors and of all emergency exits shall be marked as such inside and outside the vehicle either by a representative symbol or by a clearly-worded inscription.
- 5.6.11.3. Clear instructions concerning the method of operation shall be placed on or close to every emergency control of an exit.
- 5.6.11.4. The language in which any textual markings intended to comply with paragraphs 5.6.11.1. to 5.6.11.3. are to be inscribed shall be determined by the approving authority bearing in mind the country/countries in which the applicant intends to market the vehicle in liaison if necessary with the competent authorities of the country/ countries concerned. **If the authority of the country where the vehicle is to be registered subsequently requires the text to be, this change shall not require any new type-approval process**.
- 5.6.11.5. **The area of the floor swept by the door and its mechanism, when it is operated, shall be clearly and strikingly marked, if this area is not a staircase.**
- 5.7. Interior arrangements
- 5.7.1. Access to service doors (see annex 4, figure 1)

- 5.7.1.1. The free space extending inwards into the vehicle from the side wall in which the door is mounted shall permit the free passage of a vertical rectangular panel 2 cm thick, 40 cm wide and 70 cm in height above the floor, having a second panel 55 cm wide superimposed symmetrically above it; the height of the second panel being as prescribed for the relevant class of vehicle. **The dual panel shall be maintained parallel with the door aperture as it is moved from the starting position, where the plane of the face nearest to the interior of the vehicle is tangential to the outermost edge of the aperture, to the position where it touches the first step, after which it shall be kept at right angles to the probable direction of motion of a person using the entrance.**
- 5.7.1.2. **The height of the upper rectangular panel shall be for the relevant class of vehicle and category as prescribed in the table below. As an alternative, a trapezoidal section, having a height of 50 cm, forming the transition between the width of the upper and the lower panel, may be used. In this case, the total height of the rectangular section and this trapezoidal section of the upper panel shall be 110 cm for classes I, II or III, and 95 cm for classes A or B.**

Vehicle Class	Height of the upper panel (cm) (Dimension 'A' figure 1)		Total	Width
		Alternative trapezoidal section		
Class A(*)	95	95	165	55 (**)
Class B(*)	70	95	140	
Class I	110	110	180	
Class II	95	110	165	
Class III	85	110	155	

(*) For vehicles of Class A or B, the lower panel may be displaced relative to the upper panel provided that it is in the same direction.

(**) The width of the upper panel may be reduced at the top to 40 cm when a chamfer not exceeding 30 degrees from the horizontal is included.

- 5.7.1.3. When the centre line of this dual panel has traversed a distance of 30 cm from its starting position and the dual panel is touching the step surface, it shall be retained in that position.
- 5.7.1.4. The cylindrical figure (see annex 4, figure 6) used for testing the gangway clearance shall then be moved starting from the gangway, in the probable direction of motion of a person leaving the vehicle, until its centre line has reached the vertical plane which contains the top edge of the uppermost step, or until a plane tangential to the upper cylinder touches the dual panel, whichever occurs first, and retained in that position (see annex 4, figure 2).
- 5.7.1.5. Between the cylindrical figure, at the position set out in paragraph 5.7.1.4., and the dual panel, at the position set out in paragraph 5.7.1.3., there shall be a free space whose upper and lower limits are shown in annex 4, figure 2. This free space

shall permit the free passage of a vertical panel whose form and dimensions are the same as the cylindrical form (paragraph 5.7.5.1.), central section and a thickness of no more than 2 cm. This panel shall be moved, from the cylindrical form tangential position, until its external side is in contact with the dual panel interior side, touching the plane or planes defined by the step upper edges, in the probable direction of motion of a person using the entrance (see annex 4, figure 2).

- 5.7.1.6. The free passage clearance for this figure shall not include any space extending to 30 cm in front of any uncompressed seat cushion of a forward or rearward facing seat, or 22.5 cm in the case of seats fitted at wheel arches, and to the height of the top of the seat cushion (*see annex 4, figure 20*).
- 5.7.1.7. In the case of a folding seat, this space shall be determined with the seat in the position of use.
- 5.7.1.8. However, a folding seat for use by the crew may obstruct the access passage to a service door when in the position of use provided that:
- 5.7.1.8.1. it is clearly indicated, both in the vehicle itself and on the communication form (see annex 1), that the seat is for the use of crew only,
- 5.7.1.8.2. when the seat is not in use it folds automatically as necessary to enable the requirements of paragraphs 5.7.1.1. or 5.7.1.2. and 5.7.1.3., 5.7.1.4. and 5.7.1.5. to be met;
- 5.7.1.8.3. the door is not considered to be a mandatory exit for the purpose of paragraph 5.6.1.5.,
- 5.7.1.8.4. the seat is fitted with a retractable seat belt, and
- 5.7.1.8.5. when the seat is in the position of use, and when it is in the folded position, no part of it shall be forward of a vertical plane passing through the centre of the seating surface of the driver's seat in its rearmost position and through the centre of the exterior rear-view mirror mounted on the opposite side of the vehicle.
- 5.7.1.9. *In the case of vehicles having a capacity not exceeding 22 passengers a doorway and the route by which passengers gain access to it shall be considered unobstructed if they have:*
- 5.7.1.9.1. *measured parallel with the longitudinal axis of the vehicle, there is a clearance of not less than 22 cm at any point and 55 cm at any point being more than 50 cm above the floor or steps (see annex 4, figure 3).*
- 5.7.1.9.2. *measured perpendicular to the longitudinal axis of the vehicle, there is a clearance of not less than 30 cm at any point and 55 cm at any point being more than 120 cm above the floor or steps or less than 30 cm below the ceiling (see annex 4, figure 4).*
- 5.7.1.10. *The service door and emergency door dimensions in paragraph 5.6.3.1. and the requirements of paragraphs 5.7.1.1. to 5.7.1.7., 5.7.2.1. to 5.7.2.3., 5.7.5.1. and 5.7.8.5. shall not apply to a vehicle of class B with a technically permissible maximum mass not exceeding 3.5 tonnes and up to 12 passenger seats in which each seat has unobstructed access to at least two doors.*

- 5.7.1.11. The maximum slope of the floor in the access passage shall not exceed 5 per cent.
- 5.7.1.12. Gangways and access passages shall be covered with an anti-slip material.
- 5.7.2. Access to emergency doors (see annex 4, figure 5)
- 5.7.2.1. The free space between the gangway and the emergency door aperture shall permit the free passage of a vertical cylinder 30 cm in diameter and 70 cm high from the floor and supporting a second vertical cylinder 55 cm in diameter, the aggregate height of the assembly being 140 cm.
- The diameter of the upper cylinder may be reduced at the top to 40 cm when a chamfer not exceeding 30° from the horizontal is included.***
- 5.7.2.2. The base of the first cylinder shall be within the projection of the second cylinder.
- 5.7.2.3. Where folding seats are installed alongside this passage, the free space for the cylinder shall be required to be determined when the seat is in the ***position for use***.
- 5.7.2.4. As an alternative to the dual cylinder, the gauging device described in paragraph 5.7.5.1. may be used (see annex 4, figure 6).
- 5.7.3. Access to emergency windows
- 5.7.3.1. It shall be possible to move a test gauge from the gangway to the exterior of the vehicles through every emergency window.
- 5.7.3.2. The direction of motion of the test gauge shall be in the direction in which a passenger evacuating the vehicle would be expected to move. The test gauge shall be kept perpendicular to that direction of motion.
- 5.7.3.3. The test gauge shall be in the form of a thin plate having a size of 60 cm x 40 cm with corners radiused by 20 cm. However, in the case of an emergency window in the rear face of the vehicle, the test gauge may alternatively have a size of 140 cm x 35 cm with corners radiused by 17.5 cm.
- 5.7.4. Access to escape hatches
- 5.7.4.1. Escape hatches in the roof (see annex 4, figure 27)
- 5.7.4.1.1. Except in the case of Class I vehicles, at least one escape hatch shall be located such that a four-sided truncated pyramid having a side angle of 20° and a height of 160 cm touches part of a seat or equivalent support. The axis of the pyramid shall be vertical and its smaller section shall contact the aperture area of the escape hatch. Supports may be foldable or movable provided they can be locked in their position of use. This position shall be taken for verification.
- 5.7.4.1.2. When the structural thickness of the roof is more than 15 cm, the smaller section of the pyramid shall contact the aperture area of the escape hatch at the level of the outside surface of the roof.

5.7.4.2. Escape hatches in the floor.

In the case of an escape hatch fitted in the floor, the hatch shall give direct and free access to the exterior of the vehicle and be fitted where there is a clear space above the hatch equivalent to the height of the gangway. Any heat source or moving components shall be at least 50 cm from any part of the hatch aperture.

It shall be possible to move a test gauge in the form of a thin plate having 60 cm x 40 cm with corners radiused by 20 cm in a horizontal position from a height above the floor of the vehicle of 1 m to the ground.

5.7.5. Gangways (see annex 4, figure 6)

5.7.5.1. The gangway(s) shall be so designed and constructed as to permit the free passage of a gauging device consisting of two co-axial cylinders with an inverted truncated cone interposed between them, the gauging device having the following dimensions (in cm):

<i>Except double-deck:</i>	<i>Class I</i>	<i>Class</i>	<i>Class</i>	<i>Class A</i>	<i>Class B</i>
<i>Diameter of lower cylinder 'A'</i>	45	35	30	35	30
<i>Height of lower cylinder</i>	90	90	90	90	90
<i>Diameter of upper cylinder 'C'</i>	55	55	45	55	45
<i>Height of upper cylinder 'B'</i>	50 (*)	50 (*)	50 (*)	50 (*)	30
<i>Overall height 'H'</i>	190 (*)	190 (*)	190 (*)	190 (*)	150 (*)

<i>Double-deck</i>	<i>Class I (*)</i>		<i>Class II (*)</i>		<i>Class III (*)</i>	
<i>Upper deck/lower deck:</i>	UD	LD	UD	LD	UD	LD
<i>Diameter of lower cylinder</i>	45	45	35	35	30	30
<i>Height of lower cylinder</i>	90	102 (90/ 99)	90	102 (90/ 99)	90	102 (90/ 99)
<i>Diameter of upper cylinder</i>	55	55	55	55	45	45
<i>Height of upper cylinder</i>	50	50	50	50	50	50
<i>Overall height</i>	168	180 (168/177)	168	180 (168/177)	168	180 (168/177)

(*) *Dimensions in brackets apply for the rearmost part of the lower deck and near the front axle only (see paragraph 5.7.5.3.)*
The height of the upper cylinder and herewith the overall height may be reduced by 10 cm in any part of the gangway to the rear of:
- *a transverse plane situated 1.5 m forward of the centre line of the rear axle (foremost rear axle in the case of vehicles with more than one rear axle), and*
- *a transverse vertical plane situated at the rear edge of the service door or of the rearmost service door if there are more than one service door.*

The diameter of the upper cylinder may be reduced at the top to 30 cm when a chamfer not exceeding 30 degrees from the horizontal is included

The gauging device may come into contact with strap hangers for standing passengers, if fitted, **or other flexible objects such as seat belt components** and move them away.

- 5.7.5.2. On vehicles of Class I **or A**, the diameter of the lower cylinder may be reduced **by 5 cm** in any part of the gangway which is located to the rear of the most forward of the following two planes:
 - 5.7.5.2.1. a transverse vertical plane situated 1.5 m forward of the centre line of the rear axle (foremost rear axle in the case of vehicles with more than one rear axle);
 - 5.7.5.2.2. a transverse vertical plane situated at the rear edge of the rearmost service door in between the axles.
 - 5.7.5.2.3. For the purpose of the application of paragraphs 5.7.5.2.1. and 5.7.5.2.2., each rigid section of an articulated vehicle shall be considered separately.
- 5.7.5.3. The overall height of the gauging device may, **in the case of a double-deck vehicle**, be reduced:
 - 5.7.5.3.1. from 180 cm to 168 cm **in** any part of the gangway of the lower deck to the rear of a transverse vertical plane situated 150 cm forward to the centre line of the rear axle (foremost rear axle in the case of vehicles with more than one rear axle); and
 - 5.7.5.3.2. from 180 cm to 177 cm by reducing the height of the lower cylinder by 3 cm in case of a service door which is situated forward of the front axle in any part of the gangway situated between two transverse vertical planes situated 80 cm forwards of and behind the centre line of the front axle.
- 5.7.5.4. If there is no exit forward of a seat or row of seats:
 - 5.7.5.4.1. In the case of forward-facing seats, the front edge of the cylindrical gauge defined in paragraph 5.7.5.1. shall reach the transverse vertical plane tangential to the foremost point of the foremost front row seat back and be retained in that position. From this plane, it must be possible to move the panel described in figure 7 in annex 4, in such a way that starting from the contact position with the cylindrical gauge, the panel side facing the exterior of the vehicle is displaced forwards a distance of 66 cm. (see **figure 7 in annex 4**)
 - 5.7.5.4.2. In the case of sideways facing seats, the forward part of the cylindrical gauge must reach at least the transversal plane which coincides with a vertical plane passing through the centre of the forward seat). (see **figure 7 in annex 4**)
 - 5.7.5.4.3. In the case of rearward facing seats, the forward part of the cylindrical gauge shall reach at least the transverse vertical plane tangential to the face of the seat cushions of the forward row or seat (**see figure 7 in annex 4**).
- 5.7.5.5. On vehicles of Class III the seats on one side or on both sides of the gangway may be movable laterally, it being then possible to reduce the width of the gangway to a figure corresponding to a lower cylinder diameter of 22 cm, on condition that the operation

of a control on each seat, readily accessible to a person standing in the gangway, shall be sufficient to cause the seat to return **easily and, if possible**, automatically, even when it is loaded, to the position corresponding to a minimum width of 30 cm.

- 5.7.5.6. On articulated vehicles, the gauging device defined in paragraph 5.7.5.1. shall be able to pass unobstructed through the articulated section on any deck where the two sections permit through passage by passengers. No part of the soft covering of that section, including parts of bellows, shall project into the gangway.
- 5.7.5.7. Steps may be fitted in the gangways. The width of such steps shall not be less than the width of the gangway at the top of the steps.
- 5.7.5.8. Folding seats allowing passengers to sit in the gangway shall not be permitted.
- 5.7.5.9. ***Laterally-sliding seats which in one position encroach on the gangway shall not be permitted except on vehicles of Class III and subject to the conditions prescribed in paragraph 5.7.5.5.***
- 5.7.5.10. ***In the case of vehicles to which paragraph 5.7.1.9. applies, a gangway shall not be necessary provided the access dimensions specified in that paragraph are respected.***
- 5.7.5.11. ***The surface of gangways and access passages shall be slip-resistant.***
- 5.7.6. Intercommunication staircase of double-deck vehicle (see annex 4, figure 1).
- 5.7.6.1. The minimum width of any intercommunication staircase shall be so designed as to permit the free passage of the single door access template as defined in figure 1 of annex 4. The panel shall be moved starting from the gangway of the lower deck up to the last step, in the probable direction of motion of a person using the staircase.
- 5.7.6.2. Intercommunication staircases shall be so designed that, during heavy braking of the vehicle moving in the forward direction, there is no danger of a passenger being projected downwards.
- This requirement is considered to be fulfilled if at least one of the following conditions is met:
- 5.7.6.2.1. No part of the staircase is forward descending;
- 5.7.6.2.2. The staircase is equipped with guards or a similar provision;
- 5.7.6.2.3. There is an automatic device in the upper part of the staircase which prevents the use of the staircase when the vehicle is in motion; this device shall be easy to open in an emergency;
- 5.7.6.3. It shall be verified, by use of the cylinder of paragraph 5.7.5.1., that access conditions from the gangways (upper and lower) to the staircase are adequate.
- 5.7.6.4. Slope of gangway

The slope of the gangway shall not exceed:

- 5.7.6.4.1. in the longitudinal direction:
- 5.7.6.4.1.1. 8 per cent in the case of a vehicle of Class I, II or A, or
- 5.7.6.4.1.2. 12.5 per cent in the case of a vehicle of Class III or B.
- 5.7.6.4.2. In the transversal direction, 5 per cent for all classes.
- 5.7.7. Steps (see annex 4, figure 8)**
- 5.7.7.1. The maximum and minimum height, and the minimum depth, of steps for passengers at service and emergency doors and within the vehicle are specified in annex 4, figure 8.
- 5.7.7.2. For the purposes of this paragraph, the height of a step shall be measured at the centre of its width. Furthermore, manufacturers should specifically take account of access by **passengers with reduced mobility**, particularly in relation to step height in Class I being kept to a minimum.
- 5.7.7.3. Any transition from a sunken gangway to a seating area shall not be considered to be a step. However, the vertical distance between the gangway surface and the floor of the seating area shall not exceed 35 cm.
- 5.7.7.4. *The height of the first step in relation to the ground shall be measured with the tyre equipment and pressure specified by the manufacturer for the technically permissible maximum laden mass (M).***
- 5.7.7.5. Where there is more than one step, each step may extend into the area of the vertical projection of the next step by up to 10 cm and the projection over the tread below shall leave a free surface of at least 20 cm in depth (see annex 4, figure 8) with all step nosings being designed such as to minimise the risk of tripping and being in a light, contrasting colour **or distinctively marked**.
- 5.7.7.5. The width and shape of every step shall be such that a rectangle **as indicated in the table below** can be placed on that step with not more than 5per cent of the area of the appropriate rectangle overhanging the step. At a double doorway each half of the doorway shall fulfil this requirement.

Number of passengers		> 22	< 22
Area	First step (cm)	40 x 30	40 x 20
	Other steps (cm)	40 x 20	40 x 20

- 5.7.7.6. All steps shall have a slip-resistant surface.
- 5.7.7.7. The maximum slope of the step in any direction shall not exceed 5 per cent.
- 5.7.8. Passenger seats (including folding seats) and space for seated passengers
- 5.7.8.1. Minimum seat width (see annex 4, figure 9)
- 5.7.8.1.1. The minimum width of the seat cushion, dimension F (annex 4, figure 9), measured from a vertical plane passing through the centre of that seating position, shall be:

Class I, II, A, B 20 cm.
Class III 22.5 cm.

5.7.8.1.2. The minimum width of the available space for each seating position, **dimension G (annex 4, figure 9)**, measured from a vertical plane passing through the centre of that seating position at height between 27 cm and 65 cm above the uncompressed seat cushion, shall be not less than:

individual seats: 25 cm
continuous rows of seats for two or more passengers 22.5 cm.

5.7.8.1.3. **For vehicles 2.35 m in width or less, the width of the available space for each seating position, measured from a vertical plane passing through the centre of that seating position at heights between 27 and 65 cm above the uncompressed seat cushion shall be 20 cm (see annex 4, figure 9A). In case of compliance with this paragraph the requirements of paragraph 5.7.8.1.2. shall not apply.**

5.7.8.1.4. **For vehicles having a capacity not exceeding 22 passengers, in the case of seats adjacent to the wall of the vehicle, the available space does not include, in its upper part, a triangular area 2 cm wide by 10 cm high (see annex 4, figure 10). In addition, the space needed for safety belts and their anchorages and for the sun visor should be considered as exempted.**

5.7.8.1.5. In measuring the gangway width, no account shall be taken of whether or not the available space defined above protrudes into the gangway.

5.7.8.2. Minimum depth of seat cushion (**dimension K**, see annex 4, figure 11)

The minimum depth of a seat cushion shall be:

5.7.8.2.1. **35 cm in vehicles of Classes I, A and B, and**

5.7.8.2.2. **40 cm in vehicles of Classes II and Class III.**

5.7.8.3. Height of seat cushion (**dimension H**, see annex 4, figure 11)

The height of the uncompressed seat cushion relative to the floor shall be such that the distance from the floor to a horizontal plane **tangential** to the front upper surface of the seat cushion is between 40 cm and 50 cm: this height may however be reduced to not less than 35 cm at the wheel arches and at the engine compartment.

5.7.8.4. Seat spacing (see annex 4, figure 12)

5.7.8.4.1. In the case of seats facing in the same direction, the distance between the front of a seat squab and the back of the squab of the seat preceding it (**dimension H**), shall, when measured horizontally and at all heights above the floor between the level of the top surface of the seat cushion and a point 62 cm above the floor, not be less than:

H	
Classes I, A and B	65 cm
Classes II and III	68 cm

- 5.7.8.4.2. All measurements shall be taken, with the seat cushion and squab uncompressed, in a vertical plane passing through the centreline of the individual seating place.
- 5.7.8.4.3. Where transverse seats face one another the minimum distance between the front faces of the seat squabs of facing seats, as measured across the highest points of the seat cushions, shall be not less than 130 cm.
- 5.7.8.4.4. **Measurements will be taken with reclining passenger seats and adjustable driving seats with their seat backs and other seat adjustments in the normal position of use specified by the manufacturer.**
- 5.7.8.4.5. **Measurements shall be taken with any folding table fitted to a seat back in the folded (stowed) position.**
- 5.7.8.4.6. **Seats which are mounted on a track or other system which permits the operator or the user to easily vary the interior configuration of the vehicle shall be measured in the normal position of use specified by the manufacturer in the application for approval.**
- 5.7.8.5. Space for seated passengers (see annex 4, figure 13)
- 5.7.8.5.1. A minimum clear space in front of each passenger seat shall be provided as shown in annex 4, figure 13. The seat-back of another preceding seat or a partition whose contour corresponds approximately to that of the inclined seat back may intrude into this space as provided by paragraph 5.7.8.4. The local presence in this space of seat legs shall also be permitted provided that adequate space remains for the passenger's feet. In the case of seats alongside the driver's seat in vehicles with up to 22 passengers, intrusion of the dashboard, instrument panel, windscreen, sun visor, seat belts and seat belt anchorages shall be allowed.
- 5.7.8.5.2. However, at least two forward or rearward facing seats **in Class I and Class II, and one in Class A**, specifically intended and marked for passengers with reduced mobility other than wheelchair users shall be provided in that part of the bus which is most suitable for boarding. These seats shall be designed for passengers with reduced mobility so as to provide enough space, shall have suitably designed and placed handholds to facilitate entry and exit of the seat and provide communication in accordance with paragraph 5.7.9. from the seated position.
- 5.7.8.5.2.1. **These seats shall provide at least 110 per cent of the space specified in paragraph 5.7.8.5.1.**
- 5.7.8.6. Free height over seating positions
- 5.7.8.6.1. Over each seating position and, **except in the case of the front row seats in a vehicle not exceeding 22 passengers, its associated foot space, there shall be measured** a free space with a height of not less than 90 cm measured from the highest point of the uncompressed seat cushion **and, in a vehicle not exceeding 22 passengers, at least 135 cm from the mean level of the floor in the foot space.**

In the case of vehicles to which paragraph 5.7.1.10. applies, this dimension may be reduced to 120 cm measured from the floor.

In the case of the upper deck and the rearmost part of the lower deck as described in paragraph 5.7.5.3.1., this free height may be reduced to 85 cm.

- 5.7.8.6.2. *This free space shall be extended over the zone defined:*
- 5.7.8.6.2.1. *by longitudinal vertical planes 20 cm either side of the median vertical plane of the seating position, and;*
- 5.7.8.6.2.2. *by a transverse vertical plane through the rearmost upper point of the seat back and by a transverse vertical plane 28 cm in front of the foremost point of the uncompressed seat cushion, measured in each case at the median vertical plane of the seating position.*
- 5.7.8.6.3. *From the edges of the free space defined by paragraphs 5.7.8.6.1. and 5.7.8.6.2., the following zones may be excluded:*
- 5.7.8.6.3.1. *in the case of the upper part of the outboard seats, a zone with a rectangular cross-section 15 cm in height and 10 cm in width (see annex 4, figure 14).*
- 5.7.8.6.3.2. *in the case of the upper part of outboard seats, a zone with a triangular cross-section whose apex is situated 65 cm from the floor and whose base is 10 cm in width (see annex 4, figure 15);*
- 5.7.8.6.3.3. *in the case of the foot well of an outboard seat, a zone of a cross-sectional area not exceeding, 0.02 m² (0.03 m² for Class I low floor vehicles) and having a maximum width not exceeding 10 cm (15 cm for Class I low floor vehicles) (see annex 4, figure 16)*
- 5.7.8.6.3.4. *In the case of a vehicle for up to 22 passengers, in the case of the seating places nearest to the rear corners of the body, the outer rear edge of the free space, viewed in plan, may be rounded to a radius not exceeding 15 cm (see annex 4, figure 17).*
- 5.7.8.6.4. *In the free space defined by paragraphs 5.7.8.6.1., 5.7.8.6.2. and 5.7.8.6.3., the following additional intrusions shall be permitted:*
- 5.7.8.6.4.1. *intrusion of the back of another seat, its supports and its attachments (e.g. folding table);*
- 5.7.8.6.4.2. *In the case of a vehicle for up to 22 passengers, intrusion of a wheel arch provided that one of the following two conditions is fulfilled:*
- 5.7.8.6.4.2.1. *the intrusion does not extend beyond the median vertical plane of the seating position (see annex 4, figure 18), or*
- 5.7.8.6.4.2.2. *the nearest edge of the area 30 cm in depth available for the feet of the seated passenger is advanced no more than 20 cm from the edge of the uncompressed seat cushion and to not more than 60 cm in front of the squab of the seat, these measurements being made in the median vertical plane of the seating position. (see annex 4, figure 19). In the case of two seats facing each other this provision shall apply to only one of the seats and the remaining space for the feet of seated passengers must be at least 40 cm.*

5.7.8.6.4.3. *In the case of seats alongside the driver's seat in vehicles with up to 22 passengers, intrusion of the dashboard / instrument panel, windscreen, sun visors, seat belts, seat belt anchorages and front dome.*

5.7.8.6.4.4. Intrusion of hopper type windows when open and their fittings.

5.7.9. Communication with the driver

5.7.9.1. *On vehicles of Classes I, II and A, a means shall be provided to enable passengers to signal to the driver that she/he should stop the vehicle. The controls for all such communication devices shall have protruding buttons, in vehicles of Class I and A no more than 120 cm from the floor, and shall be a contrasting colour or colours. Controls shall be distributed adequately and evenly throughout the vehicle. Activation of the control shall also be indicated to the passengers by means of one or more illuminated signs. The sign shall display the words, for example:*

*"bus stopping"
"arrêt demandé"
"parada solicitada"
"standser"
"Bus hält"
"στάση"
"fermata richiesta"
"bus stopt"
"paragem"
"pysähtyy"
"stannar"*

or equivalent, and/or a suitable pictogram and shall remain illuminated until the service door(s) open. Articulated vehicles shall have such signs in each rigid section of the vehicle. Double-deck vehicles shall have them on each deck.

5.7.9.2. Communication with the crew compartment.

If a crew compartment is fitted without access to the driver or passenger compartments, a means of communication between the driver and this crew compartment shall be provided.

5.7.9.3. Toilet compartments shall be fitted with a means of summoning assistance in an emergency.

5.7.10. Hot drink machines and cooking equipment

5.7.10.1. Hot drink machines and cooking equipment shall be so installed or guarded that no hot food or drink is likely to be spilled on any passenger due to emergency braking or cornering forces.

5.7.10.2. *On vehicles fitted with hot drinks machines or cooking equipment, all passenger seats shall have adequate provision for setting down hot food or drink whilst the vehicle is in motion.*

5.7.11. Doors to interior compartments

Every door to a toilet or other interior compartment:

- 5.7.11.1. shall be self-closing, and shall not be fitted with any device to hold it open if, when open, it could obstruct passengers in an emergency,
- 5.7.11.2. shall, when open, not conceal any handle, control device for opening or obligatory marking associated with any service door, emergency door, emergency exit, fire extinguisher or first aid kit;**
- 5.7.11.3. shall be provided with a means to enable the door to be opened from outside the compartment in an emergency,
- 5.7.11.4. shall not be capable of being locked from the outside unless it can always be opened from the inside.
- 5.8. Artificial interior lighting
- 5.8.1. Internal electrical lighting shall be provided for the illumination of:
- 5.8.1.1. all passenger compartments, **crew compartments, toilet compartments** and the articulated section of an articulated **vehicle**;
- 5.8.1.2. any step or steps;
- 5.8.1.3. the access to any exits **and the area immediately around the service door(s)**;
- 5.8.1.4. the internal markings and internal controls of all exits;
- 5.8.1.5. all places where there are obstacles.
- 5.8.2. Individual lights for each of the above items is not required providing adequate illumination can be maintained during normal use.
- 5.8.3.** There shall be at least two internal lighting circuits such that failure of one will not affect the other. A circuit serving only permanent entry and exit lighting can be considered as one of these circuits.
- 5.8.4. Provisions shall be made to protect the driver from the effects of glare and reflections caused by artificial interior lighting.**
- 5.9. Articulated section of articulated vehicles
- 5.9.1. The articulated section that interconnects rigid portions of the vehicle shall be so designed and constructed as to allow **at least one** rotary movement about **at least one** horizontal axis, and **at least one** vertical axis.
- 5.9.2. When the articulated **vehicle** at its unladen kerb mass is stationary on a horizontal level surface, there shall not be between the floor of either of the rigid sections and the floor of the rotating base or of the element replacing that base an uncovered gap of a width exceeding:
- 5.9.2.1. 1 cm when all the wheels of the vehicle are on the same plane, or
- 5.9.2.2. 2 cm when the wheels of the axle adjacent to the articulated section are resting on a surface which is 15 cm higher than the surface on which the wheels of the other axles are resting.

- 5.9.3. The difference in level between the floor of the rigid portions and the floor of the rotating base, measured at the joint, shall not exceed:
- 5.9.3.1. 2 cm in the conditions described in paragraph 5.9.2.1., **or**
- 5.9.3.2. 3 cm in the conditions described in paragraph 5.9.2.2.
- 5.9.4. On articulated **vehicles**, handrails and/or partitions shall prevent access by passengers to any part of the articulated section where:
- 5.9.4.1. the floor has an uncovered gap not complying with the requirements of paragraph 5.9.2.;
- 5.9.4.2. the floor cannot carry the mass of the passengers;
- 5.9.4.3. the movements of the walls constitute a danger to passengers.
- 5.10. Manoeuvrability
- 5.10.1. The vehicle shall be able to manoeuvre on either lock inside a circle of 12.5 m radius without any of its outermost points projecting outside the circumference of the circle.
- 5.10.2. When the outermost points of the vehicle are moving on either lock on a circle of 12.5 m radius the vehicle shall be able to move within the limits of a circular track 7.2 m wide (see annex 4, figure 25A/B).
- 5.10.3. With the vehicle stationary, a vertical plane tangential to the side of the vehicle and facing outwards from the circle shall be established by marking a line on the ground. In the case of an articulated vehicle the two rigid portions shall be aligned with the plane. When the vehicle moves from a straight-line approach into the circular area described in paragraphs 5.10.1. and 5.10.2. above, no part of it shall move outside of this vertical plane by more than 0.8 m (see annex 4, figure 25A) in the case of a rigid vehicle, or by more than 1.2 m (see annex 4, figure 25B) in the case of an articulated vehicle.
- 5.10.4. In the case of a vehicle fitted with an axle with an **unloading** device, these requirements shall in each case be fulfilled with the axle in the most unfavourable condition.
- 5.11. Direction-holding of articulated **vehicles**
- When an articulated **vehicle** is moving in a straight line, the longitudinal median planes of its rigid portion shall coincide and form a continuous plane without any deflection.
- 5.12. Hand-rails and hand-holds
- 5.12.1. General requirements
- 5.12.1.1. Hand-rails and hand-holds shall be of adequate strength.
- 5.12.1.2. They shall be so designed and installed as to present no risk of injury to passengers.
- 5.12.1.3. Handrails and handholds shall be of a section enabling passengers to grasp them easily and firmly. Every handrail shall provide a length of at least 10 cm to accommodate a hand. No dimension of the section shall be smaller than 2 cm or greater than 4.5 cm

except in the case of handrails on doors and seats and, in the case of a vehicle of **Classes II, III or B**, in access passages. In these cases handrails having a minimum dimension of 1.5 cm shall be permitted provided that one other dimension is of at least 2.5 cm. **Handrails shall not have sharp bends.**

- 5.12.1.4. The clearance between a handrail or handhold and the adjacent part of the vehicle body or walls shall be of at least 4 cm. However, in the case of a handrail on a door or a seat, or in the access passage of a vehicle of **Classes II, III and B**, a minimum clearance of 35 mm shall be permitted.
- 5.12.1.5. The surface of every handrail, handhold or stanchion shall be colour contrasting and **slip-resistant**.
- 5.12.2. Hand-rails and hand-holds for standing passengers: vehicles of Class I, **II or A**
- 5.12.2.1. Handrails and/or handholds shall be provided in sufficient number for each point of the floor area intended, in conformity with paragraph 5.2.2. for standing passengers. For this purpose, strap hangers, if fitted, may be counted as handholds, provided that they are held in their position by suitable means. This requirement shall be deemed to be fulfilled if, for all possible sites of the testing device shown in **annex 4, figure 26** hereto, at least two handrails or handholds can be reached by the device's moveable arm. The testing device may be freely turned about its vertical axis.
- 5.12.2.2. When applying the procedure described in paragraph 5.12.2.1. above, only such hand-rails and hand-holds shall be considered as are not less than 80 cm and not more than 190 cm above the floor.
- 5.12.2.3. For every position that can be occupied by a standing passenger, at least one of the two required hand-rails or hand-holds shall be not more than 150 cm above the level of the floor at that position. Exception may be given in the middle of large platforms, but the sum of these exceptions shall not exceed 20 per cent of the total standing area. **This does not apply to an area adjacent to a door where the door or its mechanism in the open position would prevent the use of this handhold.**
- 5.12.2.4. Areas which can be occupied by standing passengers and are not separated by seats from the side walls or rear wall of the vehicle shall be provided with horizontal hand-rails parallel to the walls and installed at a height of between 80 cm and 150 cm above the floor.
- 5.12.3. Hand-rails and hand-holds for service doors
- 5.12.3.1. Door apertures shall be fitted with hand-rails and/or hand-holds on each side. **In the case of** double doors, this requirement **can be fulfilled** by the installation of one central stanchion or hand-rail.
- 5.12.3.2. Handrails and/or handholds to be provided for service doors shall be such that they include a grasping point available to a person standing on the ground adjacent to the service door or on any of the successive steps. Such points shall be situated, vertically, between 80 and 110 cm above the ground or above the surface of each step, and horizontally:

- 5.12.3.2.1. for the position appropriate to a person standing on the ground, not more than 40 cm inwards from the outer edge of the first step; and
- 5.12.3.2.2. for the position appropriate to a particular step, not outwards from the outer edge of the step considered, and not more than 60 cm inwards from that same edge.
- 5.12.4. Handrails to priority seating.
- 5.12.4.1. ***A handrail at a height of between 80 cm and 90 cm above the floor level shall be provided between the priority seats as described in paragraph 5.7.8.5.2. and the service door suitable for boarding and alighting. A break is permitted where it is necessary to gain access to a wheelchair space, a seat located at a wheel arch, a staircase, an access passage or a gangway. Any break in the handrail shall not exceed 105 cm and a vertical handrail shall be provided on at least one side of the break.***
- 5.12.5. Hand-rails and hand-holds for intercommunication staircases.
- 5.12.5.1. Suitable hand-rails or hand-holds shall be provided at each side of all intercommunication staircases. These shall be positioned between 80 cm and 110 cm above the tread edge of each step.
- 5.12.5.2. The hand-rails and/or hand-holds to be provided shall be such that they include a grasping point available to a person standing on the lower or upper deck adjacent to the intercommunication staircase, and at any of the successive steps. Such points shall be situated vertically between 80 and 110 cm above the lower deck or each above the surface of each step, and horizontally:
- 5.12.5.2.1. For the position appropriate to a person standing on the lower deck, not more than 40 cm inwards from the outer edge of the first step, and
- 5.12.5.2.2. for the position appropriate to a particular step, not outwards from the outer edge of the step considered, and not more than 60 cm inwards from the same edge.
- 5.13. Guarding of stepwells and exposed seats
- 5.13.1. Where any seated passenger is likely to be thrown forward into a stepwell as a result of heavy braking, a guard shall be fitted. The guard shall have a minimum height from the floor on which the passenger's feet rest of 80 cm and shall extend inwards from the wall of the vehicle at least as far as 10 cm beyond the longitudinal centre line of any seating position where the passenger is at risk or to the riser of the innermost step; whichever is the lesser dimension.
- 5.13.2. On the upper deck of a double-deck vehicle, the intercommunication staircase well shall be protected by an enclosed guard having a minimum height of 80 cm measured from the floor. The lower edge of the guard shall not be more than 10 cm from the floor.
- 5.13.3. Means shall be provided to prevent objects having a diameter of between 2 cm and 7 cm rolling into the driver's foot controls zone.
- 5.13.4. The front windscreen ahead of passengers occupying upper-deck front seats in a double-deck vehicle must be provided with a padded guard. The higher edge of that protection shall be

situated vertically between 80 cm and 90 cm above the floor where the passenger's feet **rest**.

5.13.5. The riser of each step in **an intercommunication** staircase shall be closed.

5.14. **Baggage racks and occupant protection**

The **occupants of the vehicle** shall be protected from objects liable to fall from **baggage racks under braking or cornering forces**. **If baggage compartments are fitted, they must be designed in such a way that baggage is prevented from falling in the event of sudden braking.**

5.15. **Trap doors, if fitted**

5.15.1. Every trap door, **that is not an escape hatch, on** the floor of a vehicle shall be so fitted and secured that it cannot be dislodged or opened without the use of tools or keys and no lifting or securing device shall project by more than 8 mm above floor level. Edges of projections shall be rounded.

5.16. **Trolleybuses**

5.16.1. **Trolleybuses shall meet the provisions of annex 9.**

5.17. **Visual Entertainment**

5.17.1. **Forms of visual entertainment for passengers, for example television monitors or videos, shall be located out of the driver's view when the driver is seated in his normal driving position. This shall not preclude any television monitor or similar device used as part of the driver's control or guidance of the vehicle, for example to monitor service doors.**

Annex 3 - Appendix

VERIFICATION OF STATIC TILTING LIMIT BY MEANS OF CALCULATION

1. A vehicle may be shown to meet the requirement specified in paragraph 5.4. of annex 3 by a calculation method approved by the technical service for conducting the tests.
2. The technical service responsible for conducting the tests may require tests to be carried out on parts of the vehicle to verify the assumptions made in the calculation.
3. Preparations for calculation.
 - 3.1. The vehicle shall be represented by a spatial system.
 - 3.2. Due to the location of the centre of gravity of the body of the vehicle and the different spring rates of the vehicle suspension and tyres, axles do not generally lift simultaneously on one side of the vehicle as a result of lateral acceleration. Therefore, lateral tilting of the body over each axle has to be ascertained on the supposition that the wheels of the other axle(s) remain on the ground.
 - 3.3. To simplify matters, it shall be assumed that the centre of gravity of the unsprung masses lies in the longitudinal plane of the vehicle on the line passing through the centre of the wheel rotation axle. The small shifting of the roll centre due to deflection of the axle can be neglected. The air suspension control should not be taken into account.
 - 3.4. The following parameters, at least, shall be taken into account:

vehicle data such as wheel base, tread width and sprung/unsprung masses, location of the centre of gravity of the vehicle, deflection and rebound and the spring rate of the vehicle suspension, considering also non-linearity, horizontal and vertical spring rate of the tyres, torsion of the superstructure, location of the roll centre of the axles.
4. Validity of the calculation method.
 - 4.1. The validity of the calculation method shall be established to the satisfaction of the technical service, e.g. on the basis of a comparative test with a similar vehicle.

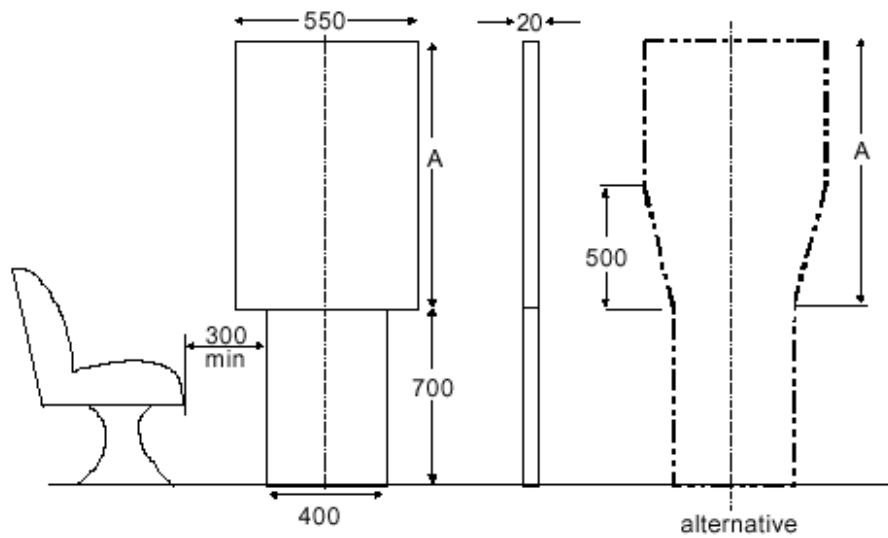
Annex 4

EXPLANATORY DIAGRAMS

Figure 1

ACCESS TO SERVICE DOORS

(see annex 3, paragraph 5.7.1.)



As shown above but with chamfer as Regulation No. 52 and units in cm (shown in mm)

alternatives

Classes I, II and III: A = 110 cm

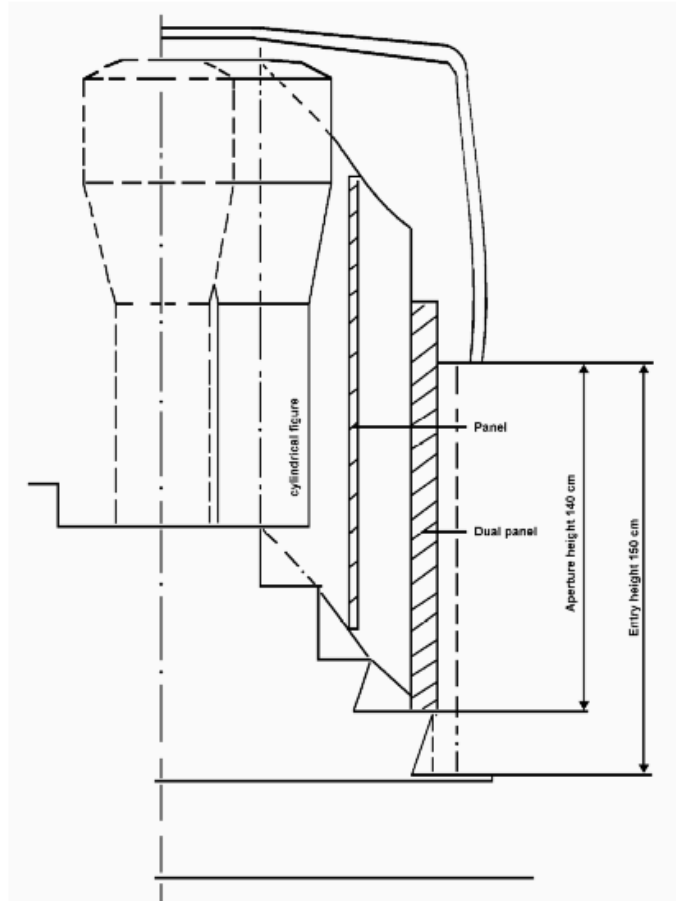
Classes A and B: A = 95 cm

Number of passengers	= 22		> 22		
	A	B	I	II	III
Classes					
Dimension A (cm)	95	70	110	95	85
Total height of dual panel	165	140	180	165	155

Figure 2

ACCESS TO SERVICE DOORS

(see annex 3, paragraph 5.7.1.4.)



Note: Diagram should be clarified to identify the panels concerned by reference to their respective paragraphs/figures.

Figure 3

DETERMINATION OF UNOBSTRUCTED ACCESS TO DOOR

(see annex 3, paragraph 5.7.1.9.1.)

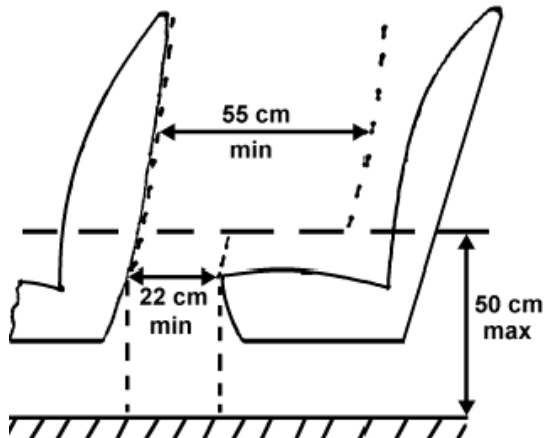
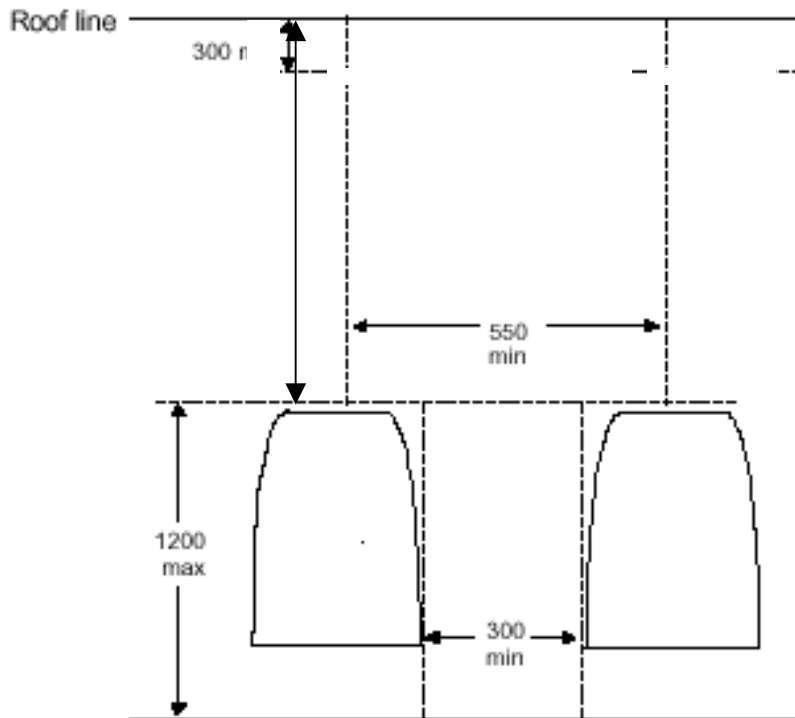


Figure 4

DETERMINATION OF UNOBSTRUCTED ACCESS TO DOOR

(see annex 3, paragraph 5.7.1.9.2.)

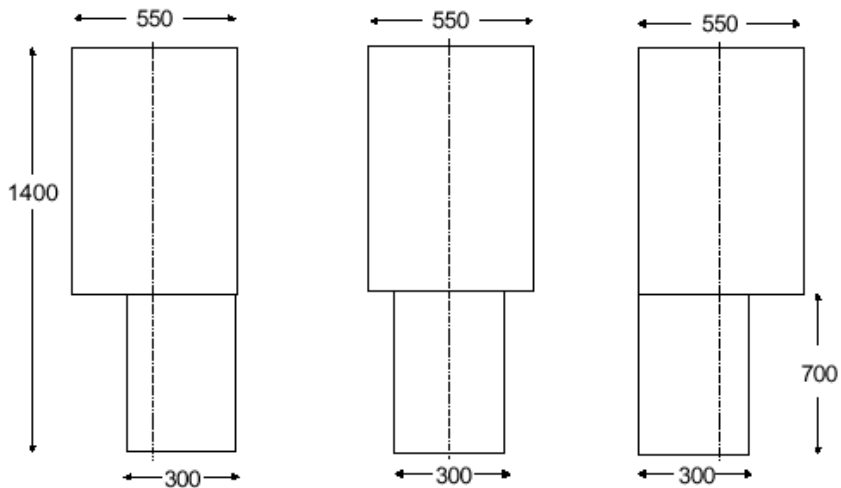


As shown above but with units in cm (shown in mm)

Figure 5

ACCESS TO EMERGENCY DOORS

(see annex 3, paragraph 5.2.)

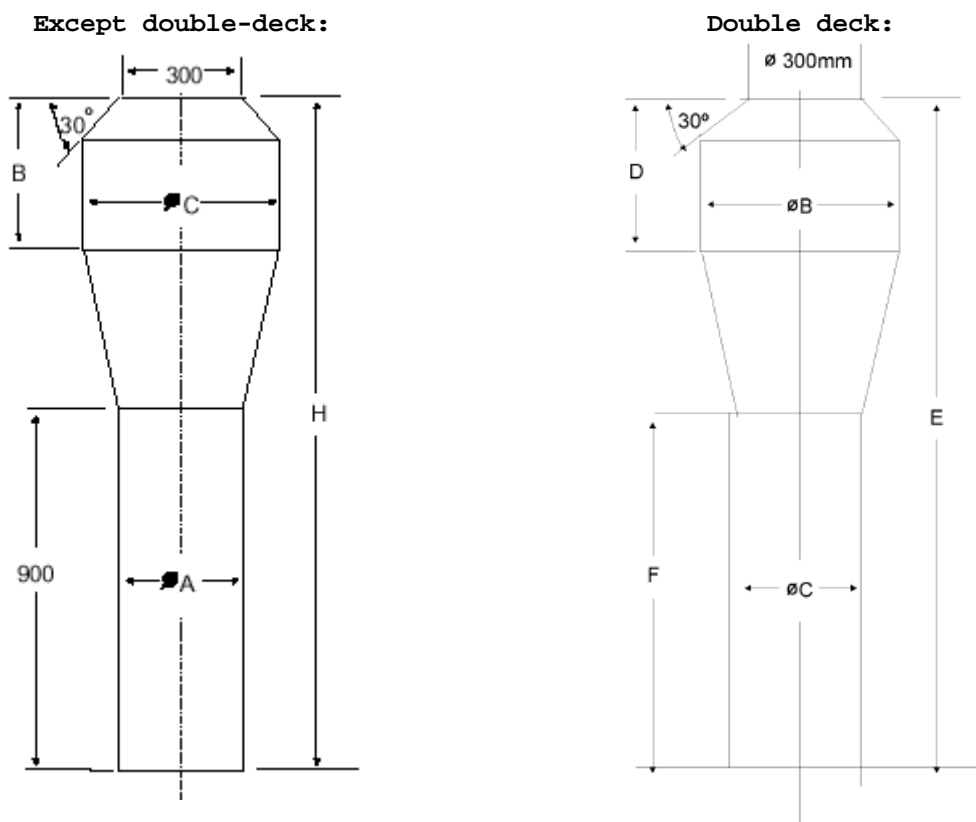


Diagrams should be redrawn to include chamfer at top, as provided for in paragraph 5.7.2.1. (see Regulation No. 52), and with units in cm (shown in mm)

Figure 6

GANGWAYS

(see annex 3, paragraph 5.7.5.)



As shown above but with units in cm (shown in mm)

Except double-deck:

(centimetres)

Classes	A	B	I	II	III	
Dimensions (mm)	A	35	30	45	35	30
	C	55	45	55	55	45
	B	50 (*)	30	50 (*)	50 (*)	50 (*)
	H	190 (*)	150	190 (*)	190 (*)	190 (*)

Double-deck:

	B (cm)	C (cm)	D (cm)	E (cm) ^{1/}	F (cm)
Class I	55	45	50	180 (168/177)	102 (90/99)
Class II	55	35	50	180 (168/177)	102 (90/99)
Class III	45	30 (22 in the case of laterally movable seats)	50	180 (168/177)	102 (90/99)

^{1/} Dimensions in brackets apply for upper deck only and/or the rearmost part of the lower deck and/or the lower deck near the front axle only (see annex 3, paragraph 5.7.5.11.).

* See the respective footnote ("*") in annex 3, paragraph 5.7.5.1.

Figure 7

FORWARD LIMITATION OF THE GANGWAY

(see annex 3, paragraph 5.7.5.4.)

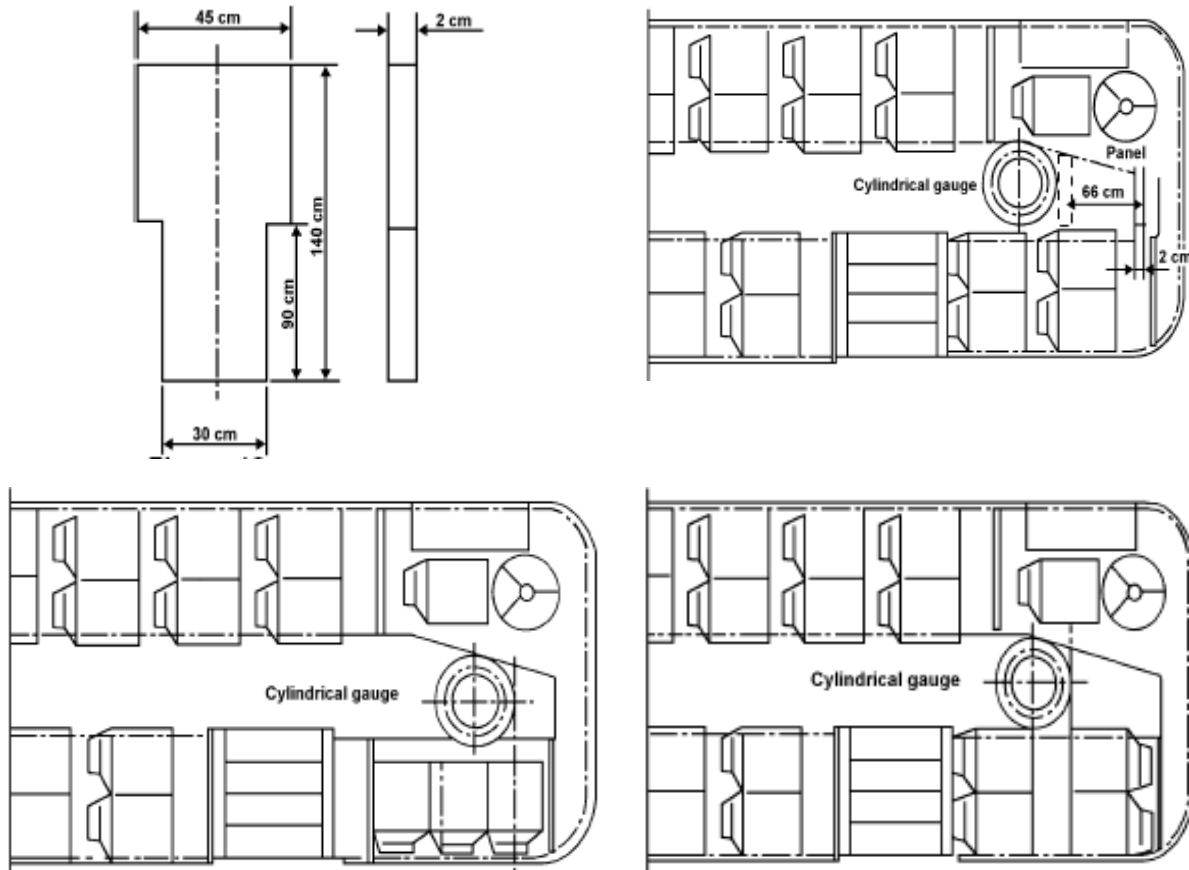
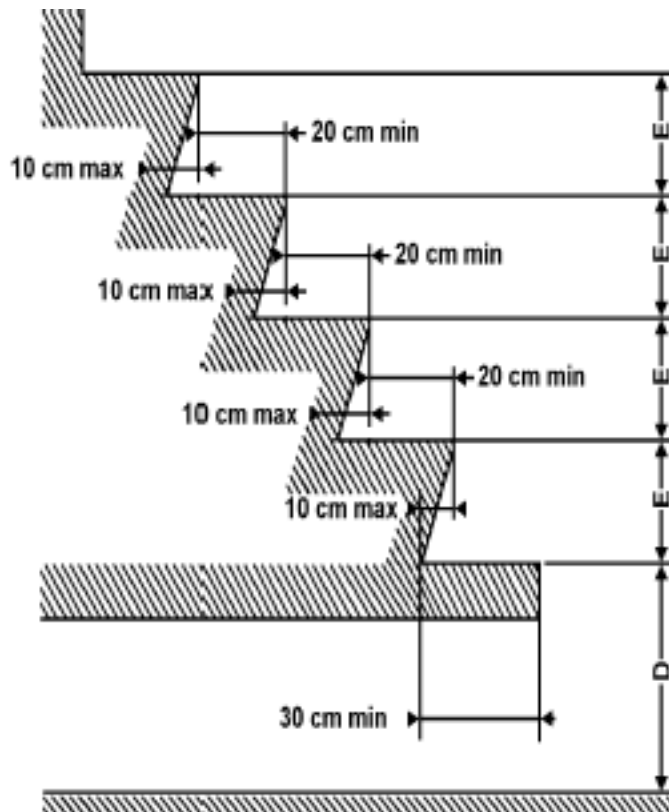


Figure 8

STEPS FOR PASSENGERS

(see annex 3, paragraph 5.7.7.)



Classes		<i>I & A</i>	<i>II, III & B</i>
First step from ground 'D'	Max height (cm)	34 <u>1/</u>	38 <u>1/</u> <u>2/</u> <u>5/</u>
	Min depth (cm)	30 (*)	
Other steps 'E'	Max height (cm)	25 <u>3/</u>	35 <u>4/</u>
	Min height (cm)	12	
	Min depth (cm)	20	

(*) 23 cm for vehicles having a capacity not exceeding 22 passengers.

1/ 70 cm in the case of an emergency door, except:

- 85 cm in the case of an emergency door in the lower deck or
- 150 cm in the case of an emergency door in the upper deck of a double-deck vehicle.

2/ 43 cm in the case of a vehicle with solely mechanical suspension.

3/ 30 cm in the case of steps at a door behind the rearmost axle.

4/ 25 cm in gangways for vehicles having a capacity not exceeding 22 passengers.

5/ for at least one service door; 40 cm for other service doors.

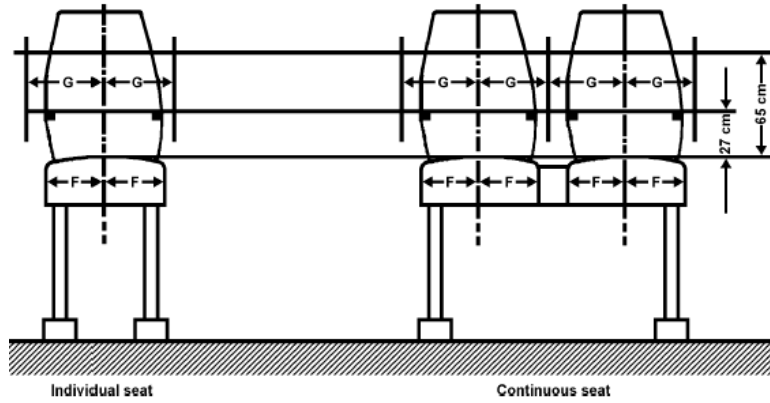
Note: 1. At a double doorway the steps in each half of the access passage shall be treated separately.

2. Dimension E need not be the same for each step.

Figure 9

WIDTH OF PASSENGER SEATS

(see annex 3, paragraph 5.7.8.1.)



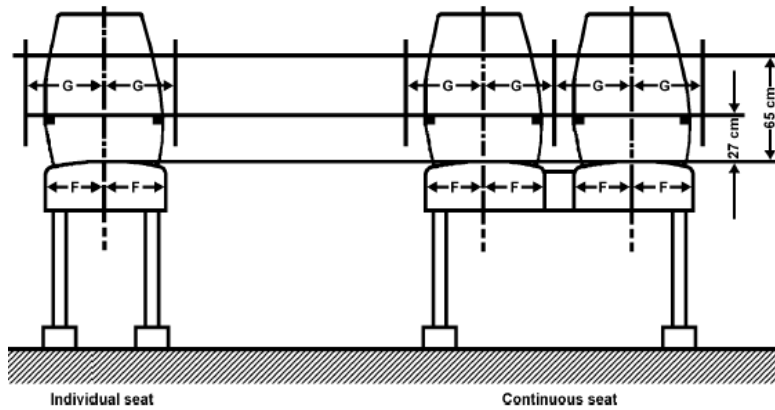
F (cm) min	G (cm) minimum	
	Continuous seats	Individual seats
20 (*)	22.5	25

* 225 for Class III.

Figure 9A

DIMENSIONS OF PASSENGER SEATS

(see annex 3, paragraph 5.7.8.1.3.)



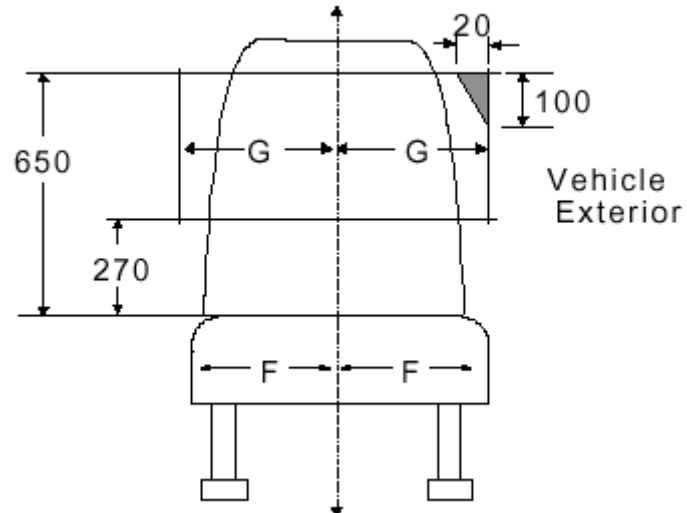
F (cm) min	G (cm) minimum	
	Continuous seats	Individual seats
20	20	20

Figure 10

PERMITTED INTRUSION AT SHOULDER HEIGHT

Transversal section of the minimum available space at shoulder height for a seat adjacent to the wall of the vehicle

(see annex 3, paragraph 5.7.8.1.4.)



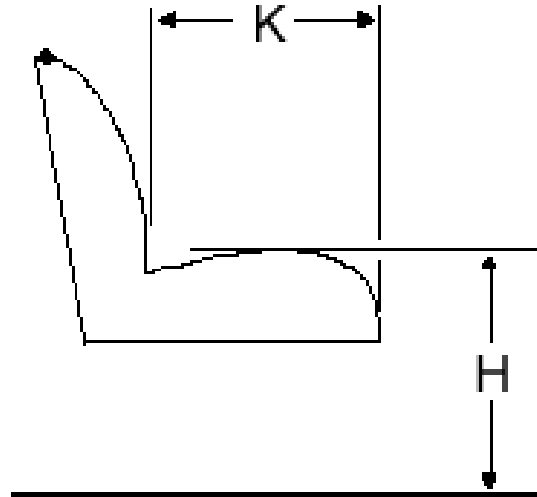
As shown above but with units in cm (shown in mm)

- G = 225 mm if continuous seat
- G = 250 mm if individual seat
- G = 200 mm for vehicles less than 2.35 m wide

Figure 11

SEAT-CUSHION DEPTH AND HEIGHT

(see annex 3, paragraphs 5.7.8.2. and 5.7.8.3.)



H = 40/50 cm (*)

K = 35 cm min. (**)

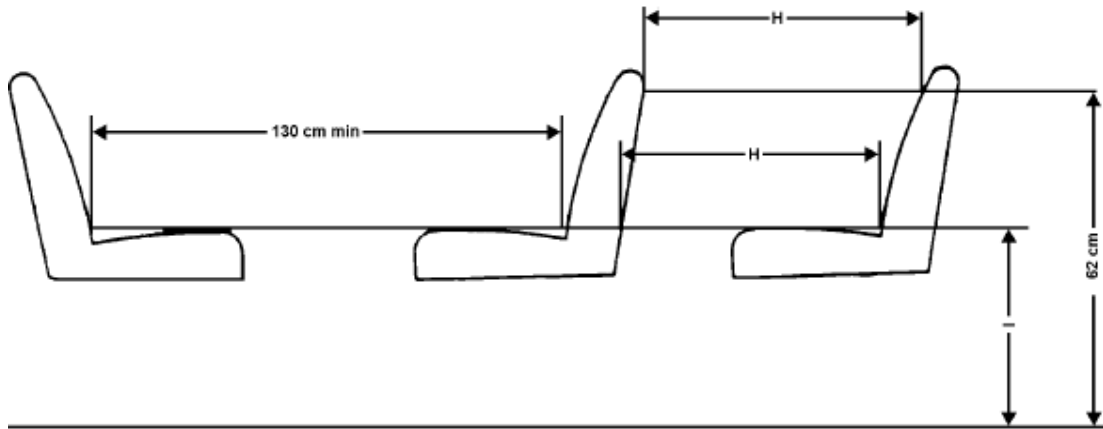
(*) 35 cm at wheel arches and engine compartment.

(**) 40 cm in vehicles of Classes II and III.

Figure 12

SEAT SPACING

(see annex 3, paragraph 5.7.8.4.)



	H
Classes I, A and B	65 cm
Classes II and III	68 cm

Figure 13

SPACE FOR SEATED PASSENGERS

(see annex 3, paragraph 5.7.8.5.)

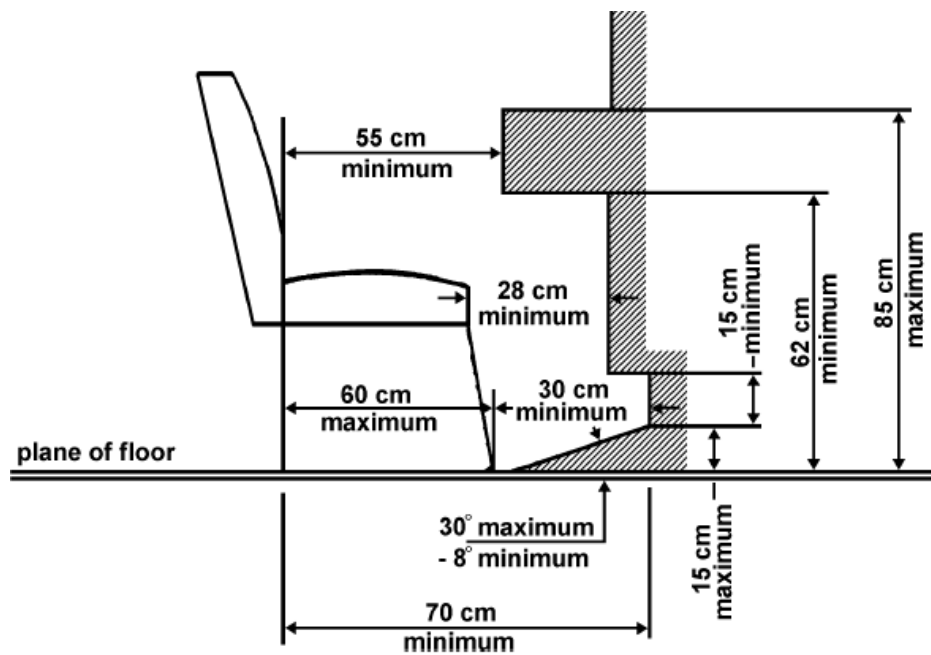
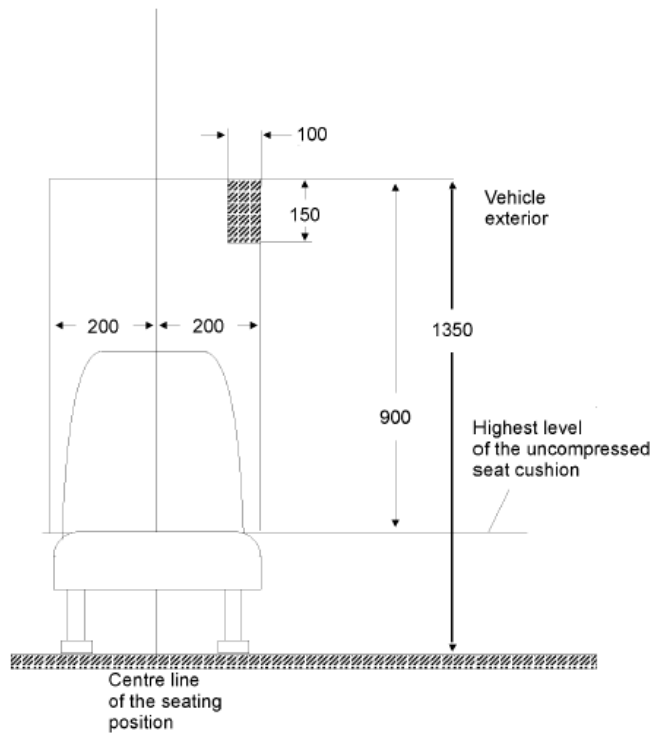


Figure 14

PERMITTED INTRUSION INTO SPACE ABOVE SEAT

Transversal section of the minimum free space above a seating place adjacent to the wall of the vehicle

(see annex 3, paragraph 5.7.8.6.3.1.)

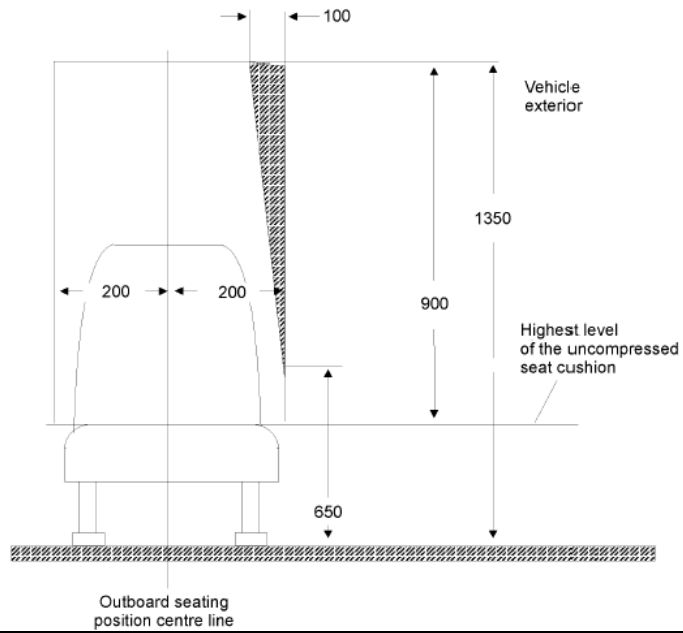


As shown above but with units in cm (shown in mm)

Figure 15

PERMITTED INTRUSION ABOVE A SEATING POSITION

(see annex 3, paragraph 5.7.8.6.3.2.)

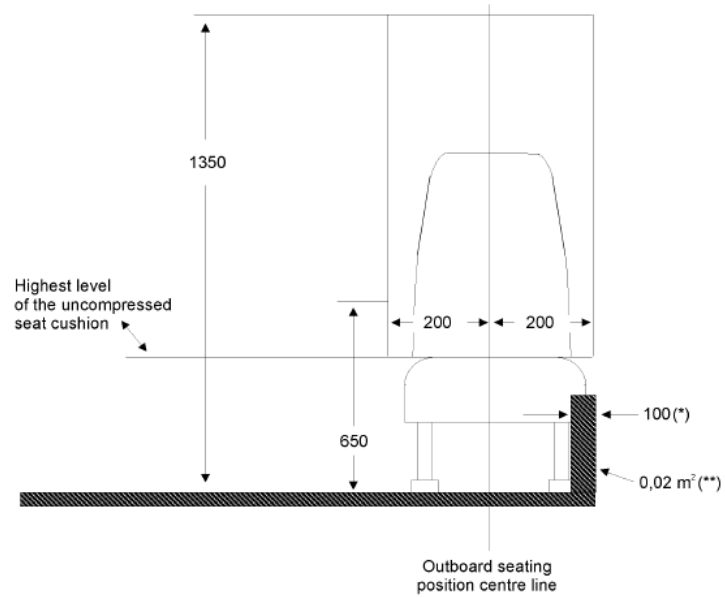


As shown above but with units in cm (shown in mm)

Figure 16

PERMITTED INTRUSION IN LOWER PART OF PASSENGER SPACE

(see annex 3, paragraph 5.7.8.6.3.3.)



As shown above but with units in cm (shown in mm)

- (1) 15 cm in the case of Class 1 low-floor vehicles.
- (2) 0.03 m² in the case of Class I low floor vehicles.

Figure 17

PERMITTED INTRUSION AT REAR CORNER SEATS

View of the prescribed area of the seat (two side seats at the rear)
(see annex 3, paragraph 5.7.8.6.3.4.)

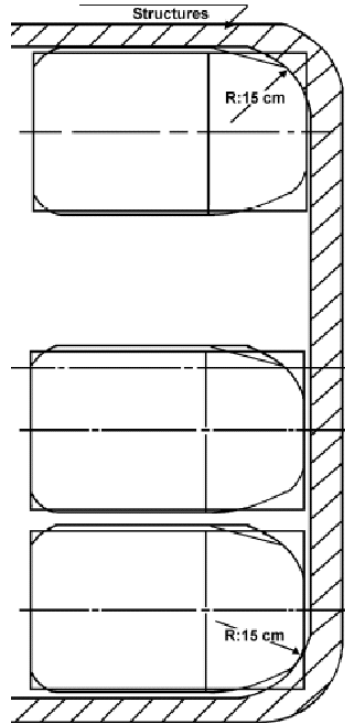


Figure 18

PERMITTED INTRUSION OF A WHEEL ARCH NOT EXTENDING BEYOND THE VERTICAL CENTRE LINE OF THE SIDE SEAT

(see annex 3, paragraph 5.7.8.6.4.2.1.)

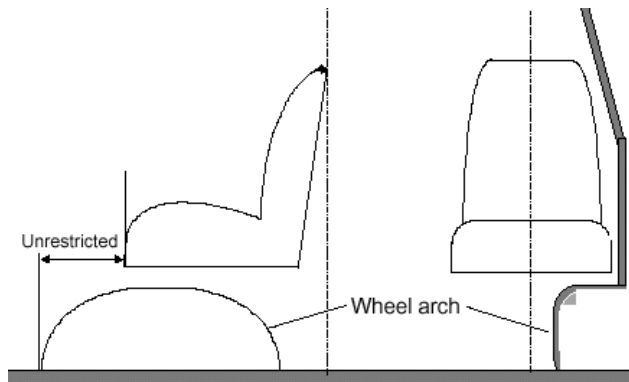
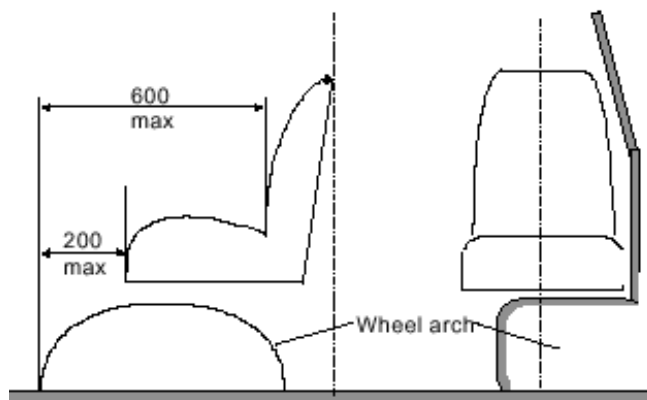


Figure 19

PERMITTED INTRUSION OF A WHEEL ARCH EXTENDING BEYOND THE VERTICAL CENTRE LINE OF THE SIDE SEAT

(see annex 3, paragraph 5.7.8.6.4.2.2.)

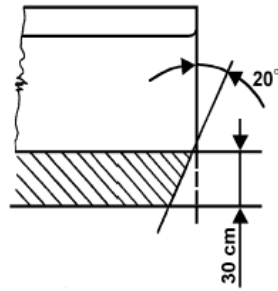


As shown above but with units in cm (shown in mm)

Figure 20

PASSENGER FOOT SPACE

Transverse seat



Longitudinal seat

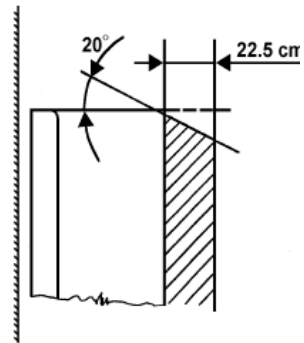


Figure 21

SERVICE DOOR FREE ACCESS

(see annex 3, paragraph 5.6.3.1.)

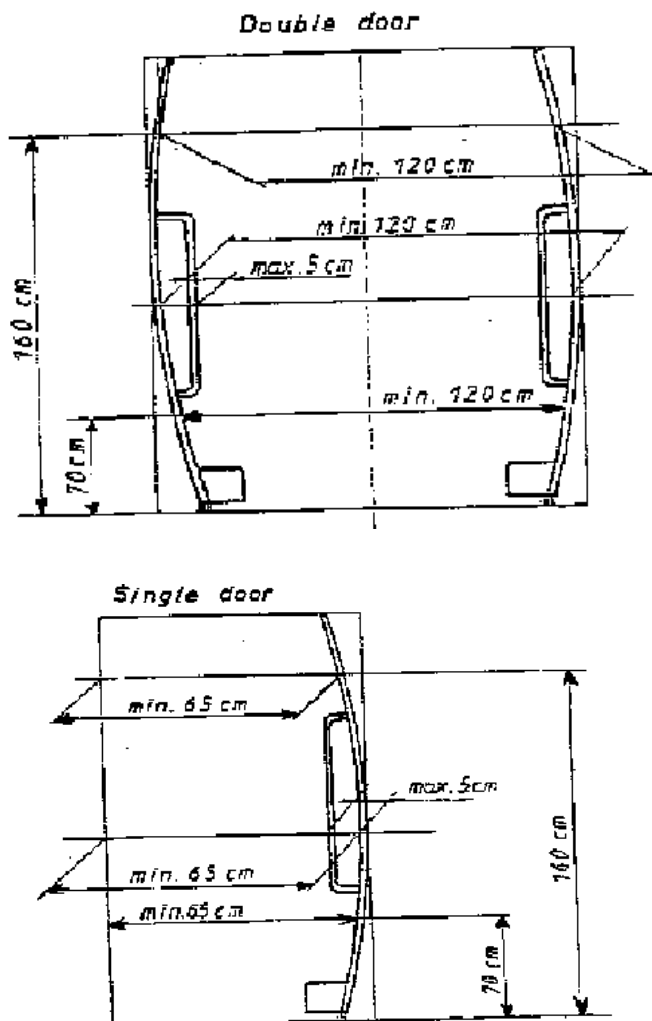
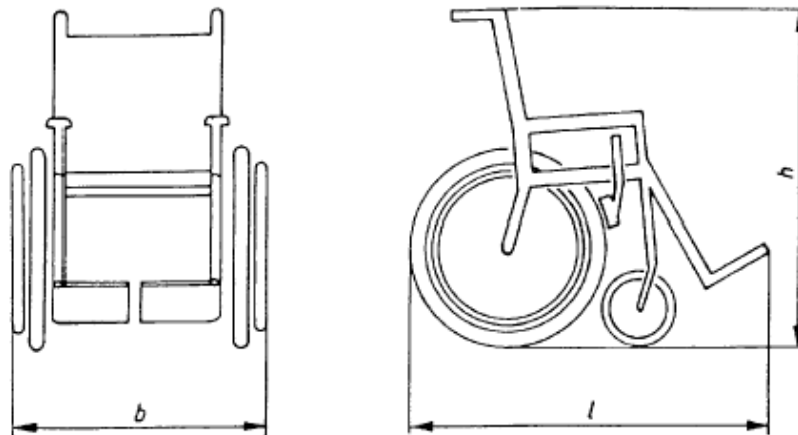


Figure 22

REFERENCE WHEELCHAIR

(see annex 7, paragraph 3.6.4.)



Overall length, l : 120 cm
Overall width, b : 70 cm
Overall height, h : 109 cm

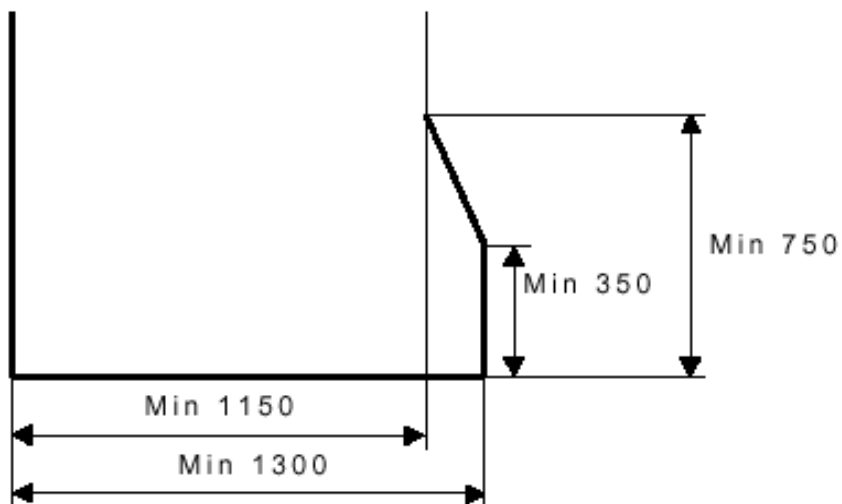
Note:

A wheelchair user seated in the wheelchair adds 5 cm to the overall length and makes a height of 135 cm above the ground.

Figure 23

Minimum clear space for the wheelchair user at the wheelchair space

(see annex 7, paragraph 3.6.1.)



As shown above but with units in cm (shown in mm)

Figure 24

(see annex 7, paragraph 3.4.)

Pictogram for wheelchair users (Figure 24A)



Pictogram for passengers with reduced mobility others than wheelchair users (Figure 24B)



Figure 25

MANOEUVRABILITY

(see annex 3, paragraph 5.10.)

Figure 25A

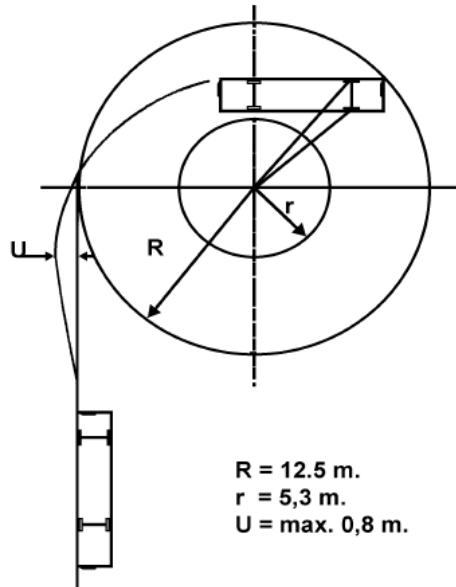


Figure 25B

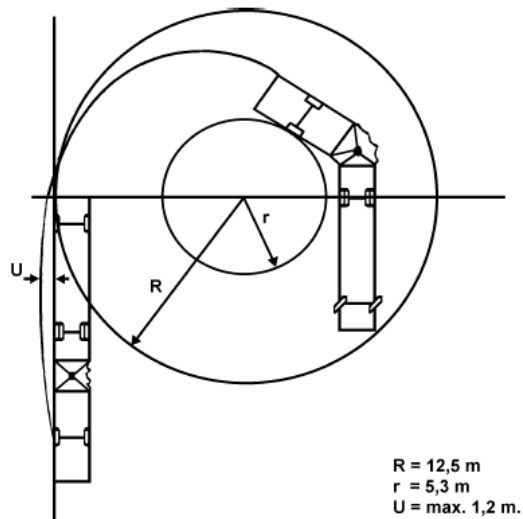
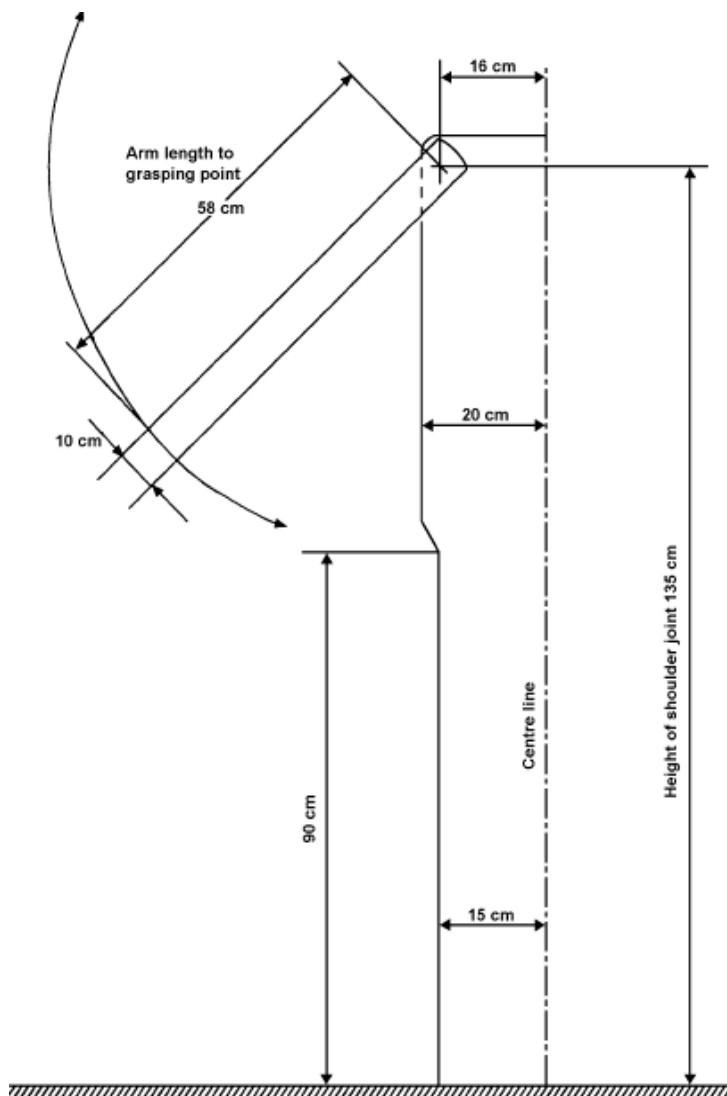


Figure 26

TESTING DEVICE FOR SITING OF HAND-RAILS AND HAND-HOLDS

(see annex 3, paragraph 5.12.2.1.)

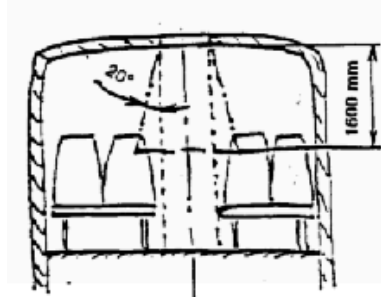


Thickness: 2 cm.

Figure 27

ACCESS TO A ROOF-MOUNTED ESCAPE HATCH

(see annex 3, paragraph 5.7.4.1.1.)



Annex 5

GUIDELINES FOR MEASURING THE CLOSING FORCES OF POWER-OPERATED DOORS

(see annex 3, paragraph 5.6.5.6.2.)

1. General

The closing of a power-operated door is a dynamic process. When a moving door hits an obstacle, the result is a dynamic reaction force, the history of which (in time) depends on several factors (e.g. mass of the door, acceleration, dimensions).

2. Definitions

2.1. Closing force $F(t)$ is a time function, measured at the closing edges of the door (see paragraph 3.2.).

2.2. Peak force F_S is the maximum value of the closing force.

2.3. Effective force F_E is the average value of the closing force related to the pulse duration:

$$F_E = \frac{1}{T} \int_{t_1}^{t_2} F(t) dt$$

2.4. Pulse duration T is the time between the t_1 and t_2 :

$$T = t_2 - t_1$$

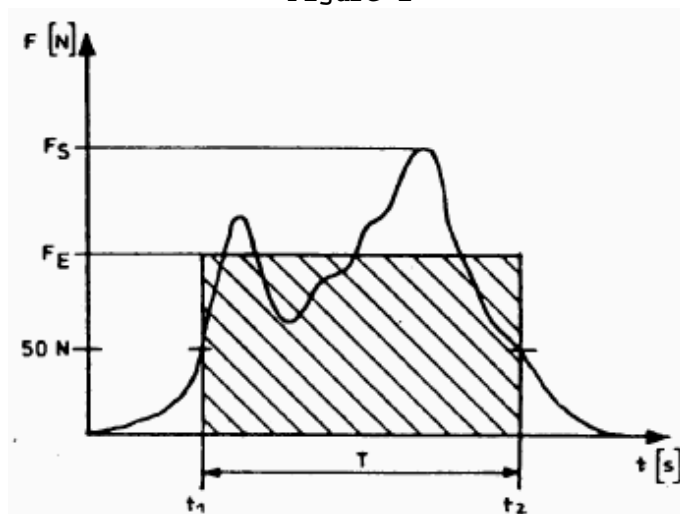
Where,

t_1 = threshold of sensitivity, where the closing force exceeds 50 N.

t_2 = fade-away threshold, where the closing force becomes less than 50 N.

2.5. The relation between the above parameters is shown in figure 1 below (as an example):

Figure 1



- 2.6. Clamping force F_c is the arithmetical mean value of the effective forces, measured at the same measuring point subsequently more times:

$$F_c = \frac{\sum_{i=1}^n (F_E)_i}{n}$$

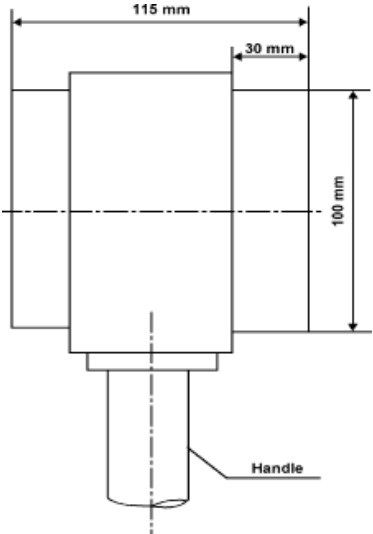
3. Measurements

- 3.1. Conditions of measurement:
- 3.1.1. Temperature range: 10° - 30°C
- 3.1.2. The vehicle shall stay on a horizontal surface.
- 3.2. Measurements points shall be:
- 3.2.1. At the main closing edges of the door:
- one in the middle of the door;
one 15 cm above the lower edge of the door.
- 3.2.2. In the case of doors equipped with clamping prevention devices for the opening process:
- At the secondary closing edges of the door at that point which is considered to be the most dangerous place of clamping.
- 3.3. At least three measurements shall be taken at each of the measuring points to determine the clamping force according to paragraph 2.6.
- 3.4. The signal of the closing force shall be recorded by means of a low-pass filter with a limiting frequency of 100 Hz. Both the threshold of sensitivity and the fade-away threshold to limit the pulse duration shall be set at 50 N.
- 3.5. The deviation of the reading from the rated value shall not be more than ± 3 per cent.

4. Measuring device

- 4.1. The measuring device shall consist of two parts: one handle and one measuring part which is a load cell (see figure 2).
- 4.2. The load cell shall have the following characteristics:
- 4.2.1. It shall consist of two sliding housings with the outer dimension of 10 cm in diameter and 115 mm in width. Inside the load cell a compression spring shall be fitted between the two housings such that the load cell can be pressed together if an appropriate force is applied.
- 4.2.2. The stiffness of the load cell shall be 10 ± 0.2 N/mm. The maximum spring deflection shall be limited to 3 cm so that a maximum peak force of 300 N is achieved.

Figure 2



Annex 6

SPECIAL REQUIREMENTS FOR VEHICLES HAVING A CAPACITY NOT EXCEEDING 22 PASSENGERS

Vehicles having a capacity not exceeding 22 passengers must comply with the requirements of annex 3 with the exception that one or both of the following requirements may be complied with in place of the equivalent paragraph(s) 5.6.1. and/or 5.6.2. of annex 3.

1.1. Minimum dimensions for exits

The several kinds of exits shall have the following dimensions:

Aperture	Dimensions	Remarks
Service Door	Entry height: Class A 165 cm B 150 cm	The service door entry height shall be measured as the vertical distance measured on a vertical plane of the horizontal projections of the mid point of the door aperture and the top surface of the lowest step.
	Aperture Height	The vertical height of the service door aperture shall be such as to permit the free passage of the dual panel referred to in paragraph 5.7.1.1. of annex 3. The upper corners may be reduced with round-offs, with a radius of not more than 15 cm.
	Width: Single door: 65 cm Double door: 120 cm	For Class B vehicles where the service door aperture height lies between 140 cm and 150 cm a minimum single door aperture width of 75 cm shall apply. For all the vehicles the width of any service door may be reduced by 10 cm when the measurement is made at the level of the handholds and by 25 cm in cases where intruding wheel arches or the actuating mechanism for automatic or remote-control doors or the rake of the windscreen so require.
Emergency door	Height: 125 cm Width: 55 cm	The width may be reduced to 30 cm in cases where intruding wheel arches so require, providing that the width of 55 cm is respected at the minimum height of 40 cm above the lowest part of the door aperture. The upper corners may be reduced with round-offs, with a radius of not more than 15 cm.
Emergency Window	Aperture area: 4 000 cm ²	It shall be possible to inscribe in this area a rectangle of 50 cm x 70 cm.

1.1.1.1. A vehicle to which paragraph 5.7.1.9. of annex 3 applies shall meet the requirements of paragraph 5.6.3.1. of annex 3 or paragraph 1.1. of this Annex as regards emergency windows and escape hatches, and the following minimum requirements as regards service doors and emergency doors:

Aperture	Dimensions	Remarks
Service Door	Aperture Height: 110 cm	This dimension may be reduced by a radius at the corners of the aperture not exceeding 15 cm.
	Width: Single door: 65 cm Double door: 120 cm	This dimension may be reduced by a radius at the corners of the aperture not exceeding 15 cm. The width may be reduced by 10 cm when the measurement is made at the level of the handholds and by 25 cm in cases where intruding wheel arches or the actuating mechanism for automatic or remote-control doors or the rake of the windscreen so require.
Emergency door	Height: 110 cm Width: 55 cm	The width may be reduced to 30 cm in cases where intruding wheel arches so require, providing that the width of 55 cm is respected at the minimum height of 40 cm above the lowest part of the door aperture. The upper corners may be reduced with round-offs with a radius of not more than 15 cm.

1.2. Siting of exits

- 1.2.1. The service door(s) shall be situated on the side of the vehicle that is nearer to the side of the road corresponding to the direction of the traffic in the country in which the vehicle is to be registered, or in the rear face of the vehicle.
- 1.2.2. The exits shall be placed in such a way that there is at least one exit on each side of the vehicle.
- 1.2.3 The forward half and the rearward half of the passenger space shall each contain at least one exit.
- 1.2.4 At least one exit shall be situated either in the rear face or in the front face of the vehicle unless an escape hatch is fitted.

Annex 7

**REQUIREMENTS FOR TECHNICAL DEVICES FACILITATING
ACCESS FOR PASSENGERS OF REDUCED MOBILITY**

1. **GENERAL**

This annex contains the provisions which apply to a vehicle designed for easy access for passengers with reduced mobility and wheelchair users.

2. **SCOPE**

These requirements shall apply to vehicles permitting easier access for persons with reduced mobility.

3. **REQUIREMENTS.**

3.1. **Steps**

3.1.1. *The height of the first step from the ground of at least one service door shall not exceed 25 cm for vehicles of Class I and A and 32 cm for vehicles of class II, III and B.*

As an alternative for vehicles of Class I and A, the first step from the ground shall not exceed 27 cm in two door openings, one entrance and one exit.

A kneeling system and/or retractable step may be engaged.

3.1.2. *The height of the steps other than the first step from the ground at the abovementioned door(s), in an access passage and in a gangway, shall be not more than 20 cm for vehicles of Class I and A and 25 cm for vehicles of Class II, III and B.*

3.1.3. *The transition from a sunken gangway to a seating area shall not be considered to be a step.*

3.2. **Priority seats and space for passengers with reduced mobility**

3.2.1. *A minimum number of forward or rearward facing seats designated as priority seats for disabled passengers shall be situated in a position near to a service door(s) suitable for boarding and alighting. The minimum number of priority seats shall be four in Class I, two in Class II and Class III and one in Class A and B. A seat that folds out of the way when not in use shall not be designated as a priority seat. Paragraph 5.7.8.5.2. of annex 3 shall not apply to vehicles that comply with this requirement.*

3.2.2. *There shall be adequate space under, or adjacent to, at least one of the priority seats for a guide dog.*

3.2.3. *Armrests shall be fitted on seats between the seating position and the gangway and shall be capable of being moved easily out of the way to permit clear access to the seat. Handrails or handholds shall be fitted adjacent to priority seats in such a way as to allow the passenger to grasp them easily.*

- 3.2.4. *The minimum width of a priority seat cushion, measured from a vertical plane passing through the centre of that seating position, shall be 22 cm on each side or, in the case of a continuous seat, 22 cm per seating position on each side.*
- 3.2.5. *The height of the uncompressed seat cushion relative to the floor shall be such that the distance from the floor to a horizontal plane tangent to the front upper surface of the seat cushion is between 40 cm and 50 cm.*
- 3.2.6. *The foot space at priority seating positions shall extend forward of the seat from a vertical plane through the forward edge of the seat cushion. The foot space shall not have a slope in any direction of more than 8 per cent.*
- 3.2.7. *Each priority seating position shall have a free height of not less than 130 cm for vehicles of Class I and A and 90 cm for vehicles of Class II, measured from the highest point of the uncompressed seat cushion. This free height shall extend over the vertical projection of the whole of the seat and the associated foot space. Intrusion of a seat back or other object into this space shall be permitted provided that a minimum clear vertical space extending 23 cm in front of the seat cushion is maintained. Where the priority seat is positioned facing a bulkhead more than 120 cm in height this space shall be 30 cm.*
- 3.3. Communication devices
- 3.3.1. *Communication devices shall be placed adjacent to any priority seat and within any wheelchair area and shall be at a height between 70 cm and 120 cm above the floor.*
- 3.3.2. *Communication devices situated in the low floor area shall be at a height between 80 cm and 150 cm where there are no seats.*
- 3.3.3. *The control for all internal communication devices shall be capable of operation with the palm of the hand and shall be in a contrasting colour or colours and tone.*
- 3.3.4. *If a vehicle is fitted with a ramp or lift, a means of communication with the driver shall be fitted outside, adjacent to the door, and not higher than 130 cm from the ground.*
- 3.4. Pictograms
- 3.4.1. *Vehicles fitted with a wheelchair space and/or priority seats shall have pictograms in accordance with annex 4, figures 24A visible from the outside, both on the front nearside of the vehicle and adjacent to the relevant service door(s). Appropriate pictograms will also be placed internally adjacent to the wheelchair space or to the priority seat.*
- 3.5. Floor slope
- The slope of any gangway, access passage or floor area between any priority seat or wheelchair space and at least one entrance and one exit or a combined entrance and exit shall not exceed 8 per cent. Such sloping areas shall be provided with a non-slip surface.*

3.6. Wheelchair accommodation provisions

- 3.6.1. For each wheelchair user provided for in the passenger compartment there shall be a special area at least 75 cm wide and 130 cm long. The longitudinal plane of the special area shall be parallel to the longitudinal plane of the vehicle and the floor surface of the special area shall be slip resistant.
- In the case of a wheelchair space designed for a forward facing wheelchair, the top of preceding seat-backs may intrude into the wheelchair space if a clear space is provided as shown in annex 4, figure 23.
- 3.6.2. There shall be at least one doorway through which wheelchair users can pass. In the case of vehicles of Class I, at least one wheelchair access door shall be a service door. The wheelchair access door shall bear a boarding aid complying with the provisions of paragraph 3.11.2. (a kneeling system) of this annex; this shall be in combination with the provisions of paragraph 3.11.3. (a lift) or 3.11.4. (a ramp) of this annex.
- 3.6.3. A door for wheelchair access, that is not a service door, shall have a minimum height of 140 cm. The minimum width of all doors providing wheelchair access to the vehicle shall be 90 cm which may be reduced by 10 cm when the measurement is made at the level of handholds.
- 3.6.4. It shall be possible to move from the outside of the vehicle through at least one of the doors for wheelchair access into the special area(s) with a reference wheelchair of the dimensions shown in annex 4, figure 22.

3.7. Seats in the wheelchair space

- 3.7.1. Folding seats may be fitted in a wheelchair space. However, such seats when folded and out of use shall not intrude into the wheelchair space.
- 3.7.2. A vehicle may be equipped with demountable seats fitted in the wheelchair space provided that such seats may be easily removed by the driver or a crew member.
- 3.7.3. Where the foot space of any seat, or part of a folding seat when in use, intrudes into a wheelchair space, those seats shall have a sign fixed on or adjacent to them with the following text:
- "Please give up this space for a wheelchair user".

3.8. Stability of wheelchairs

- 3.8.1. Wheelchair restraint system. As an alternative to the requirements contained in paragraphs 3.8.1.1. to 3.8.1.2.3. restraint systems may comply with the requirements contained in paragraphs 3.8.2. to 3.8.2.11.
- 3.8.1.1. In a vehicle where passenger seats are not required to be fitted with any kind of occupant restraint system, the wheelchair space shall be fitted with a restraint system in order to warrant the stability of the wheelchair;

A static test shall be carried out in accordance with the following requirements:

(a) a force of 250 daN \pm 20 daN per wheelchair shall be applied on the restraint system itself;

(b) the force shall be applied in the horizontal plane of the vehicle and towards the front of the vehicle if the restraint system is not attached to the floor of the vehicle. If the restraint system is attached to the floor, the force shall be applied in an angle of 45° \pm 10° to the horizontal plane and towards the front of the vehicle;

(c) the force shall be maintained for a period of not less than 1.5 seconds;

(d) the restraint system shall be capable of withstanding the test. Permanent deformation, including partial rupture or breakage of the restraint system, shall not constitute failure if the required force is sustained for the specified time. Where applicable, the locking device enabling the wheelchair to leave the vehicle shall be operable by hand after removal of the traction force.

3.8.1.2. When passenger seats are required to be fitted with occupant restraint systems, each wheelchair space shall be provided with a restraint system capable of restraining the wheelchair and its occupant.

This restraint system and its anchorages shall be designed to withstand forces equivalent to the ones required for the passenger seats and occupant restraint systems.

A static test shall be carried out in accordance with the following requirements:

(a) the forces referred hereto shall be applied in forward and rearward directions, separately and on the restraint system itself;

(b) the force shall be maintained for a period of not less than 0.2 seconds;

(c) the restraint system shall be capable of withstanding the test. Permanent deformation, including partial rupture or breakage of the restraint system shall not constitute failure if the required force is sustained for the specified time. Where applicable, the locking device enabling the wheelchair to leave the vehicle shall be operable by hand after removal of the traction force.

3.8.1.2.1. In forward direction in the case of a separate wheelchair and wheelchair user restraint system

3.8.1.2.1.1. For category M₂:

(a) 1 110 daN \pm 20 daN in the case of a lap belt. The force shall be applied on the wheelchair user restraint system in the

horizontal plane of the vehicle and towards the front of the vehicle if the restraint system is not attached to the floor of the vehicle. If the restraint system is attached to the floor, the force shall be applied in an angle of $45^{\circ} \pm 10^{\circ}$ to the horizontal plane of the vehicle and towards the front of the vehicle;

(b) 675 daN \pm 20 daN in the horizontal plane of the vehicle and towards the front of the vehicle on the lap portion of the belt and 675 daN \pm 20 daN in the horizontal plane of the vehicle and towards the front of the vehicle on the torso portion of the belt in the case of 3-point belt;

(c) 1 715 daN \pm 20 daN in an angle of $45^{\circ} \pm 10^{\circ}$ to the horizontal plane of the vehicle and towards the front of the vehicle on the wheelchair restraint system;

(d) the forces shall be applied simultaneously.

3.8.1.2.1.2. For category M_3 :

(a) 740 daN \pm 20 daN in the case of a lap belt. The force shall be applied on the wheelchair user restraint system in the horizontal plane of the vehicle and towards the front of the vehicle if the restraint system is not attached to the floor of the vehicle. If the restraint system is attached to the floor, the force shall be applied in an angle $45^{\circ} \pm 10^{\circ}$ to the horizontal plane of the vehicle and towards the front of the vehicle;

(b) 450 daN \pm 20 daN in the horizontal plane of the vehicle and towards the front of the vehicle on the lap portion of the belt and 450 daN \pm 20 daN in the horizontal plane of the vehicle and towards the front of the vehicle on the torso portion of the belt in the case of 3-point belt;

(c) 1 130 daN \pm 20 daN in an angle of $45^{\circ} \pm 10^{\circ}$ to the horizontal plane of the vehicle and towards the front of the vehicle on the wheelchair restraint system;

(d) the forces shall be applied simultaneously.

3.8.1.2.2. In forward direction in the case of a combined wheelchair and wheelchair user restraint system.

3.8.1.2.2.1. For category M_2 ;

(a) 1 110 daN \pm 20 daN in an angle of $45^{\circ} \pm 10^{\circ}$ to the horizontal plane of the vehicle and towards the front of the vehicle on the wheelchair user restraint system in the case of a lap belt;

(b) 675 daN \pm 20 daN in an angle of $45^{\circ} \pm 10^{\circ}$ to the horizontal plane of the vehicle and towards the front of the vehicle on the lap portion of the belt and 675 daN \pm 20 daN in the horizontal

plane of the vehicle and towards the front of the vehicle on the torso portion of the belt in the case of 3-point belt;

(c) 1 715 daN \pm 20 daN in an angle of 45° \pm 10° to the horizontal plane of the vehicle and towards the front of the vehicle on the wheelchair restraint system;

(d) the forces shall be applied simultaneously.

3.8.1.2.2.2. For category M₃:

(a) 740 daN \pm 20 daN in an angle of 45° \pm 10° to the horizontal plane of the vehicle and towards the front of the vehicle on the wheelchair user restraint system in the case of a lap belt;

(b) 450 daN \pm 20 daN in an angle of 45° \pm 10° to the horizontal plane of the vehicle and towards the front of the vehicle on the lap portion of the belt and 450 daN \pm 20 daN in the horizontal plane of the vehicle and towards the front of the vehicle on the torso portion of the belt in the case of 3-point belt;

(c) 1 130 daN \pm 20 daN in an angle of 45° \pm 10° to the horizontal plane of the vehicle and towards the front of the vehicle on the wheelchair restraint system;

(d) the forces shall be applied simultaneously.

3.8.1.2.3. In rearward direction:

(a) 810 daN \pm 20 daN in an angle of 45° \pm 10° to the horizontal plane of the vehicle and towards the rear of the vehicle on the wheelchair restraint system.

3.8.2. Alternative wheelchair restraint system:

3.8.2.1. *a wheelchair space shall be fitted with a wheelchair restraint system suitable for general wheelchair application and shall allow the carriage of a wheelchair and a wheelchair user facing the front of the vehicle;*

3.8.2.2. *a wheelchair space shall be fitted with a wheelchair user restraint system which shall comprise of a minimum of two anchorage points and a pelvic restraint (lap belt) designed and constructed of components intended to perform in a similar manner to those of a seat belt conforming to Regulation No. 16;*

3.8.2.3. *any restraint system fitted to a wheelchair space shall be capable of being easily released in the case of an emergency;*

3.8.2.4. *any wheelchair restraint system shall either:*

3.8.2.4.1. *meet the dynamic test requirements described in paragraph 3.8.2.8. and be securely attached to vehicle anchorages meeting the static test requirements in paragraph 3.8.2.6.; or*

- 3.8.2.4.2. *be securely attached to vehicle anchorages such that the combination of restraint and anchorages meets the requirements of paragraph 3.8.2.8.*
- 3.8.2.5. *any wheelchair user restraint shall either:*
- 3.8.2.5.1. *meet the dynamic test requirements described in paragraph 3.8.2.9. and be securely attached to vehicle anchorages meeting the static test requirements in paragraph 3.8.2.6.; or*
- 3.8.2.5.2. *be securely attached to vehicle anchorages such that the combination of restraint and anchorages meets the dynamic test requirements described in paragraph 3.8.2.9. when attached to anchorages set up as described in paragraph 3.8.2.6.7.*
- 3.8.2.6. *A static test shall be carried out on the anchorage points for both the wheelchair restraint system and the wheelchair user restraint in accordance with the following requirements:*
- 3.8.2.6.1. *the forces specified in paragraph 3.8.2.7. shall be applied by means of a device reproducing the geometry of the wheelchair restraint system;*
- 3.8.2.6.2. *the forces specified in paragraph 3.8.2.7.3. shall be applied by means of a device reproducing the geometry of the wheelchair user restraint and by means of a traction device specified in paragraph 5.3.4. of annex I of Regulation No. 14.*
- 3.8.2.6.3. *the forces in paragraph 3.8.2.6.1. and paragraph 3.8.2.6.2. shall be applied simultaneously in the forward direction and at an angle of $10^{\circ} \pm 5^{\circ}$ above the horizontal plane;*
- 3.8.2.6.4. *the forces in paragraph 3.8.2.6.1. shall be applied in the rearward direction and at an angle of $10^{\circ} \pm 5^{\circ}$ above the horizontal plane;*
- 3.8.2.6.5. *the forces shall be applied as rapidly as possible through the central vertical axis of the wheelchair space; and*
- 3.8.2.6.6. *the force shall be maintained for a period of not less than 0.2 seconds.*
- 3.8.2.6.7. *the test shall be carried out on a representative section of the vehicle structure together with any fitting provided in the vehicle which is likely to contribute to the strength or rigidity of the structure.*
- 3.8.2.7. *The forces specified in paragraph 3.8.2.6. are:*
- 3.8.2.7.1. *in the case of anchorages provided for a wheelchair restraint system fitted to a category M₂ vehicle:*
- 3.8.2.7.1.1. *1 110 daN applied in the longitudinal plane of the vehicle and towards the front of the vehicle at a height of not less than 20 cm and not more than 30 cm measured vertically from the floor of the wheelchair space, and*
- 3.8.2.7.1.2. *550 daN applied in the longitudinal plane of the vehicle and towards the rear of the vehicle at a height of not less than*

20 cm and not more than 30 cm measured vertically from the floor of the wheelchair space;

- 3.8.2.7.2. in the case of anchorages provided for a wheelchair restraint system fitted to a category M₃ vehicle
 - 3.8.2.7.2.1. 740 daN applied in the longitudinal plane of the vehicle and towards the front of the vehicle at a height of not less than 20 cm and not more than 30 cm measured vertically from the floor of the wheelchair space, and
 - 3.8.2.7.2.2. 370 daN applied in the longitudinal plane of the vehicle and towards the rear of the vehicle at a height of not less than 20 cm and not more than 30 cm measured vertically from the floor of the wheelchair space;
- 3.8.2.7.3. in the case of anchorages provided for a wheelchair user restraint system the forces shall be in accordance with the requirements of paragraph 5.4. of annex 1 to Regulation No. 14.
- 3.8.2.8. A wheelchair restraint system shall be subject to a dynamic test carried out in accordance with the following requirements:
 - 3.8.2.8.1. a representative wheelchair test trolley of mass 85 kg shall, from a speed of between 48 km/h to 50 km/h to rest, be subject to a deceleration-time pulse:
 - 3.8.2.8.1.1. exceeding 20 g in the forward direction for a cumulative period of at least 0.015 seconds;
 - 3.8.2.8.1.2. exceeding 15 g in the forward direction for a cumulative period of at least 0.04 seconds;
 - 3.8.2.8.1.3. exceeding a duration of 0.075 seconds;
 - 3.8.2.8.1.4. not exceeding 28 g and for not more than 0.08 seconds;
 - 3.8.2.8.1.5. not exceeding a duration of more than 0.12 seconds, and
 - 3.8.2.8.2. a representative wheelchair test trolley of mass 85 kg shall, from a speed of between 48 km/h to 50 km/h to rest, be subject to a deceleration-time pulse:
 - 3.8.2.8.2.1. exceeding 5 g in the rearward direction for a cumulative period of at least 0.015 seconds;
 - 3.8.2.8.2.2. not exceeding 8 g in the rearward direction and for not more than 0.02 seconds;
 - 3.8.2.8.3. the test in paragraph 3.8.2.2. shall not apply if the same restraints are used for the forward and rearward direction or if an equivalent test has been conducted;
 - 3.8.2.8.4. for the above test, the wheelchair restraint system shall be attached to either:
 - 3.8.2.8.4.1. anchorages fixed to the test rig which represents the geometry of the anchorages in a vehicle for which the restraint system is intended, or

- 3.8.2.8.4.2. anchorages forming part of a representative section of the vehicle for which the restraint system is intended, set up as described in paragraph 3.8.2.6.7.
- 3.8.2.9. A wheelchair occupant restraint shall comply with the test requirements specified in paragraph 2.7.8.4. of annex 1 of Regulation No. 16 or an equivalent test to the deceleration-time pulse in paragraph 3.8.2.8.1. A seat belt approved to Regulation No. 16 and so marked shall be deemed to comply.
- 3.8.2.10. A test in paragraph 3.8.2.6., 3.8.2.8. or 3.8.2.9. shall be deemed to have failed unless the following requirements are met:
- 3.8.2.10.1. no part of the system shall have failed, or shall have become detached from its anchorage or from the vehicle during the test;
- 3.8.2.10.2. mechanisms to release the wheelchair and user shall be capable of release after completion of the test;
- 3.8.2.10.3. in the test in paragraph 3.8.2.8. the wheelchair shall not move more than 20 cm in the longitudinal plane of the vehicle during the test;
- 3.8.2.10.4. no part of the system shall be deformed to such an extent after completion of the test that, because of sharp edges or other protrusions, the part is capable of causing injury.
- 3.8.2.11. Its operating instructions shall be clearly displayed adjacent to it.
- 3.8.3. In alternative to the provisions of paragraph 3.8.1.1., the wheelchair space shall be designed for the wheelchair user to travel unrestrained with the wheelchair facing rearwards against a support or backrest, in accordance with the following provisions:
- 3.8.3.1. one of the longitudinal sides of the space for a wheelchair shall rest against a side or wall of the vehicle;
- 3.8.3.2. a support or backrest perpendicular to the longitudinal axis of the vehicle shall be provided in the forward end of the wheelchair space;
- 3.8.3.3. the support or backrest shall be designed for the wheels or the back of the wheelchair to rest against the support or backrest in order to avoid the wheelchair from tipping over;
- 3.8.3.4. the support or backrest of the seat row in front shall be able to withstand a force of 250 daN \pm 20 daN per wheelchair. The force shall be applied in the horizontal plane of the vehicle and towards the front of the vehicle in the middle of the support or backrest. The force shall be maintained for a period of not less than 1.5 seconds;
- 3.8.3.5. a handrail or handhold shall be fitted to the side or wall of the vehicle in such a way to allow the wheelchair user to grasp it easily;

- 3.8.3.6. a retractable handrail or any equivalent device shall be fitted on the opposite side of the wheelchair space in order to restrict any lateral shift of the wheelchair and to allow the wheelchair user to grasp it easily;
- 3.8.3.7. the floor surface of the special area shall be slip-resistant;
- 3.8.3.8. a sign shall be fixed adjacent to the wheelchair area with the following text: "This space is reserved for a wheelchair. The wheelchair must be placed facing rearwards resting against the support or backrest with the brakes on"
- 3.9. Door controls
- 3.9.1. Any opening control adjacent to a door referred to in paragraph 3.6., whether being outside or inside of the vehicle, shall not be higher than 130 cm from the ground or the floor.
- 3.10. Lighting
- 3.10.1. Adequate lighting shall be provided to illuminate the area inside and immediately outside the vehicle to allow people with reduced mobility to board and alight in safety. Any lighting likely to affect the driver's vision shall operate only while the vehicle is at rest.
- 3.11. Provisions for boarding aids
- 3.11.1. General requirements:
- 3.11.1.1. The controls actuating the boarding aids shall be clearly marked as such. The extended or lowered position of the boarding aid shall be indicated by a tell-tale to the driver.
- 3.11.1.2. In the event of the failure of a safety device, lifts, ramps and kneeling systems shall be incapable of operation, unless they can be safely operated by manual effort. The type and location of the emergency operating mechanism shall be clearly marked. In the event of power failure, lifts and ramps must be capable of manual operation.
- 3.11.1.3. Access to one of the service or emergency doors on the vehicle may be obstructed by a boarding aid providing the following two conditions are satisfied from both inside and outside the vehicle.
- 3.11.1.3.1. The boarding device does not obstruct the handle or other device for opening the door.
- 3.11.1.3.2. The boarding device can be readily moved to leave the doorway clear for use in an emergency.
- 3.11.2. Kneeling system
- 3.11.2.1. A switch shall be required to enable operation of the kneeling system.
- 3.11.2.2. Any control which initiates the lowering or raising of any part or the whole of the bodywork relative to the road surface must be clearly identified and be under the direct control of the driver.

- 3.11.2.3. *The lowering or raising process shall be capable of being stopped and immediately reversed by a control both within the reach of the driver, whilst seated in the cab, and also adjacent to any other operating controls provided for the operation of the kneeling system.*
- 3.11.2.4. *Any kneeling system, which is fitted to a vehicle shall not:*
- 3.11.2.4.1. *allow the vehicle to be driven at a speed of more than 5 km/h when the vehicle is lower than the normal height of travel, or*
- 3.11.2.4.2. *allow the vehicle to be raised or lowered when the operation of the service door is prevented for any reason.*
- 3.11.3. *Lift*
- 3.11.3.1. *General provisions*
- 3.11.3.1.1. *Lifts shall only be capable of operation when the vehicle is at standstill. When raising of the platform and before lowering is initiated a device preventing the wheelchair from rolling off shall automatically come into operation.*
- 3.11.3.1.2. *The lift platform shall not be less than 80 cm wide, and not less than 120 cm long and shall be capable of operating when carrying a mass of at least 300 kg.*
- 3.11.3.2.1. *Additional technical requirements for power-operated lifts*
- 3.11.3.2.1. *The operating mechanism shall be designed in such a way that, if released, it automatically returns to the off position. As it does so the movement of the lift shall immediately be stopped and it shall be possible to initiate a movement in either direction.*
- 3.11.3.2.2. *A safety device (e.g. reversing mechanism) shall protect areas not visible to the operator, where the movement of the lift might trap or crush objects.*
- 3.11.3.2.3. *In the event of one of these safety devices coming into operation, the movement of the lift shall immediately be stopped and movement in the opposite direction initiated.*
- 3.11.3.3. *Operation of power operated lifts*
- 3.11.3.3.1. *Where the lift is at a service door situated within the direct field of vision of the driver of the vehicle, the lift may be operated by the driver when in the driver's seat.*
- 3.11.3.3.2. *In all others cases, the controls shall be adjacent to the lift. They shall be capable of being activated and deactivated only by the driver from his seat.*
- 3.11.3.4. *Manually operated lift*
- 3.11.3.4.1. *The lift shall be designed for operation by controls adjacent to the lift.*
- 3.11.3.4.2. *The lift shall be so designed that excessive forces are not required to operate it.*

- 3.11.4. Ramp
- 3.11.4.1. General provisions
- 3.11.4.1.1. The ramp shall only be capable of operation when the vehicle is at a standstill.
- 3.11.4.1.2. Edges on the outside shall be rounded to a radius of no less than 2.5 mm. Corners on the outside shall be rounded to a radius of not less than 5 mm.
- 3.11.4.1.3. The ramp shall be at least 80 cm wide. The slope of the ramp, when extended or folded out on to a kerb of 15 cm in height, should not exceed 12 per cent. A kneeling system may be used to achieve this test.
- 3.11.4.1.4. Any ramp which when ready for use exceeds 120 cm in length shall be fitted with a device to prevent the wheelchair rolling off the sides.
- 3.11.4.1.5. Any ramp shall be capable of operating safely with a load of 300 kg.
- 3.11.4.2. Modes of operation
- 3.11.4.2.1. Extension and retraction of the ramp may be carried out either manually or power-operated.
- 3.11.4.3. Additional technical requirements for power-operated ramps
- 3.11.4.3.1. Extension and retraction of the ramp shall be indicated by flashing yellow lights and an audible signal; the ramps shall be identifiable by clearly visible red and white retro-reflecting hazard markings on the outer edges.
- 3.11.4.3.2. Extension of the ramp in the horizontal direction shall be protected by a safety device.
- 3.11.4.3.3. In the event of one of these safety devices coming into operation, the movement of the ramp shall immediately be stopped.
- 3.11.4.3.4. The horizontal movement of a ramp shall be interrupted when it is loaded with a mass of 15 kg.
- 3.11.4.4. Operation of power-operated ramps
- 3.11.4.4.1. Where the ramp is at a service door situated within the direct field of vision of the driver of the vehicle, the ramp may be operated by the driver when in the driver's seat.
- 3.11.4.4.2. In all others cases, the controls shall be adjacent to the ramp. They shall be capable of being activated and deactivated only by the driver from his seat.
- 3.11.4.5. Operation of manually-operated ramp
- 3.11.4.5.1. The ramp shall be so designed that excessive forces are not required to operate the ramp.
-

Annex 8

**TYPE-APPROVAL FOR A SEPARATE TECHNICAL UNIT AND TYPE-APPROVAL OF A VEHICLE
FITTED WITH A BODYWORK ALREADY APPROVED AS A SEPARATE TECHNICAL UNIT**

1. *Separate technical unit type-approval.*
 - 1.1. *In order to be granted separate technical unit type-approval to this Regulation for a vehicle bodywork, the manufacturer must demonstrate to the satisfaction of the approval authority the accomplishment of the conditions declared by the manufacturer. The remaining conditions to this Regulation must be accomplished and demonstrated according to paragraph 2.*
 - 1.2. *Approval may be granted subject to conditions to be met by the completed vehicle (for example, characteristics of suitable chassis, restriction on use or installation), these restrictions being recorded on the approval certificate.*
 - 1.3. *Any such conditions must be communicated to the purchaser of the vehicle bodywork or the next stage builder of the vehicle in an appropriate form.*
 2. *Type-approval of a vehicle fitted with a bodywork already approved as a separate technical unit.*
 - 2.1. *In order to be granted type-approval to this Regulation for a vehicle fitted with a bodywork which has already been granted approval as a separate technical unit, the manufacturer must demonstrate to the satisfaction of the approval authority compliance with the requirements of this Regulation that would not have already been accomplished and demonstrated according to paragraph 1., considering any previous type-approval as uncompleted vehicle.*
 - 2.2. *Any requirements established according to paragraph 1.2. must be fulfilled.*
-

Annex 9

SAFETY PRESCRIPTIONS FOR TROLLEYBUSES

1. *DEFINITIONS*

For the purpose of this annex:

- 1.1. *Contact system voltage*
Trolleybuses can be supplied with contact system voltage of rated value of:
- 600 V (a working range of 400 V to 720 V);
 - 750 V (a working range of 500 V to 900 V).
- 1.2. *Electrical circuits of trolleybus*
- 1.2.1. *"high voltage circuits" means circuits supplied with contact system voltage;*
- 1.2.2. *"low voltage circuits" means circuits supplied with accumulator battery voltage and with a charger outlet of nominal 24 V voltage.*
- 1.2.3. *"three phase circuits" means circuits supplied with a second converter outlet of three phase voltage not exceeding 400 V AC.*
- 1.3. *Rated climatic conditions*
Trolleybuses are intended to provide reliable transit service in the environmental conditions with:
- (a) a temperature range of minus 40 C to plus 40 C;
 - (b) an relative humidity of 98 per cent at temperature of 25 C and lower;
 - (c) an atmospheric pressure of 866 to 1066 kPa;
 - (d) altitude from sea level to 1000 m maximum.
- 1.4. *"Self extinguishing material" means a material which does not continue to burn when the ignition source is removed.*

2. *POWER COLLECTION*

- 2.1. *Electrical power from overhead wires is fed to the trolleybus via power collectors. Each power collector is comprised of a pole, a trolley electric current collector and a replaceable collector insert. Power collectors are hinged to trolleybuses, and capable of turning in horizontal and vertical directions.*
- 2.2. *Poles shall be made of insulated material or metal covered with insulating material resistant to mechanical shocks.*
- 2.3. *Power collectors shall be designed to maintain adequate positive contact with the overhead trolley electric supply wires when the wires are located at 4 to 6 metres above the ground and shall allow a trolleybus axis-to-axis deviation distance of at least 4.0 meters to each side with respect to the axis of the overhead wires.*
- 2.4. *In the event that one or both pole(s) dewire, the trolley electric current collector(s) shall not be raised higher than 7.2 metres above the road, or 1 metre maximum above electrical supplied lines at the time of de-wiring, and shall not be declined lower than 0.5 metres above the roof of the trolleybus.*

- 2.5. *Each power collector shall be equipped with a device which pulls the pole automatically down if the pole dewires.*
- 2.6. *The trolley electric current collector, if wrenched out of the pole, shall be kept connected to the pole and shall not fall down.*
- 2.7. *Insulation resistance of the electric current collector to trolley bases shall be at least 10 MΩ:*
- 2.8. *Power collectors may be equipped with remote control from the driver's compartment at least for dewiring.*
- 2.9. *Certain arrangements at the trolleybus shall provide an opportunity for the driver to replace, if necessary, power collector inserts whilst in service.*
3. *TRACTION AND AUXILIARY EQUIPMENT*
- 3.1. *Electrical components installed on the trolleybus shall be protected against over-voltage and short-circuit current. The protection shall preferably be assured by current-breaking apparatus that are reset automatically, remotely or manually.*
- 3.2. *Electrical components shall be protected against commutation or atmospheric over-voltage.*
- 3.3. *Current-breaking apparatus shall provide interruption of particular damaged circuits.*
- 3.4. *If any circuit includes single current-breaking apparatus, it shall be installed in the positive wire of the circuit.*
- 3.5. *All electrical circuits and circuit branches shall be of dual wiring. The trolleybus body can be used for current return grounds only for low voltage electrical circuits.*
- 3.6. *Battery cases, accumulator covers and battery compartment trays shall be made of non-flammable or self-extinguishing materials.*
- 3.7. *Electrical components energized by the trolley line voltage shall have additional insulation from the body and transmission.*
- 3.8. *Electrical components with exemption of traction resistors shall be protected against penetration of moisture and dust inside the body and on insulated and current conducting parts.*
- 3.9. *At rated climate conditions for dry and clean trolleybus insulation resistance of electrical circuits when all rotating machines and apparatus are switched on shall not be less than:*
 - *body to high voltage electrical circuits 5 MΩ*
 - *high voltage electrical circuits to low electrical circuits 5 MΩ*
 - *body to positive pole of low voltage electrical circuits 1 MΩ*
- 3.10. *Wiring, Cabling and Apparatus*
- 3.10.1. *Only multi-line wires shall be used for high voltage circuits. All high voltage DC wiring shall have insulation rated for 3000 V DC or AC.*

- 3.10.2. *Mounted wiring and cabling should not be stressed mechanically.*
- 3.10.3. *Wiring insulation shall not propagate burning.*
- 3.10.4. *Wiring of different voltages shall be mounted separately.*
- 3.10.5. *Cabling conduits shall be made of non-flammable material.*
- 3.10.6. *Cabling tubes located under the floor shall exclude propagation of water and dust.*
- 3.10.7. *Cabling and wiring located under the trolleybus shall be inserted into conduit protecting against water and dust.*
- 3.10.8. *Fastening and arrangement of wiring and cables shall exclude damage (fraying) of insulation. Grommets of elastomeric material shall be provided at points where wiring penetrates metal structure to exclude insulation damage. Radius of bound tubes containing wiring shall be five external diameters of the tube minimum.*
- 3.10.9. *Location of wiring in apparatus breaking off electrical current shall exclude skipping the electrical arch onto the wiring.*
- 3.10.10. *Precautions shall be taken to avoid damage of wiring and cables from heated resistors and other electrical components. In critical areas thermo-resistant wires or cables shall be used.*
- 3.10.11. *Wiring holders, connectors and other devices for mounting shall be made of non-flammable or self-extinguishing materials. Electrical components of the hardly flammable materials may be installed outside passenger compartment only.*
- 3.10.12. *Test voltage U_{test} for electrical equipment, wiring and cabling for high voltage circuits shall be of value of:*
$$U_{test} = 2.5 U + 2000 \text{ V AC,}$$
where U - rated voltage of the contact system
Test voltage for low voltage equipment $U_{test} = 750 \text{ V AC}$. The test voltage at frequency of 50 Hz shall be approximately sinusoidal form. The time of application of the test voltage is fixed at 1 min.
- 3.11. *Electrical machines, apparatus, devices, wiring and cables shall withstand mechanical affects, applied to fixations, as follows:*
(i) sine-wave form vibration of 0.5 - 55 Hz frequency and 10 m/s² maximum amplitude including resonance, if produced;
(ii) discrete shocks of 30 m/s² peak shock acceleration lasting 2 - 20 ms in vertical direction.
4. *ELECTRICAL SAFETY OF PASSENGERS AND SERVICE PERSONEL*
- 4.1. *At rated climate conditions for dry and clean trolleybus connected with both power collectors to wire of positive polarity and negative polarity of the contact system to "the ground" leakage current from the body shall not be higher than 0.2 mA (grounded contact system).*
- 4.2. *Trolleybus must be equipped with onboard device for permanent monitoring of leakage current or voltage between chassis and the*

road surface. The device shall disconnect the high voltage circuits from the contact system in case of leakage current exceeding 3 mA at a voltage of 600 V DC, or the voltage of more than 40 V.

- 4.3. Stanchions at doorways shall be made of insulated material or plated with mechanically durable insulation or be insulated from the trolley-bus body. Insulation resistance shall at least be 1.0 MΩ on a contact square of $100 \pm 5 \text{ cm}^2$.
- 4.4. The first steps shall be made of insulated material or plated with mechanically durable insulation. Insulation resistance shall at least be 1.0 MΩ at a square of contact of $300 \pm 5 \text{ cm}^2$.
- 4.5. Door panels shall be made of insulated material or insulated from the trolleybus body. Insulation resistance shall be 1.0 MΩ at least at a contact square on the panel of $300 \pm 5 \text{ cm}^2$.
- 4.6. Sidewall area adjacent to the door apertures shall be plated with insulation. The insulated area shall extend at least 50 cm wide each side of the door apertures and at least 200 cm high from the roadway. Insulation resistance in respect to the trolleybus body shall not be less than 1.0 MΩ at a square of contact of $200 \pm 5 \text{ cm}^2$.
- 4.7. If the trolleybus is equipped with double-insulated converters, paragraphs 4.3. to 4.6. need not be applied.

5. THE DRIVER'S COMPARTMENT

- 5.1. In the driver's compartment there should not be high voltage equipment accessible for the driver.
- 5.2. As a minimum, the instrument panel shall be consistent of an:
- 5.2.1. indicator of voltage in the contact system;
- 5.2.2. indicator of zero voltage in the contact system;
- 5.2.3. indicator of main automatic switch of contact system voltage state;
- 5.2.4. indicator of charge/discharge of the batteries;
- 5.2.5. indicator of dangerous potential on the body or leakage current exceeding permissible value.
-