

World Forum for Harmonization of Vehicle Regulations (WP.29)

Working Party on Passive Safety (GRSP)
(Thirty-seventh session, 23-27 May 2005,
agenda item B.1.8.)

PROPOSAL FOR DRAFT AMENDMENTS TO REGULATION No. 11

(Door latches and door retention components)

Corrigendum to document TRANS/WP.29GRSP/2005/9

Transmitted by the expert from the European Commission (EC)

Paragraph 2.9., amend to read:

"2.9. "Door closure warning system" is a system that will activate a visual signal located where it can be clearly seen by the driver when a door latch system is not in its fully latched position and while the vehicle ignition is activated".

Insert new paragraph 2.10., to read:

"2.10. "Door Hinge System" is one or more hinges used to support a door."

Paragraphs 2.15. and 2.16., should be deleted

Paragraphs 2.17. to 2.29., renumber as 2.15. to 2.27. respectively.

Paragraph 2.18. (new), amend to read:

"2.18. "Hinge" is a device used to position the door relative to the body structure and control the path of the door swing for passenger ingress and egress"

Paragraphs 2.24. and 2.25., amend to read:

"2.24. "Side front door" is a door that, in a side view, has 50 per cent or more of its opening area forward of the rearmost point on the driver's seat back, when the seat back is adjusted to its most vertical and rearward position, providing direct access for passengers to enter or depart the vehicle.

2.25. "Side rear door" is a door that, in a side view, has 50 per cent or more of its opening area to the rear of the rearmost point on the driver's seat back, when the driver's seat is adjusted to its most vertical and rearward position, providing direct access for passengers to enter or depart the vehicle."

Paragraphs 6.1.4.1. to 6.1.4.3., replace the "0.3 N" by "30 g" once in each paragraph.

Paragraph 6.1.5.4.(b)., amend to read:

".....shall be provided for those doors."

Replace Annex 3, Figure 3-4 with the following figure:

"

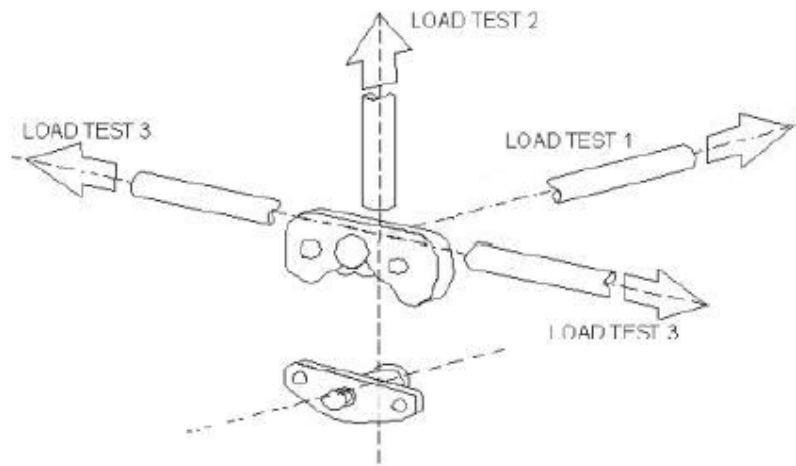


Figure 3-4: Door Static Load Test Directions."
